

Hypertherm[®]

2018 torch and consumables catalog

For Powermax[®] and MAX[®] plasma systems







Hypertherm® technical service

Hypertherm Inc.
 Etna Road, P.O. Box 5010
 Hanover, NH 03755 USA
 603-643-3441 Tel (Main office)
 603-643-5352 Fax (All departments)
 info@hypertherm.com (Main office email)
 800-643-9878 Tel (Technical service)
 technical.service@hypertherm.com
 (Technical service)
 800-737-2978 Tel (Customer service)
 customer.service@hypertherm.com
 (Customer service)
 866-643-7711 Tel (Return Materials
 Authorization RMA)
 877-371-2876 Fax (RMA)
 return.materials@hypertherm.com (RMA)

Hypertherm México, S.A. de C.V.
 Avenida Toluca No. 444, Anexo 1,
 Colonia Olivar de los Padres
 Delegación Álvaro Obregón
 México, D.F. C.P. 01780
 52 55 5681 8109 Tel
 52 55 5683 2127 Fax
 Soporte.Tecnico@hypertherm.com
 (Technical service)

South America & Central America:
 Hypertherm Brasil Ltda.
 Rua Bras Cubas, 231 – Jardim Maia
 Guarulhos, SP – Brasil
 CEP 07115-030
 55 11 2409 2636 Tel
 tecnico.sa@hypertherm.com (Technical service)

Hypertherm Plasmatechnik GmbH
 Sophie-Scholl-Platz 5
 63452 Hanau
 Germany
 00 800 33 24 97 37 Tel
 00 800 49 73 73 29 Fax
 31 (0) 165 596900 Tel (Technical service)
 00 800 4973 7843 Tel (Technical service)
 technicalservice.emea@hypertherm.com
 (Technical service)

Hypertherm Europe B.V.
 Vaartveld 9, 4704 SE
 Roosendaal, Nederland
 31 165 596907 Tel
 31 165 596901 Fax
 31 165 596908 Tel (Marketing)
 31 (0) 165 596900 Tel (Technical service)
 00 800 4973 7843 Tel (Technical service)
 technicalservice.emea@hypertherm.com
 (Technical service)

Hypertherm (Singapore) Pte Ltd.
 82 Genting Lane
 Media Centre
 Annexe Block #A01-01
 Singapore 349567, Republic of Singapore
 65 6841 2489 Tel
 65 6841 2490 Fax
 Marketing.asia@hypertherm.com (Marketing)
 TechSupportAPAC@hypertherm.com
 (Technical service)

Hypertherm Japan Ltd.
 Level 9, Edobori Center Building
 2-1-1 Edobori, Nishi-ku
 Osaka 550-0002 Japan
 81 6 6225 1183 Tel
 81 6 6225 1184 Fax
 HTJapan.info@hypertherm.com (Main office)
 TechSupportAPAC@hypertherm.com
 (Technical service)

Hypertherm (Shanghai) Trading Co., Ltd.
 B301, 495 ShangZhong Road
 Shanghai, 200231
 PR China
 86-21-80231122 Tel
 86-21-80231120 Fax
 86-21-80231128 Tel (Technical service)
 techsupport.china@hypertherm.com
 (Technical service)

Hypertherm Korea Branch
 #3904, APEC-ro 17, Heaundae-gu. Busan.
 Korea 48060
 82 (0)51 747 0358 Tel
 82 (0)51 701 0358 Fax
 Marketing.korea@hypertherm.com (Marketing)
 TechSupportAPAC@hypertherm.com
 (Technical service)

Hypertherm Pty Limited
 GPO Box 4836
 Sydney NSW 2001, Australia
 61 (0) 437 606 995 Tel
 61 7 3219 9010 Fax
 au.sales@hypertherm.com (Main office)
 TechSupportAPAC@hypertherm.com
 (Technical service)

Hypertherm (India) Thermal Cutting Pvt. Ltd
 A-18 / B-1 Extension,
 Mohan Co-Operative Industrial Estate,
 Mathura Road, New Delhi 110044, India
 91-11-40521201/ 2/ 3 Tel
 91-11 40521204 Fax
 HTIndia.info@hypertherm.com (Main office)
 TechSupportAPAC@hypertherm.com
 (Technical service)

Contents

- 4 Systems and torch series by amperage
- 6 Powermax30® XP
 - 7 Duramax® LT hand torch parts
- 8 Powermax30® AIR
 - 9 AIR T30 hand torch parts
- 10 Powermax45® XP
 - 12 Duramax® Lock 75° hand torch parts
 - 13 Duramax® Lock 15° hand torch parts
 - 14 Duramax® Lock 180° machine torch parts
 - 15 Duramax® 180° mini machine torch parts
 - 16 Duramax® 180° robotic torch parts
 - 17 Duramax® 90° robotic torch parts
 - 18 Duramax® 45° robotic torch parts
- 20 Powermax65®
 - 22 Duramax® 75° hand torch parts
 - 23 Duramax® 15° hand torch parts
 - 24 Duramax® 180° machine torch parts
 - 25 Duramax® 180° mini machine torch parts
 - 26 Duramax® 180° robotic torch parts
 - 27 Duramax® 90° robotic torch parts
 - 28 Duramax® 45° robotic torch parts
- 30 Powermax85®
 - 32 Duramax® 75° hand torch parts
 - 33 Duramax® 15° hand torch parts
 - 34 Duramax® 180° machine torch parts
 - 35 Duramax® 180° mini machine torch parts
 - 36 Duramax® 180° robotic torch parts
 - 37 Duramax® 90° robotic torch parts
 - 38 Duramax® 45° robotic torch parts
- 40 Powermax105®
 - 42 Duramax® 75° hand torch parts
 - 43 Duramax® 15° hand torch parts
 - 44 Duramax® 180° machine torch parts
 - 45 Duramax® 180° mini machine torch parts
 - 46 Duramax® 180° robotic torch parts
 - 47 Duramax® 90° robotic torch parts
 - 48 Duramax® 45° robotic torch parts
- 50 Powermax125®
 - 52 Duramax® Hyamp™ 85° hand torch parts
 - 53 Duramax® Hyamp™ 15° hand torch parts
 - 54 Duramax® Hyamp™ 180° full-length machine torch parts
 - 55 Duramax® Hyamp™ mini machine torch parts
 - 56 Duramax® Hyamp™ 180° robotic torch parts
 - 57 Duramax® Hyamp™ 90° robotic torch parts
 - 58 Duramax® Hyamp™ 45° robotic torch parts
 - 59 Duramax® Hyamp™ 45° long hand torch replacement parts
- 61 Duramax® Hyamp™ 90° long hand torch replacement parts
- 66 Powermax30®
 - 67 T30v hand torch parts
- 68 Powermax45®
 - 70 T45v hand torch parts
 - 71 T45m machine torch parts
 - 74 Duramax® 75° hand torch parts
 - 74 Duramax® 15° hand torch parts
 - 75 Duramax® 180° machine torch parts
 - 75 Duramax® 180° mini machine torch parts
 - 76 Duramax® 180° robotic torch parts
 - 76 Duramax® 90° robotic torch parts
 - 77 Duramax® 45° robotic torch parts
- 78 Powermax380®
 - 79 PAC110T hand torch parts
- 80 Powermax350®
 - 81 PAC110 hand torch parts
- 82 MAX20®
 - 83 PAC110 hand torch parts
- 84 Powermax190c®
 - 85 PAC105T hand torch parts
- 86 Powermax600®
 - 87 PAC123T hand torch parts
 - 88 PAC123M machine torch parts
- 90 MAX40cs/42/43®
 - 91 PAC121TS/PAC125T hand torch parts
 - 92 PAC121P hand torch parts
- 94 MAX40®/HT40®
 - 95 PAC140 hand torch parts
 - 96 MAX40®/HT40® machine torch parts
- 98 HT40®/HT40C
 - 99 HT40®/HT40C® torch parts
- 100 Powermax1000®
 - 102 T60 hand torch parts
 - 103 T60M machine torch parts
- 104 Powermax900®
 - 105 PAC125T hand torch parts
 - 106 PAC125M machine torch parts
- 108 Powermax800®
 - 110 PAC121TS/PAC125T hand torch parts
 - 111 PAC121M/PAC125M machine torch parts
- 112 Powermax1250®
 - 114 T80 hand torch parts
 - 115 T80M machine torch parts
- 116 Powermax1100®
 - 117 PAC135T hand torch parts
 - 118 PAC135M machine torch parts

- 120 **MAX70/MAX100®**
- 121 PAC130 hand torch parts
- 122 MAX70/MAX100 machine torch parts

- 124 **Powermax1650®**
- 126 T100 hand torch parts
- 127 T100M machine torch parts
- 128 T100M-2 machine torch parts

- 130 **MAX100D®**
- 132 PAC160/E hand torch parts
- 133 MAX100D machine torch parts

- 134 **Duramax® HRT/HRTs/MRT retrofit torch**
- 136 Duramax® HRT/HRTs hand torch parts
- 137 Duramax® MRT machine torch parts

- 138 **Duramax® HRT/MRT retrofit torch**
- 140 Duramax® HRT hand torch parts
- 141 Duramax® MRT machine torch parts

- 142 **RT60/RT60M retrofit torch**
- 144 RT60 hand torch parts
- 145 RT60M machine torch parts

- 146 **RT80/RT80M retrofit torch**
- 148 RT80 hand torch parts
- 149 RT80M machine torch parts

- 151 **Appendix**
- 151 MAX42® and MAX43® systems Duramax® retrofit torches
- 151 Powermax600® Duramax retrofit torches
- 152 Powermax800® and Powermax900® Duramax® retrofit torches
- 152 Powermax1000® T100 replacement torches
- 153 Powermax1000® Duramax® retrofit torches
- 153 Powermax1100® RT80 torch replacements
- 153 Powermax1250® Duramax® retrofit torches
- 154 Powermax1250® T100 replacement torches
- 154 Powermax1650® Duramax® replacement torches
- 154 Powermax1650® T100 replacement torches
- 155 Powermax65® Duramax® replacement torches
- 155 Powermax85® Duramax® replacement torches
- 155 Powermax65® and Powermax85® torch and lead replacement kits


Systems and torch series by amperage


Match the color code to the consumable packaging to select the correct consumables by torch series.





Color code	Torch series
	Duramax® LT
	T30 / T45v / T45m
	T30 AIR
	Duramax®, Duramax® Lock, and Duramax® RT
	Duramax® Hvamp™
	Legacy¹

¹Not all consumables for Legacy torches are available. Please check pages in the guide carefully for recommended upgrade options.

	Page	System	Amperage	Torch series			
				Current	Optional	Recommended upgrade	No longer available. See recommended upgrade column.
 ≤ 30 amp range	6	Powermax30® XP	30				
	8	Powermax30 AIR	30				
	66	Powermax30	30				
	72	Powermax380	25				
	74	Powermax350	25				
	76	MAX20®	20				
	78	Powermax190c	12				

 40-45 amp range	10	Powermax45 XP	45				
	68	Powermax45	45				
	80	Powermax600	40				PAC123T/PAC123M
	84	MAX40cs/MAX42/MAX43	40				PAC120P/PAC120P PAC121TS/PAC125T
	88	MAX40/HT40®	40				
	92	HT40/HT40C	40				

	Page	System	Amperage	Torch series			
				Current	Optional	Recommended upgrade	No longer available. See recommended upgrade column.
 <p>50-65 amp range</p>	20	Powermax65	65	Duramax	Duramax Hvamp		
	94	Powermax1000	60			Duramax RT	T60/T60M
	98	Powermax900	55			Duramax RT	PAC125T/PAC125M
	102	Powermax800	50			Duramax RT	PAC121TS/PAC121M

 <p>70-85 amp range</p>	30	Powermax85	85	Duramax	Duramax Hvamp		
	106	Powermax1250	80			Duramax RT	T80/T80M
	110	Powermax1100	80			RT80/RT80M	PAC135T/PAC135M
	114	MAX70/MAX100	70	PAC130, MAX70/MAX100			

 <p>100-125 amp range</p>	50	Powermax125	125	Duramax Hvamp			
	40	Powermax105	105	Duramax	Duramax Hvamp		T100 ²
	118	Powermax1650	100			Duramax RT	
	114	MAX100	100	PAC160E, MAX100D			
	124	MAX100D	100	PAC160/E, MAX100D			



See pages 64-65 for current system part number information.

Powermax30® XP

Duramax® LT hand torch consumables



Minimum order quantity		1	1	5	5	1	
Consumable type	Torch type	Shield/deflector	Retaining cap	Nozzle		Electrode	Swirl ring
Standard (15-30 A)	Hand	420116	420114	420118		420120	420211
Quantity in kit		2 (1 each)	1	4	3	7	1
Essential cutting kit - 851479 (15-30 A)	Hand	420116 (Standard shield) 420115 (FineCut deflector)	420114	420118 (Standard)	420117 (FineCut)	420120	420211
Combination kit 428243 ¹							



¹Kit contains 2 standard nozzles (420118) and 2 electrodes (420120)



Minimum order quantity		1	1	5	5	1
Consumable type	Torch type	Shield/deflector	Retaining cap	Nozzle	Electrode	Swirl ring
FineCut (15-30 A)	Hand	420115	420114	420117	420120	420211
Combination kit 428244 ²						

²Kit contains 2 FineCut nozzles (420117) and 2 electrodes (420120)



Minimum order quantity		1	1	1	1	1
Consumable type	Torch type	Retaining cap	Nozzle		Electrode	Swirl ring
HyAccess drag-cutting (15-30 A)	Hand	420148	420144		420137	420211
HyAccess gouging (15-30 A)			420147			
Quantity in kit		1	1	1	2	1
HyAccess kit - 428337 (15-30 A)	Hand	420148	420144 (cutting)	420147 (gouging)	420137	420211
HyAccess cutting only starter pack - 428443 ³						
HyAccess gouging only starter pack - 428444 ⁴						

³Starter pack contains 1 retaining cap (420148), 1 cutting nozzle (420144) and 1 electrode (420137)

⁴Starter pack contains 1 retaining cap (420148), 1 gouging nozzle (420147) and 1 electrode (420137)



Duramax® LT hand torch parts

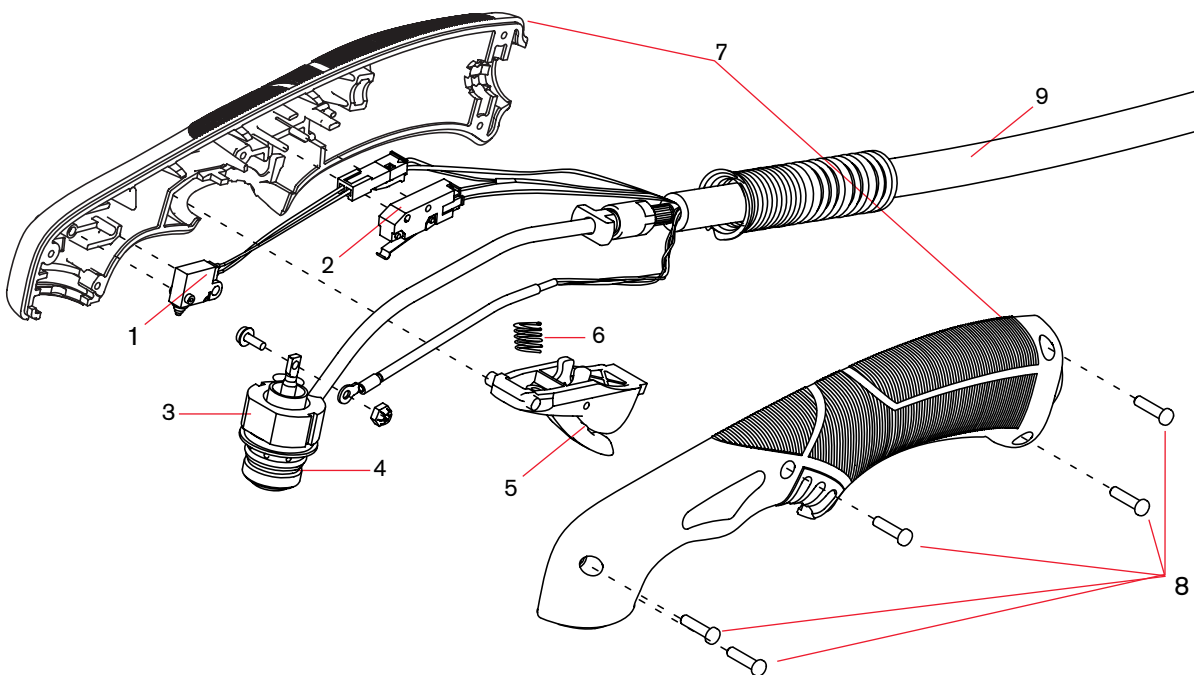
For use with the Powermax30® XP



Duramax LT hand torch parts

You can replace the entire hand torch and lead assembly, or you can replace individual torch components.

Item	Kit/Part number	Description
	428174	Kit: Duramax LT hand torch assembly with 4.6 m (15') lead. The torch assembly includes one set of general-purpose (standard) consumables: electrode (420120), swirl ring (420211), retaining cap (420114), nozzle (420118), shield (420116)
1	228109	Kit: Torch cap-sensor switch
2	428162	Kit: Torch start switch
3	428178	Kit: Duramax LT torch body (includes o-ring)
4	428179	Kit: Replacement o-rings for torch body
5	428156	Kit: Torch trigger and spring
6	428182	Kit: Replacement springs for torch trigger
7	428177	Kit: Duramax LT torch handle (includes handle screws)
8	428181	Kit: Duramax LT torch replacement handle screws
9	428176	Kit: Duramax LT torch lead, 4.6 m (15'), with strain relief



See pages 64-65 for current system part number information.

Powermax30® AIR

AIR T30 hand torch consumables



Minimum order quantity		1	1	5	5	1
Consumable type	Torch type	Shield/deflector	Retaining cap	Nozzle	Electrode	Swirl ring
Drag-cutting (15–30 A)	Hand	420399	420135	420134	420132	420133
Quantity in kit		1	1	7	7	1
Essential cutting kit – 851462 (15–30 A)	Hand	420399	420135	420134	420132	420133
				Combination kit 428350 ¹		



¹Kit contains 2 standard nozzles (420134) and 2 electrodes (420132)



AIR T30 hand torch parts

For use with the Powermax30® AIR

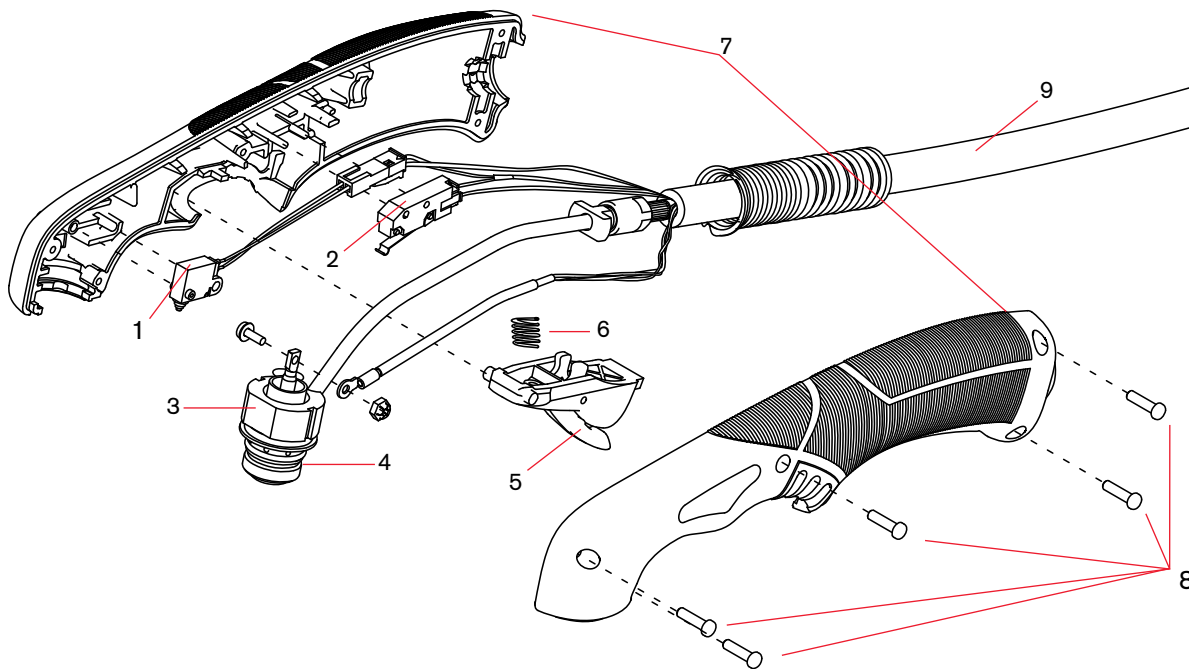


AIR T30 hand torch parts

You can replace the entire hand torch and lead assembly, or you can replace individual torch components.

Item	Kit/Part number	Description
	428393 ¹	Kit: AIR T30 hand torch assembly with 4.6 m (15 foot) lead
1	228109	Kit: Torch cap-sensor switch
2	428162	Kit: Torch start switch
3	428394	Kit: AIR T30 torch body (includes o-ring)
4	428179	Kit: Replacement o-rings for torch body
5	428156	Kit: Torch trigger and spring
6	428182	Kit: Replacement springs for torch trigger
7	428381	Kit: AIR T30 torch handle (includes handle screws)
8	428181	Kit: AIR T30 torch replacement handle screws
9	428176	Kit: AIR T30 torch lead, 4.6 m (15'), with strain relief

¹Assembly includes consumables.



See pages 64-65 for current system part number information.

Powermax45® XP

Duramax® Lock hand/machine consumables



Minimum order quantity		1	1	5	5	1
Consumable type	Torch type	Shield/deflector	Retaining cap	Nozzle	Electrode	Swirl ring
Drag-cutting (15–45 A)	Hand	220818 ²	220854	220941 ² (45 A)	220842 ² or 220777 ^{1,2}	220857
Quantity in kit		2	1	7	7	1
Essential cutting kit – 851510 (15–45 A)	Hand	220818	220854	220941	220842	220857



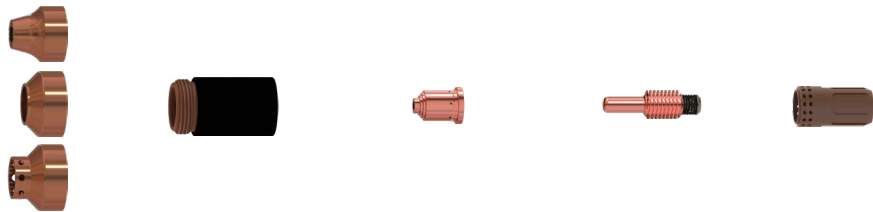
¹For longer consumable life when cutting metal 1/2 inch (12 mm) and under, check out the CopperPlus electrode (part number 220777).
²Consumable available in bulk packaging. See order information below.



Minimum order quantity		1	1	5	5	1
Consumable type	Torch type	Shield/deflector	Retaining cap	Nozzle	Electrode	Swirl ring
Mechanized (15–45 A)	Machine	220817 ² or 220955 ³	220854 or 220953 ohmic	220941 ² (45 A)	220842 ² or 220777 ^{1,2}	220857
Quantity in kit		2	1	7	4	3
Essential cutting kit – 851511 or 851512 (ohmic) (15–45 A)	Machine	220817	220955	220941	220842	220777



¹For longer consumable life when cutting metal 1/2 inch (12 mm) and under, check out the CopperPlus electrode (part number 220777).
²Consumable available in bulk packaging. See order information below.
³Deflector for unshielded cutting.



Minimum order quantity		1	1	5	5	1
Consumable type	Torch type	Shield/deflector	Retaining cap	Nozzle	Electrode	Swirl ring
Max control gouging ³ (26–45 A)	Hand/Machine	420480	220854	420419 ²	220842 ²	220857
Precision gouging (10–25 A)	Hand	420414	220854	420415	220842	220857
Marking (10–25 A)	Hand/Machine	420542	220854 or 220953 ohmic	420415	220842	220857

Precision gouging is a low amperage process ideal for spot weld removal.



Minimum order quantity		1	1	5	5	1
Consumable type	Torch type	Shield/deflector	Retaining cap	Nozzle	Electrode	Swirl ring
FineCut® (30–45 A)	Hand	220931	220854 or 220953 (ohmic)	220930 ²	220842 ²	220947
	Machine	220955 or 220948 (ohmic)				

²Consumable available in bulk packaging. See order information below.



Minimum order quantity		1	1	1	1	
Consumable type	Torch type	Retaining cap	Nozzle	Electrode	Swirl ring	
HyAccess drag-cutting (15–45 A)	Hand	420413	420410	420408	220857	
HyAccess gouging (15–45 A)			420412			
Quantity in kit		1	1	2	1	
HyAccess kit – 428414 (15–45 A)	Hand	420413	420410 (cutting)	420412 (gouging)	420408	220857
		HyAccess cutting only starter pack – 428445 ⁵ HyAccess gouging only starter pack – 428446 ⁶				

⁵Starter pack contains 1 retaining cap (420413), 1 cutting nozzle (420410) and 1 electrode (420408)

⁶Starter pack contains 1 retaining cap (420413), 1 gouging nozzle (420412) and 1 electrode (420408)



Minimum order quantity		1	1	1	5	1
Consumable type	Torch type	Retaining ring	Retaining cap	Nozzle/shield assembly	Electrode	Swirl ring
FlushCut (30–45 A) ⁷	Hand/Machine	420540	420536	420633	420635	420634
Quantity in kit		1	1	1	1	1
FlushCut kit – 428746 (30–45 A)	Hand/Machine	420540	420536	420633	420635	420634

⁷Not for use with Duramax retrofit torches

Duramax® consumable bulk kits

Order quantity	25	25	25	25	10	10
Bulk kit part number	228934	228767	228761	228765	228763	228764
Contents	220777 electrode	220842 electrode	220930 nozzle	220941 nozzle	220817 shield	220818 shield



See pages 64–65 for current system part number information.

Duramax® Lock 75° hand torch parts

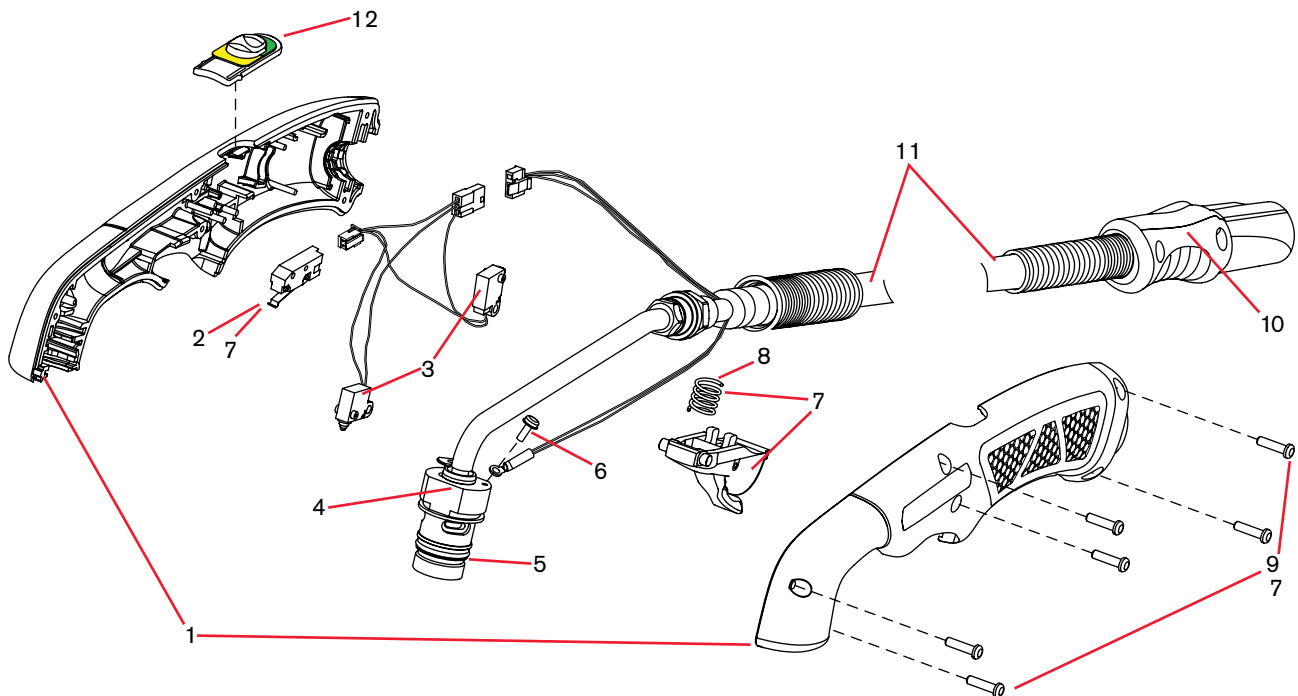
For use with the Powermax45® XP



Duramax 75° hand torch assembly

Item	Kit/Part number	Description
	088164	Duramax 75° hand torch assembly with 6.1 m (20 foot) lead
	088165	Duramax 75° hand torch assembly with 15 m (50 foot) lead
1	428590	Kit: 75° hand torch handle (with screws)
2	428162	Kit: Hand torch start switch
3	428594	Kit: Cap-sensor switch/torch-disable switch assembly for hand torch (includes wires and connectors)
4	428588	Kit: 75° hand torch main body (with O-ring)
5	428180	Kit: Replacement O-rings for torch body
6	075504	Pilot terminal screw
7	428156	Kit: Hand torch trigger and spring – includes start switch and screws for torch handle
8	428182	Kit: Replacement springs for hand torch trigger
9	428148	Kit: Replacement screws for torch handle
10	228314	Kit: Torch quick-disconnect repair (shell with button – does not include torch lead)
11	428592	Kit: Hand torch lead replacement, 6.1 m (20 foot)
11	428593	Kit: Hand torch lead replacement, 15 m (50 foot)
12	428595	Kit: Torch-disable slider for hand torch (with yellow/green label)

*The torch assembly does not include consumables.



See pages 64–65 for current system part number information.

Duramax® Lock 15° hand torch parts

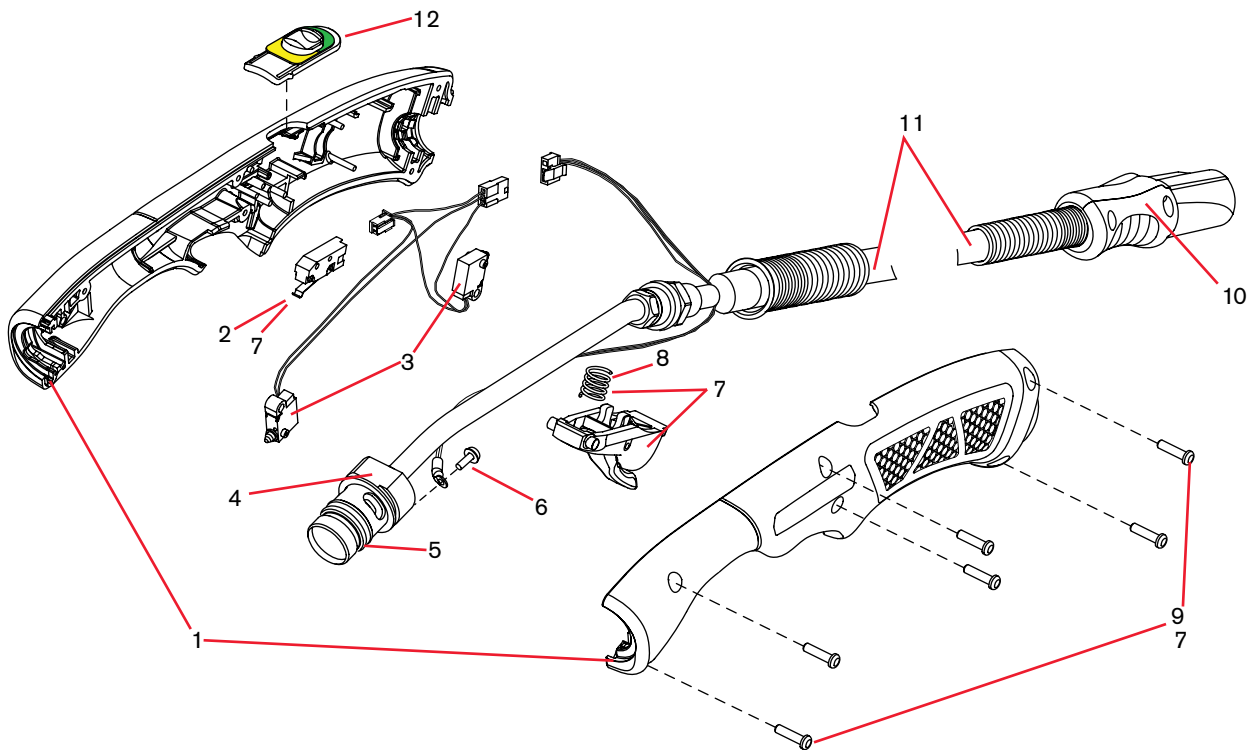
For use with the Powermax45® XP



Duramax 15° hand torch assembly

Item	Kit/Part number	Description
	088162 ¹	Duramax 15° hand torch assembly with 6.1 m (20 foot) lead
	088163 ¹	Duramax 15° hand torch assembly with 15 m (50 foot) lead
1	428591	Kit: 15° hand torch handle (with screws)
2	428162	Kit: Hand torch start switch
3	428594	Kit: Cap-sensor switch/torch-disable switch assembly for hand torch (includes wires and connectors)
4	428589	Kit: 15° hand torch main body (with O-ring)
5	428180	Kit: Replacement O-rings for torch body
6	075504	Pilot terminal screw
7	428156	Kit: Hand torch trigger and spring – includes start switch and screws for torch handle
8	428182	Kit: Replacement springs for hand torch trigger
9	428148	Kit: Replacement screws for torch handle
10	228314	Kit: Torch quick-disconnect repair (shell with button – does not include torch lead)
11	428592	Kit: Hand torch lead replacement, 6.1 m (20 foot)
11	428593	Kit: Hand torch lead replacement, 15 m (50 foot)
12	428595	Kit: Torch-disable slider for hand torch (with yellow/green label)

¹The torch assembly does not include consumables.



See pages 64–65 for current system part number information.

Duramax[®] Lock 180[°] machine torch parts

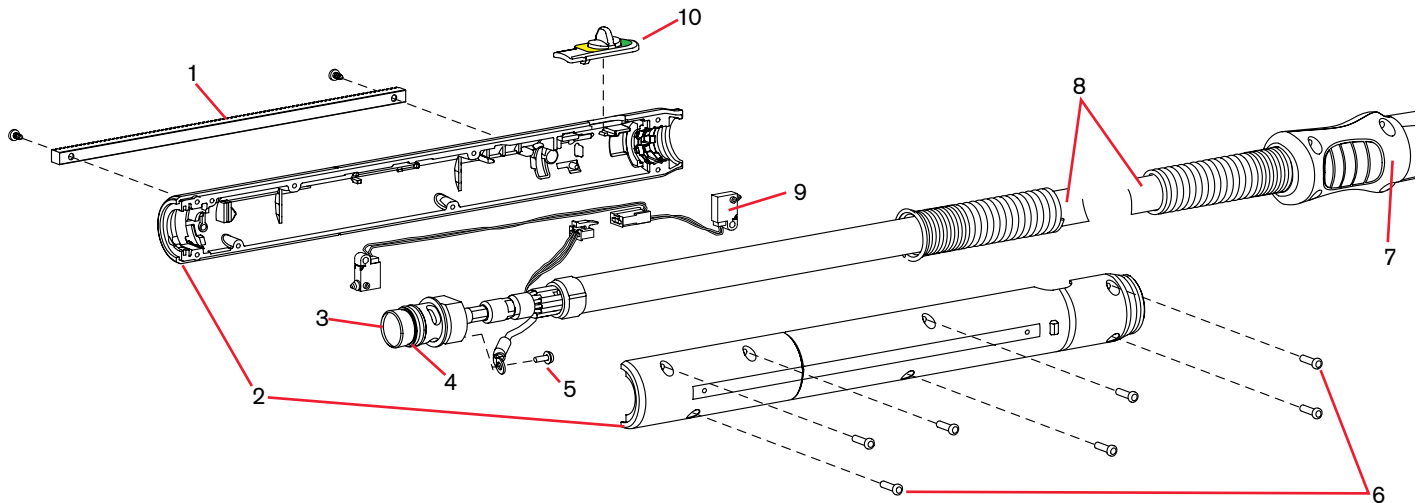
For use with the Powermax45[®] XP



Duramax 180[°] machine torch assembly

Item	Kit/Part number	Description
	088167*	Kit: Machine torch assembly with 7.6 m (25 foot) lead
	088168*	Kit: Machine torch assembly with 10.7 m (35 foot) lead
	088169*	Kit: Machine torch assembly with 15 m (50 foot) lead
1	428703	Kit: Removable 32-pitch gear rack (with screws)
2	428596	Kit: Machine torch shell (with screws)
3	428704	Kit: Torch main body replacement for machine torch
4	428180	Kit: Replacement O-rings for torch body
5	075504	Pilot terminal screw
6	428148	Kit: Replacement screws for torch shell
7	428260	Kit: Torch quick-disconnect repair (shell with button – does not include torch lead)
8	428699	Kit: Machine torch lead replacement, 7.6 m (25 foot)
8	428710	Kit: Machine torch lead replacement, 10.7 m (35 foot)
8	428700	Kit: Machine torch lead replacement, 15 m (50 foot)
9	428705	Kit: Cap-sensor switch/torch-disable switch assembly for machine torch (includes wires and connector)
10	428706	Kit: Torch-disable slider for machine torch (with yellow/green label)

*The torch assembly does not include consumables.



See pages 64–65 for current system part number information.

Duramax® 180° mini machine torch parts

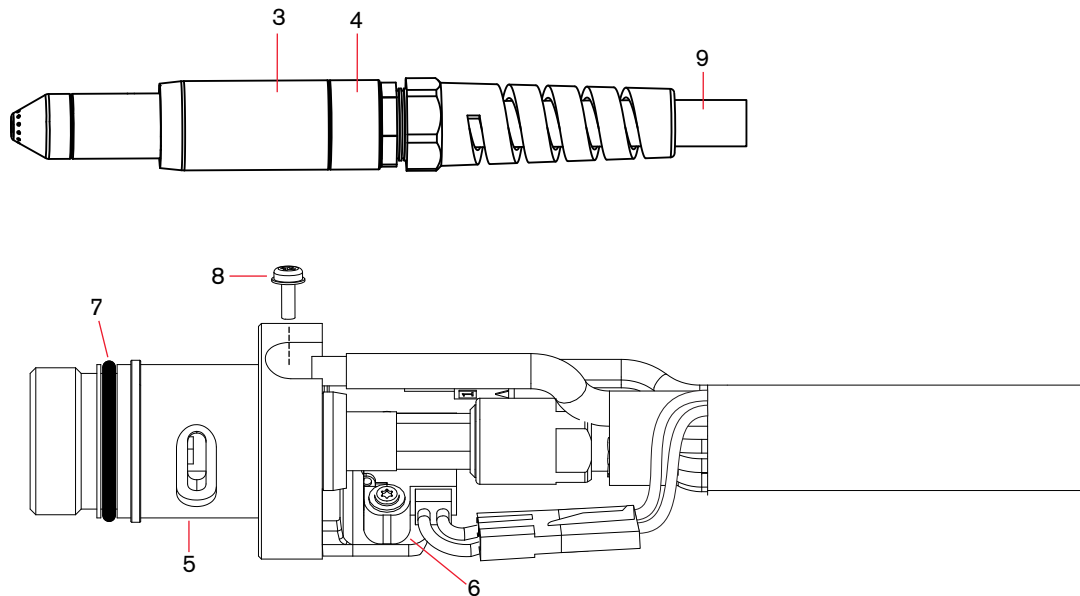
For use with the Powermax45® XP



Duramax 180° mini torch assembly

Item	Kit/Part number	Description
	059481	Duramax 180° mini machine torch assembly with 4.5 m (15') lead
	059482	Duramax 180° mini machine torch assembly with 7.6 m (25') lead
	059483	Duramax 180° mini machine torch assembly with 10.7 m (35') lead
	059484	Duramax 180° mini machine torch assembly with 15.2 m (50') lead
3	220956	Kit: Duramax 180°/Duramax 180° mini torch front mounting sleeve
4	228736	Kit: Duramax 180°/Duramax 180° mini torch adapter ring (coupler)
5	228716	Kit: Duramax 180°/Duramax 180° mini torch main body replacement
6	228720	Kit: Cap-sensor switch replacement
7	058519	O-ring
8	075504	Pilot terminal screw
9	228730	Kit: Duramax 180°/Duramax 180° mini torch lead replacement, 4.5 m (15')
9	228731	Kit: Duramax 180°/Duramax 180° mini torch lead replacement, 7.6 m (25')
9	228732	Kit: Duramax 180°/Duramax 180° mini torch lead replacement, 10.7 m (35')
9	228733	Kit: Duramax 180°/Duramax 180° mini torch lead replacement, 15.2 m (50')
9	228734	Kit: Duramax 180°/Duramax 180° mini torch lead replacement, 22.8 m (75')
	128650	Remote start pendant for machine torch, 7.6 m (25')
	128651	Remote start pendant for machine torch, 15.2 m (50')
	128652	Remote start pendant for machine torch, 22.8 m (75')
	223125	Kit: 65 A Work lead with hand clamp, 7.6 m (25')

*Other work lead options available.



See pages 64-65 for current system part number information.

Duramax® 180° robotic torch parts

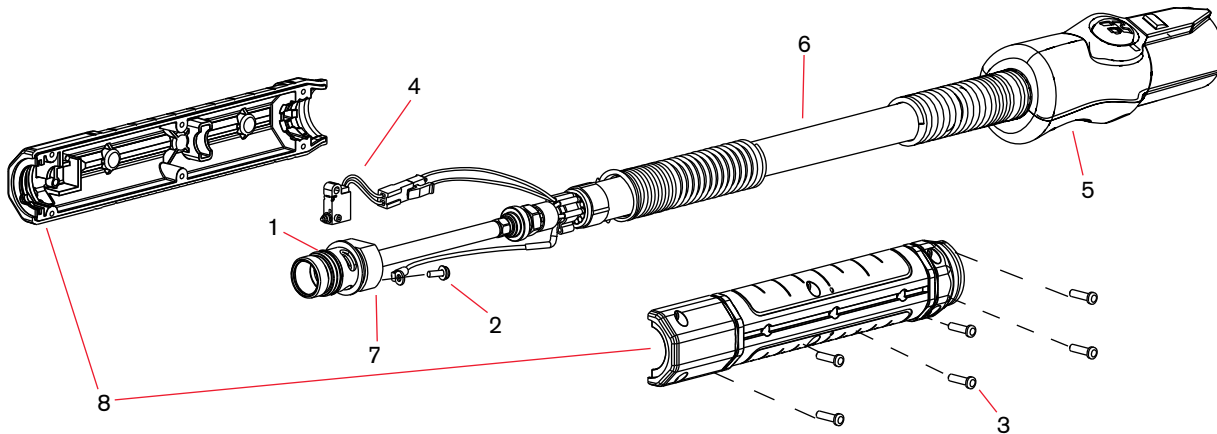
For use with the Powermax45® XP



Duramax 180° robotic torch assembly

The entire Duramax 180° robotic torch assembly with leads can be replaced, or individual component parts can be replaced.

Item	Kit/Part number	Description
	059466	Duramax 180° robotic torch assembly with 7.6 m (25') lead
	059587	Duramax 180° robotic torch assembly with 15.2 m (50') lead
1	058519	O-ring
2	075504	Pilot terminal screw
3	075714	#4 x 1/2 slotted TORX pan head screws
4	228109	Kit: Cap-sensor switch replacement
5	428260	Kit: FastConnect replacement
6	228852	Kit: Robotic torch lead replacement, 7.6 m (25')
7	228853	Kit: 180° Robotic torch main body replacement
8	228856	Kit: 180° Robotic torch positioning barrel replacement
	228806	Kit: Robotic torch clamp assembly



Duramax® 90° robotic torch parts

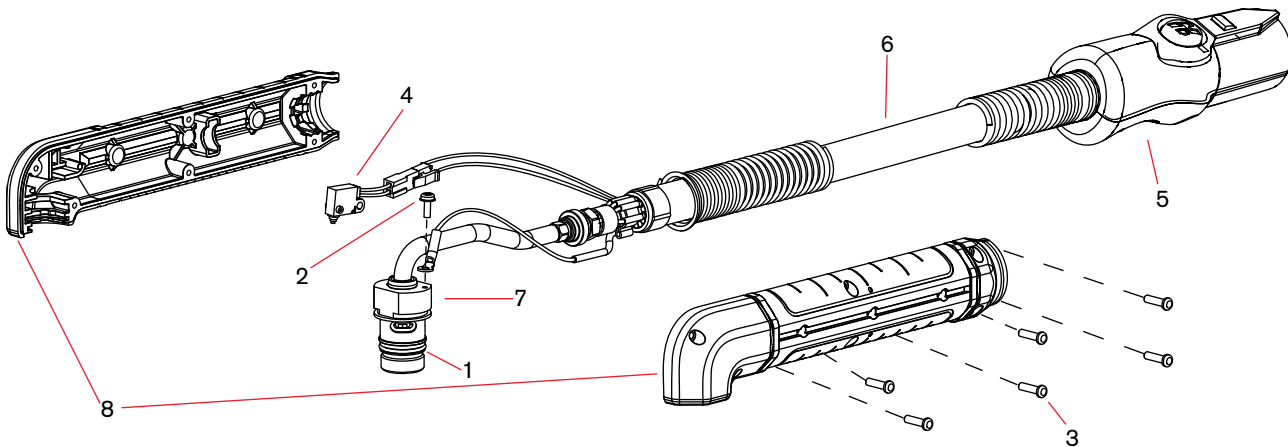
For use with the Powermax45® XP



Duramax 90° robotic torch assembly

The entire Duramax 90° robotic torch assembly with leads can be replaced, or individual component parts can be replaced.

Item	Kit/Part number	Description
	059465	Duramax 90° robotic torch assembly with 7.6 m (25') lead
	059586	Duramax 90° robotic torch assembly with 15.2 m (50') lead
1	058519	O-ring
2	075504	Pilot terminal screw
3	075714	#4 x 1/2 slotted TORX pan head screws
4	228109	Kit: Cap-sensor switch replacement
5	428260	Kit: FastConnect replacement
6	228852	Kit: Robotic torch lead replacement, 7.6 m (25')
7	228854	Kit: 90° Robotic torch main body replacement
8	228857	Kit: 90° Robotic torch positioning barrel replacement
	228806	Kit: Robotic torch clamp assembly



See pages 64-65 for current system part number information.

Duramax® 45° robotic torch parts

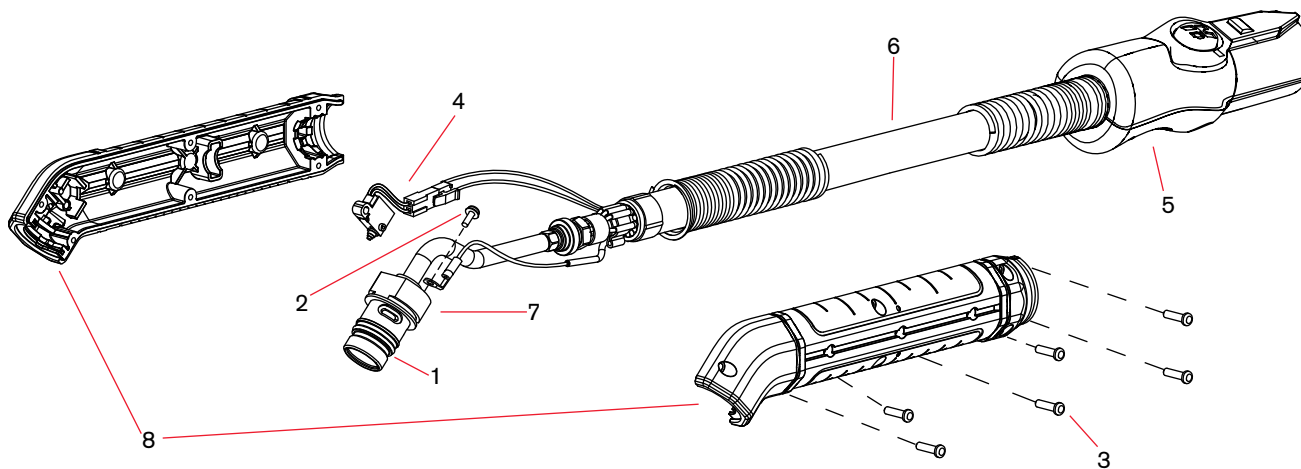
For use with the Powermax45® XP



Duramax 45° robotic torch assembly

The entire Duramax 45° robotic torch assembly with leads can be replaced, or individual component parts can be replaced.

Item	Kit/Part number	Description
	059464	Duramax 45° robotic torch assembly with 7.6 m (25') lead
	059585	Duramax 45° robotic torch assembly with 15.2 m (50') lead
1	058519	O-ring
2	075504	Pilot terminal screw
3	075714	#4 x 1/2 slotted TORX pan head screws
4	228109	Kit: Cap-sensor switch replacement
5	428260	Kit: FastConnect replacement
6	228852	Kit: Robotic torch lead replacement, 7.6 m (25')
7	228855	Kit: 45° Robotic torch main body replacement
8	228858	Kit: 45° Robotic torch positioning barrel replacement
	228806	Kit: Robotic torch clamp assembly





Hypertherm

Powermax 45 XP

Powermax65®

Duramax® hand/machine torch consumables



Minimum order quantity		1	1	5	5	1
Consumable type	Torch type	Shield/deflector	Retaining cap	Nozzle	Electrode	Swirl ring
Drag-cutting (30–65 A)	Hand	220818 ²	220854	220941 ² (45 A)	220842 ² or 220777 ^{1,2}	220857
				220819 ² (65 A)		
Quantity in kit		2	1	7	7	1
Essential cutting kit – 851465 (30–65 A)	Hand	220818	220854	220819	220842	220857



¹For longer consumable life when cutting metal 1/2 inch (12 mm) and under, check out the CopperPlus electrode (part number 220777).

²Consumable available in bulk packaging. See order information below.



Minimum order quantity		1	1	5	5	1		
Consumable type	Torch type	Shield/deflector	Retaining cap	Nozzle	Electrode	Swirl ring		
Mechanized (30–65 A)	Machine	220817 ² or 220955 ³	220854 or 220953 ohmic	220941 ² (45 A)	220842 ² or 220777 ^{1,2}	220857		
				220819 ² (65 A)				
Quantity in kit		2	1	7	4	3		
Essential cutting kit – 851466 or 851467 (ohmic) (30–65 A)	Machine	220817 (Shield)	220955 (Deflector)	220854 or 220953 ohmic	220819 ²	220842 (Cutting)	220777 (CopperPlus)	220857



¹For longer consumable life when cutting metal 1/2 inch (12 mm) and under, check out the CopperPlus electrode (part number 220777).

²Consumable available in bulk packaging. See order information below.

³Deflector for unshielded cutting.



Minimum order quantity		1	1	5	5	1
Consumable type	Torch type	Shield/deflector	Retaining cap	Nozzle	Electrode	Swirl ring
Max removal gouging ³ (45–65 A)	Hand/Machine	220798	220854	220797 ²	220842 ²	220857
Max control gouging ⁴ (45–65 A)	Hand/Machine	420480	220854	220797 ²	220842 ²	220857

²Consumable available in bulk packaging. See order information below.

³The Max removal gouging shield is designed for aggressive metal removal, deep gouge profiles and extreme metal washing.

⁴The Max control gouging shield is designed for more precise metal removal, shallower gouge profiles and light metal washing.



Minimum order quantity		1	1	5	5	1
Consumable type	Torch type	Shield/deflector	Retaining cap	Nozzle	Electrode	Swirl ring
FineCut® (30–45 A)	Hand	220931	220854 or 220953 (ohmic)	220930 ²	220842 ²	220947
	Machine	220955 or 220948 (ohmic)				

²Consumable available in bulk packaging. See order information below.



Minimum order quantity		1	1	1	1	1
Consumable type	Torch type	Retaining cap	Nozzle	Electrode	Swirl ring	
HyAccess drag-cutting (30–65 A)	Hand	420413	420410	420408	220857	
HyAccess gouging (30–65 A)			420412			
Quantity in kit		1	1	1	2	1
HyAccess kit – 428414 (30–65 A)	Hand	420413	420410 (cutting)	420412 (gouging)	420408	220857
		HyAccess cutting only starter pack – 428445 ⁵				
		HyAccess gouging only starter pack – 428446 ⁶				



⁵Starter pack contains 1 retaining cap (420413), 1 cutting nozzle (420410) and 1 electrode (420408)

⁶Starter pack contains 1 retaining cap (420413), 1 gouging nozzle (420412) and 1 electrode (420408)



Minimum order quantity		1	1	1	5	1
Consumable type	Torch type	Retaining ring	Retaining cap	Nozzle/shield assembly	Electrode	Swirl ring
FlushCut (30–45 A) ⁷	Hand/Machine	420540	420536	420633	420635	420634
Quantity in kit		1	1	1	1	1
FlushCut kit – 428746 (30–45 A)	Hand/Machine	420540	420536	420633	420635	420634

⁷Using the 45 amp FlushCut consumables on the Powermax65 above 45 amps will cause premature consumable damage

Duramax® consumable bulk kits

Order quantity	25	25	25	25	25	10	10
Bulk kit part number	228934	228767	228761	228762	228765	228759	228763
Contents	220777 electrode	220842 electrode	220930 nozzle	220797 nozzle	220941 nozzle	220819 nozzle	220817 shield
							220818 shield



See pages 64–65 for current system part number information.

Duramax® 75° hand torch parts

For use with the Powermax65®

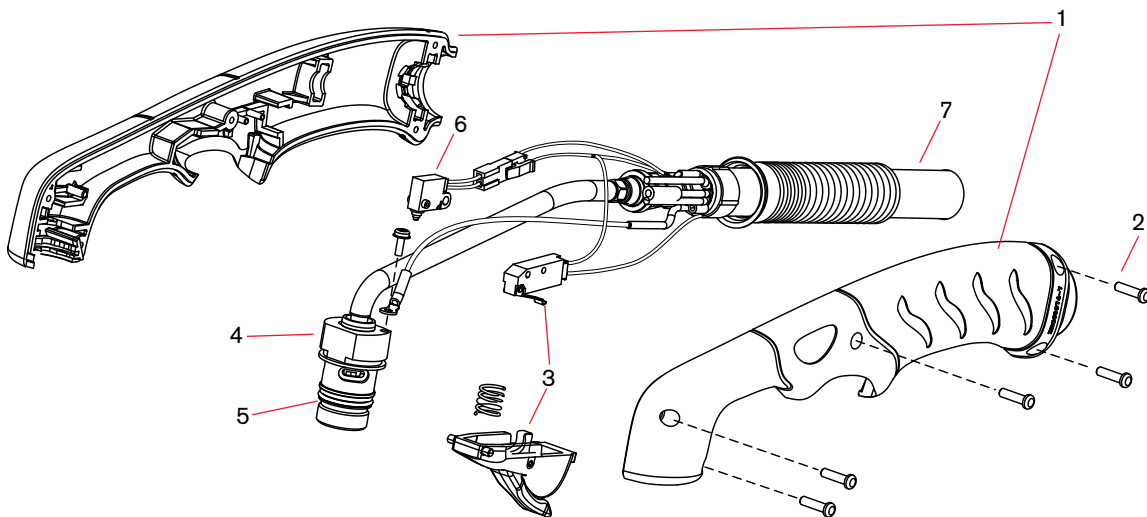


Duramax 75° hand torch assembly

Item	Kit/Part number	Description
	059473	Duramax 75° hand torch assembly with 7.6 m (25') lead
	059474	Duramax 75° hand torch assembly with 15.2 m (50') lead
	059475	Duramax 75° hand torch assembly with 22.8 m (75') lead
1	228954	Kit: Duramax 75°/HRT Torch handle replacement
2	075714 ¹	Handle screws, #4 x 1/2 slotted TORX pan head, S/B
3	228721	Kit: Duramax 75°/Duramax 15°/HRT/HRTs (spring and trigger assembly)
4	228714*	Kit: Duramax 75° Torch main body replacement (3/8" coupler)
4	228958*	Kit: Duramax 75° Torch main body replacement (1/2" coupler)
5	058519	O-ring
6	228719	Kit: Duramax 75° Cap-sensor switch replacement
7	228959 ¹	Kit: Duramax 75° Torch lead replacement, 7.6 m (25')
7	228960 ¹	Kit: Duramax 75° Torch lead replacement, 15.2 m (50')
7	228961	Kit: Duramax 75° Torch lead replacement, 22.8 m (75')
	223125 ²	Kit: 65 A Work lead with hand clamp, 7.6 m (25')

¹Before ordering these parts verify the date the torch was built.

²Other work lead options available.



See pages 64-65 for current system part number information.

Duramax® 15° hand torch parts

For use with the Powermax65®

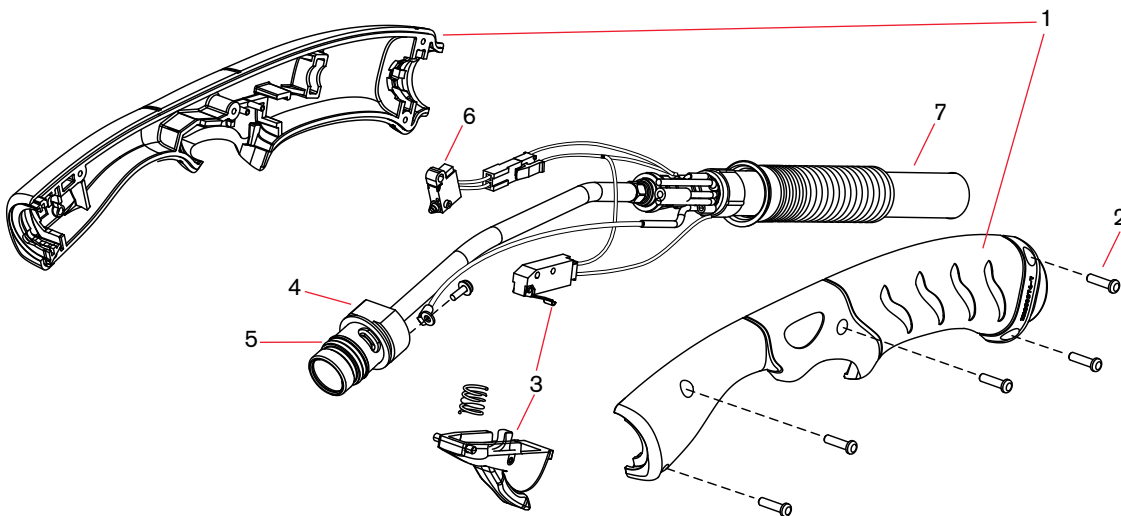


Duramax 15° hand torch assembly

Item	Kit/Part number	Description
	059470	Duramax 15° hand torch assembly with 7.6 m (25') lead
	059471	Duramax 15° hand torch assembly with 15.2 m (50') lead
	059472	Duramax 15° hand torch assembly with 22.8 m (75') lead
1	228955	Kit: Duramax 15° Torch handle replacement
2	075714 ¹	Handle screws, #4 x 1/2 slotted TORX pan head, S/B
3	228721	Kit: Duramax 15°/Duramax 75°/HRT/HRTs (spring and trigger assembly)
4	228715 ¹	Kit: Duramax 15° Torch main body replacement (3/8" coupler)
4	228957 ¹	Kit: Duramax 15° Torch main body replacement (1/2" coupler)
5	058519	O-ring
6	228109	Kit: Duramax 15° Cap-sensor switch replacement
7	228959 ¹	Kit: Duramax 15° Torch lead replacement, 7.6 m (25')
7	228960 ¹	Kit: Duramax 15° Torch lead replacement, 15.2 m (50')
7	228961	Kit: Duramax 15° Torch lead replacement, 22.8 m (75')
	223125 ²	Kit: 65 A Work lead with hand clamp, 7.6 m (25')

¹Before ordering these parts verify the date the torch was built.

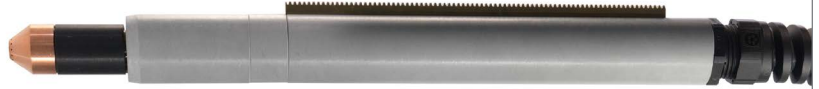
²Other work lead options available.



See pages 64–65 for current system part number information.

Duramax[®] 180° machine torch parts

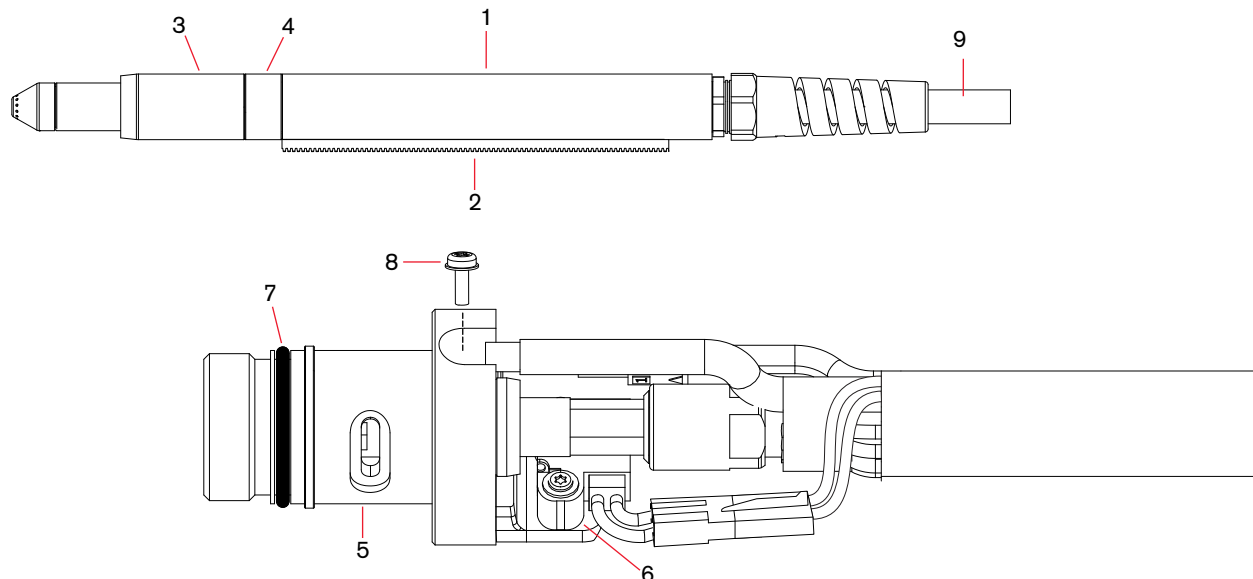
For use with the Powermax65[®]



Duramax 180° machine torch assembly

Item	Kit/Part number	Description
	059476	Duramax 180° machine torch assembly with 4.5 m (15') lead
	059477	Duramax 180° machine torch assembly with 7.6 m (25') lead
	059478	Duramax 180° machine torch assembly with 10.7 m (35') lead
	059479	Duramax 180° machine torch assembly with 15.2 m (50') lead
	059480	Duramax 180° machine torch assembly with 22.8 m (75') lead
1	228737	Kit: Duramax 180° positioning sleeve
2	228738	Kit: Duramax 180° removable gear rack
3	228735	Kit: Duramax 180°/Duramax 180° torch front mounting sleeve
4	228736	Kit: Duramax 180°/Duramax 180° torch adapter ring (coupler)
5	228716	Kit: Duramax 180°/Duramax 180° torch main body replacement
6	228720	Kit: Cap-sensor switch replacement
7	058519	O-ring
8	075504	Pilot terminal screw
9	228730	Kit: Duramax 180°/Duramax 180° torch lead replacement, 4.5 m (15')
9	228731	Kit: Duramax 180°/Duramax 180° torch lead replacement, 7.6 m (25')
9	228732	Kit: Duramax 180°/Duramax 180° torch lead replacement, 10.7 m (35')
9	228733	Kit: Duramax 180°/Duramax 180° torch lead replacement, 15.2 m (50')
9	228734	Kit: Duramax 180°/Duramax 180° torch lead replacement, 22.8 m (75')
	128650	Remote start pendant for machine torch, 7.6 m (25')
	128651	Remote start pendant for machine torch, 15.2 m (50')
	128652	Remote start pendant for machine torch, 22.8 m (75')
	223125 ¹	Kit: 65 A Work lead with hand clamp, 7.6 m (25')

¹Other work lead options available.



See pages 64–65 for current system part number information.

Duramax® 180° mini machine torch parts

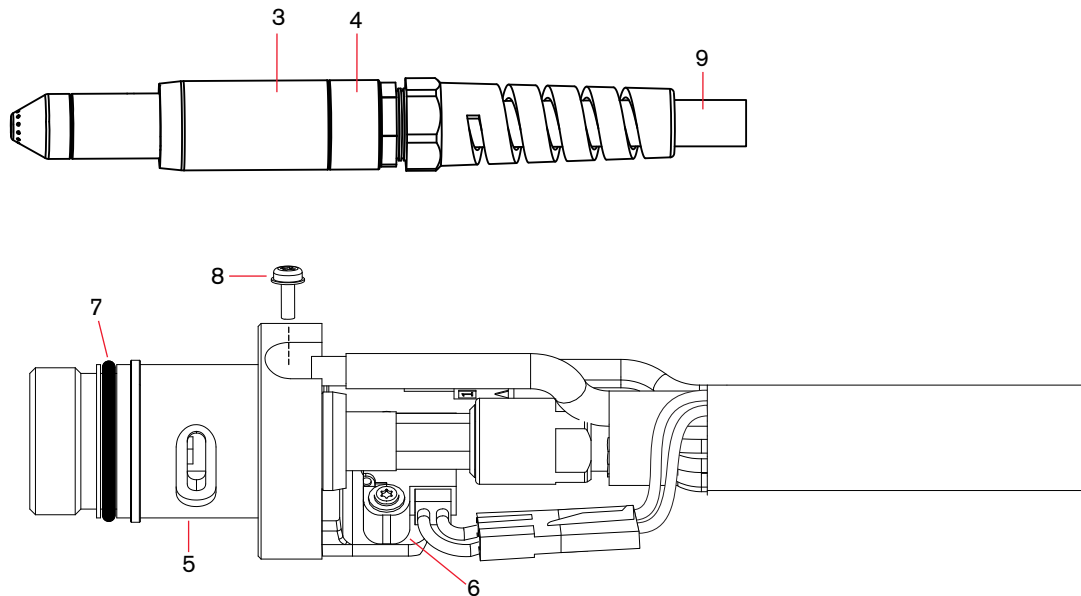
For use with the Powermax65®



Duramax 180° mini torch assembly

Item	Kit/Part number	Description
	059481	Duramax 180° mini machine torch assembly with 4.5 m (15') lead
	059482	Duramax 180° mini machine torch assembly with 7.6 m (25') lead
	059483	Duramax 180° mini machine torch assembly with 10.7 m (35') lead
	059484	Duramax 180° mini machine torch assembly with 15.2 m (50') lead
3	220956	Kit: Duramax 180°/Duramax 180° mini torch front mounting sleeve
4	228736	Kit: Duramax 180°/Duramax 180° mini torch adapter ring (coupler)
5	228716	Kit: Duramax 180°/Duramax 180° mini torch main body replacement
6	228720	Kit: Cap-sensor switch replacement
7	058519	O-ring
8	075504	Pilot terminal screw
9	228730	Kit: Duramax 180°/Duramax 180° mini torch lead replacement, 4.5 m (15')
9	228731	Kit: Duramax 180°/Duramax 180° mini torch lead replacement, 7.6 m (25')
9	228732	Kit: Duramax 180°/Duramax 180° mini torch lead replacement, 10.7 m (35')
9	228733	Kit: Duramax 180°/Duramax 180° mini torch lead replacement, 15.2 m (50')
9	228734	Kit: Duramax 180°/Duramax 180° mini torch lead replacement, 22.8 m (75')
	128650	Remote start pendant for machine torch, 7.6 m (25')
	128651	Remote start pendant for machine torch, 15.2 m (50')
	128652	Remote start pendant for machine torch, 22.8 m (75')
	223125 ¹	Kit: 65 A Work lead with hand clamp, 7.6 m (25')

¹Other work lead options available.



See pages 64–65 for current system part number information.

Duramax® 180° robotic torch parts

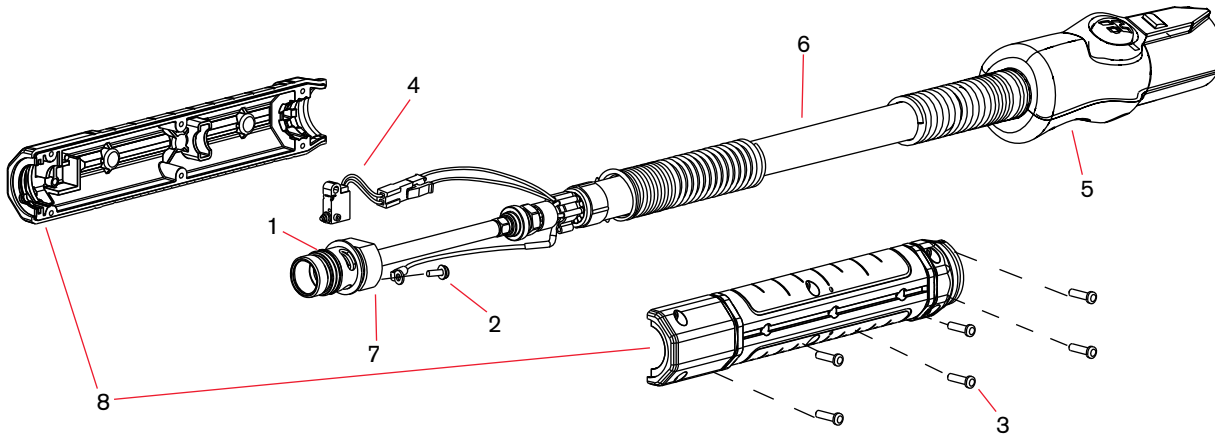
For use with the Powermax65®



Duramax 180° robotic torch assembly

The entire Duramax 180° robotic torch assembly with leads can be replaced, or individual component parts can be replaced.

Item	Kit/Part number	Description
	059466	Duramax 180° robotic torch assembly with 7.6 m (25') lead
	059587	Duramax 180° robotic torch assembly with 15.2 m (50') lead
1	058519	O-ring
2	075504	Pilot terminal screw
3	075714	#4 x 1/2 slotted TORX pan head screws
4	228109	Kit: Cap-sensor switch replacement
5	428260	Kit: FastConnect replacement
6	228852	Kit: Robotic torch lead replacement, 7.6 m (25')
7	228853	Kit: 180° Robotic torch main body replacement
8	228856	Kit: 180° Robotic torch positioning barrel replacement
	228806	Kit: Robotic torch clamp assembly



Duramax® 90° robotic torch parts

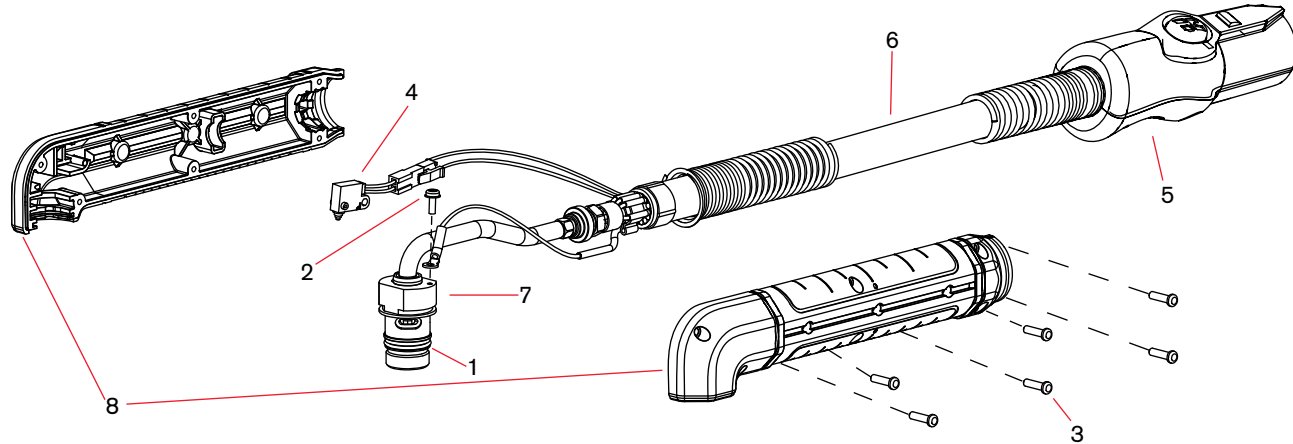
For use with the Powermax65®



Duramax 90° robotic torch assembly

The entire Duramax 90° robotic torch assembly with leads can be replaced, or individual component parts can be replaced.

Item	Kit/Part number	Description
	059465	Duramax 90° robotic torch assembly with 7.6 m (25') lead
	059586	Duramax 90° robotic torch assembly with 15.2 m (50') lead
1	058519	O-ring
2	075504	Pilot terminal screw
3	075714	#4 x 1/2 slotted TORX pan head screws
4	228109	Kit: Cap-sensor switch replacement
5	428260	Kit: FastConnect replacement
6	228852	Kit: Robotic torch lead replacement, 7.6 m (25')
7	228854	Kit: 90° Robotic torch main body replacement
8	228857	Kit: 90° Robotic torch positioning barrel replacement
	228806	Kit: Robotic torch clamp assembly



See pages 64-65 for current system part number information.

Duramax® 45° robotic torch parts

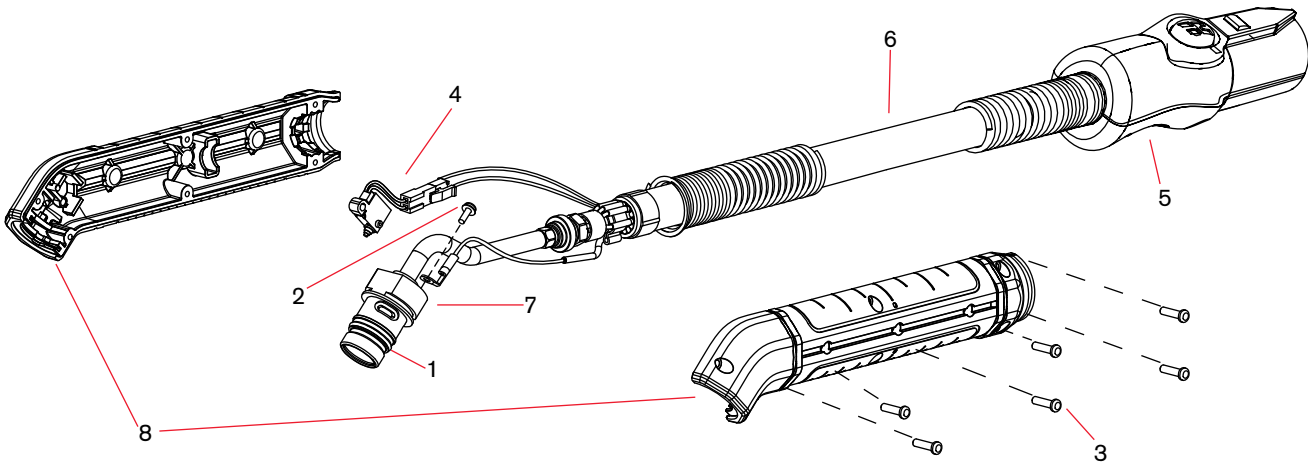
For use with the Powermax65®



Duramax 45° robotic torch assembly

The entire Duramax 45° robotic torch assembly with leads can be replaced, or individual component parts can be replaced.

Item	Kit/Part number	Description
	059464	Duramax 45° robotic torch assembly with 7.6 m (25') lead
	059585	Duramax 45° robotic torch assembly with 15.2 m (50') lead
1	058519	O-ring
2	075504	Pilot terminal screw
3	075714	#4 x 1/2 slotted TORX pan head screws
4	228109	Kit: Cap-sensor switch replacement
5	428260	Kit: FastConnect replacement
6	228852	Kit: Robotic torch lead replacement, 7.6 m (25')
7	228855	Kit: 45° Robotic torch main body replacement
8	228858	Kit: 45° Robotic torch positioning barrel replacement
	228806	Kit: Robotic torch clamp assembly





Hypertherm

65A

powermax 65T

Powermax85®

Duramax® hand/machine torch consumables



Minimum order quantity		1	1	5	5	1
Consumable type	Torch type	Shield/deflector	Retaining cap	Nozzle	Electrode	Swirl ring
Drag-cutting (30–85 A)	Hand	220818 ²	220854	220941 ² (45 A)	220842 ² or 220777 ^{1,2}	220857
				220819 ² (65 A)		
				220816 ² (85 A)		
Quantity in kit		2	1	7	7	1
Essential cutting kit – 851468 (30–85 A)	Hand	220818	220854	220816	220842	220857



¹For longer consumable life when cutting metal 1/2 inch (12 mm) and under, check out the CopperPlus electrode (part number 220777).
²Consumable available in bulk packaging. See order information below.



Minimum order quantity		1	1	5	5	1		
Consumable type	Torch type	Shield/deflector	Retaining cap	Nozzle	Electrode	Swirl ring		
Mechanized (30–85 A)	Machine	220817 ² or 220955 ³	220854 or 220953 ohmic	220941 ² (45 A)	220842 ² or 220777 ^{1,2}	220857		
				220819 ² (65 A)				
				220816 ² (85 A)				
Quantity in kit		2	1	7	4	3		
Essential cutting kit – 851469 or 851470 (ohmic) (30–85 A)	Machine	220817 (Shield)	220955 (Deflector)	220854 or 220953 ohmic	220816 ²	220842 (Cutting)	220777 (CopperPlus)	220857



¹For longer consumable life when cutting metal 1/2 inch (12 mm) and under, check out the CopperPlus electrode (part number 220777).
²Consumable available in bulk packaging. See order information below.
³Deflector for unshielded cutting.



Minimum order quantity		1	1	5	5	1
Consumable type	Torch type	Shield/deflector	Retaining cap	Nozzle	Electrode	Swirl ring
Max removal gouging ⁴ (45–85 A)	Hand/Machine	220798	220854	220797 ²	220842 ²	220857
Max control gouging ⁵ (45–85 A)	Hand/Machine	420480	220854	220797 ²	220842 ²	220857

²Consumable available in bulk packaging. See order information below.
⁴The Max removal gouging shield is designed for aggressive metal removal, deep gouge profiles and extreme metal washing.
⁵The Max control gouging shield is designed for more precise metal removal, shallower gouge profiles and light metal washing.



Minimum order quantity		1	1	5	5	1
Consumable type	Torch type	Shield/deflector	Retaining cap	Nozzle	Electrode	Swirl ring
FineCut® (30–45 A)	Hand	220931	220854 or 220953 (ohmic)	220930 ²	220842 ²	220947
	Machine	220955 or 220948 (ohmic)				

²Consumable available in bulk packaging. See order information below.



Minimum order quantity		1	1	1	1	
Consumable type	Torch type	Retaining cap	Nozzle	Electrode	Swirl ring	
HyAccess drag-cutting (30–65 A)	Hand	420413	420410	420408	220857	
HyAccess gouging (30–65 A)			420412			
Quantity in kit		1	1	2	1	
HyAccess kit – 428414 (30–65 A)	Hand	420413	420410 (cutting)	420412 (gouging)	420408	220857
		HyAccess cutting only starter pack – 428445 ⁵ HyAccess gouging only starter pack – 428446 ⁷				

Warning: The Duramax HyAccess (65 amps and below) consumables should not be operated above 65 amps

⁵Starter pack contains 1 retaining cap (420413), 1 cutting nozzle (420410) and 1 electrode (420408)

⁷Starter pack contains 1 retaining cap (420413), 1 gouging nozzle (420412) and 1 electrode (420408)



Minimum order quantity		1	1	1	5	1
Consumable type	Torch type	Retaining ring	Retaining cap	Nozzle/shield assembly	Electrode	Swirl ring
FlushCut (30–45 A) ¹	Hand/Machine	420540	420536	420633	420635	420634
Quantity in kit		1	1	1	1	1
FlushCut kit – 428746 (30–45 A)	Hand/Machine	420540	420536	420633	420635	420634

¹Using the 45 amp FlushCut consumables on the Powermax85 above 45 amps will cause premature consumable damage

Duramax® consumable bulk kits

Order quantity	25	25	25	25	25	25	25	10	10
Bulk kit part number	228934	228767	228761	228762	228765	228759	228760	228763	228764
Contents	220777 electrode	220842 electrode	220930 nozzle	220797 nozzle	220941 nozzle	220819 nozzle	220816 nozzle	220817 shield	220818 shield



See pages 64–65 for current system part number information.

Duramax[®] 75° hand torch parts

For use with the Powermax85[®]

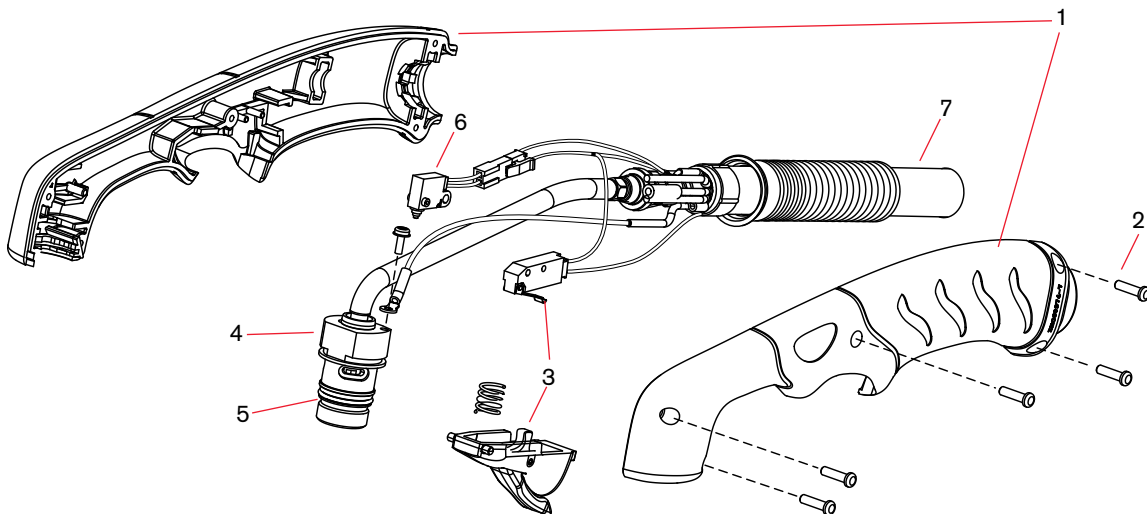


Duramax 75° hand torch assembly

Item	Kit/Part number	Description
	059473	Duramax 75° hand torch assembly with 7.6 m (25') lead
	059474	Duramax 75° hand torch assembly with 15.2 m (50') lead
	059475	Duramax 75° hand torch assembly with 22.8 m (75') lead
1	228954	Kit: Duramax 75°/HRT Torch handle replacement
2	075714 ¹	Handle screws, #4 x 1/2 slotted TORX pan head, S/B
3	228721	Kit: Duramax 75°/Duramax 15°/HRT/HRTs (spring and trigger assembly)
4	228714 ¹	Kit: Duramax 75° Torch main body replacement (3/8" coupler)
4	228958 ¹	Kit: Duramax 75° Torch main body replacement (1/2" coupler)
5	058519	O-ring
6	228719	Kit: Duramax 75° Cap-sensor switch replacement
7	228959 ¹	Kit: Duramax 75° Torch lead replacement, 7.6 m (25')
7	228960 ¹	Kit: Duramax 75° Torch lead replacement, 15.2 m (50')
7	228961	Kit: Duramax 75° Torch lead replacement, 22.8 m (75')
	223035 ²	Kit: 85 A Work lead with hand clamp, 7.6 m (25')

¹Before ordering these parts verify the date the torch was built.

²Other work lead options available.



Duramax® 15° hand torch parts

For use with the Powermax85®

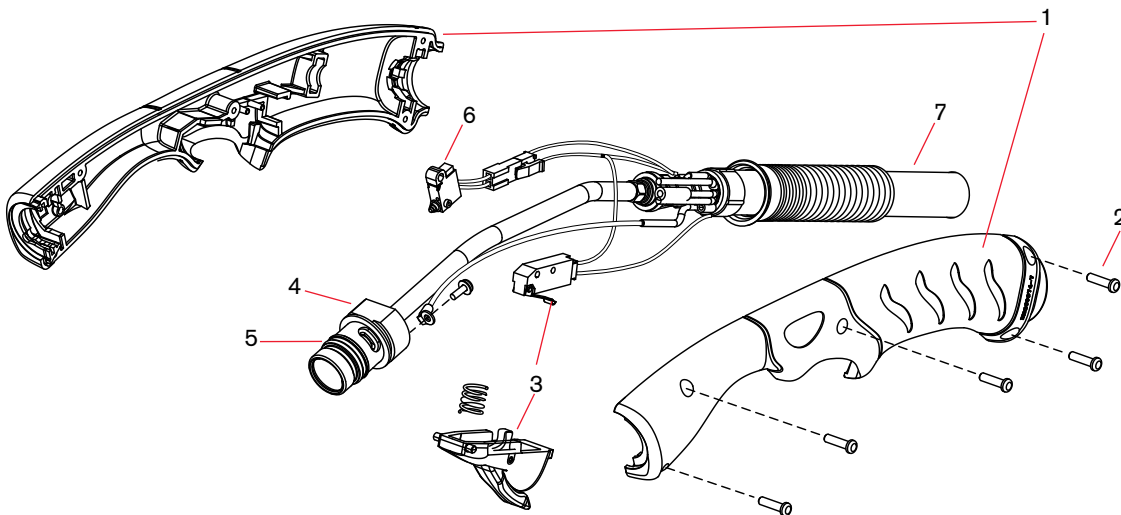


Duramax 15° hand torch assembly

Item	Kit/Part number	Description
	059470	Duramax 15° hand torch assembly with 7.6 m (25') lead
	059471	Duramax 15° hand torch assembly with 15.2 m (50') lead
	059472	Duramax 15° hand torch assembly with 22.8 m (75') lead
1	228955	Kit: Duramax 15° Torch handle replacement
2	075714 ¹	Handle screws, #4 x 1/2 slotted TORX pan head, S/B
3	228721	Kit: Duramax 15°/Duramax 75°/HRT/HRTs (spring and trigger assembly)
4	228715 ¹	Kit: Duramax 15° Torch main body replacement (3/8" coupler)
4	228957 ¹	Kit: Duramax 15° Torch main body replacment (1/2" coupler)
5	058519	O-ring
6	228109	Kit: Duramax 15° Cap-sensor switch replacement
7	228959 ¹	Kit: Duramax 15° Torch lead replacement, 7.6 m (25')
7	228960 ¹	Kit: Duramax 15° Torch lead replacement, 15.2 m (50')
7	228961	Kit: Duramax 15° Torch lead replacement, 22.8 m (75')
	223035 ²	Kit: 85 A Work lead with hand clamp, 7.6 m (25')

¹Before ordering these parts verify the date the torch was built.

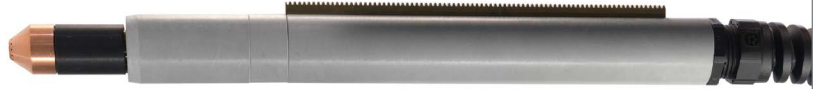
²Other work lead options available.



See pages 64–65 for current system part number information.

Duramax[®] 180° machine torch parts

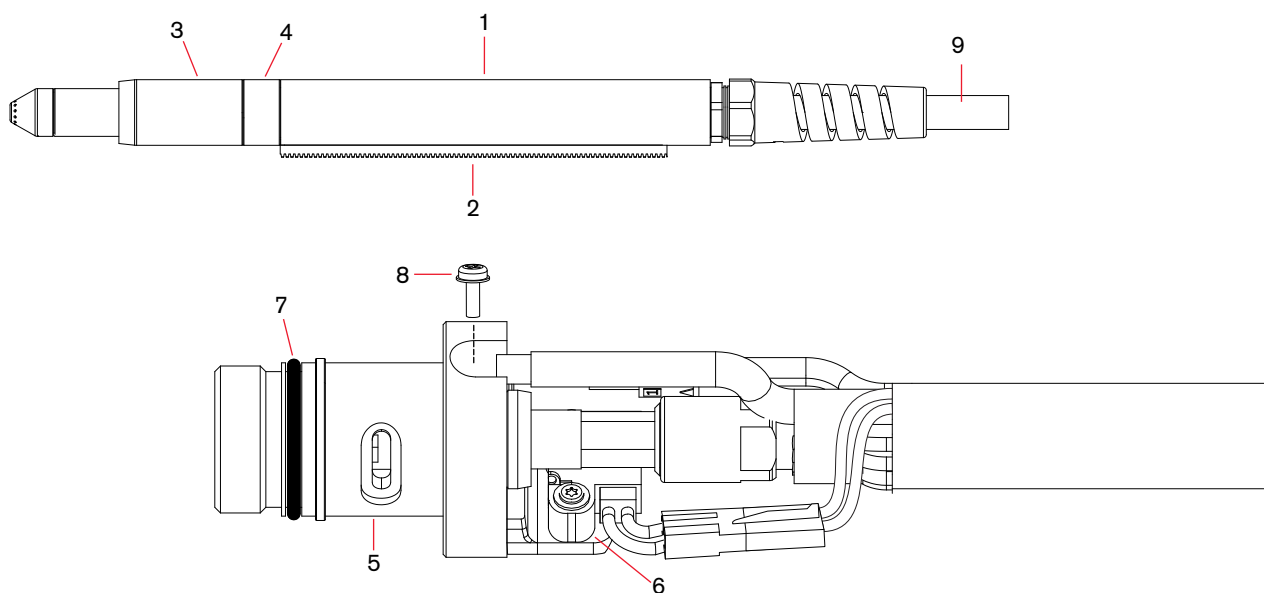
For use with the Powermax85[®]



Duramax 180° machine torch assembly

Item	Kit/Part number	Description
	059476	Duramax 180° machine torch assembly with 4.5 m (15') lead
	059477	Duramax 180° machine torch assembly with 7.6 m (25') lead
	059478	Duramax 180° machine torch assembly with 10.7 m (35') lead
	059479	Duramax 180° machine torch assembly with 15.2 m (50') lead
	059480	Duramax 180° machine torch assembly with 22.8 m (75') lead
1	228737	Kit: Duramax 180° positioning sleeve
2	228738	Kit: Duramax 180° removable gear rack
3	228735	Kit: Duramax 180°/Duramax 180° torch front mounting sleeve
4	228736	Kit: Duramax 180°/Duramax 180° torch adapter ring (coupler)
5	228716	Kit: Duramax 180°/Duramax 180° torch main body replacement
6	228720	Kit: Cap-sensor switch replacement
7	058519	O-ring
8	075504	Pilot terminal screw
9	228730	Kit: Duramax 180°/Duramax 180° torch lead replacement, 4.5 m (15')
9	228731	Kit: Duramax 180°/Duramax 180° torch lead replacement, 7.6 m (25')
9	228732	Kit: Duramax 180°/Duramax 180° torch lead replacement, 10.7 m (35')
9	228733	Kit: Duramax 180°/Duramax 180° torch lead replacement, 15.2 m (50')
9	228734	Kit: Duramax 180°/Duramax 180° torch lead replacement, 22.8 m (75')
	128650	Remote start pendant for machine torch, 7.6 m (25')
	128651	Remote start pendant for machine torch, 15.2 m (50')
	128652	Remote start pendant for machine torch, 22.8 m (75')
	223035 ¹	Kit: 85 A Work lead with hand clamp, 7.6 m (25')

¹Other work lead options available.



See pages 64–65 for current system part number information.

Duramax® 180° mini machine torch parts

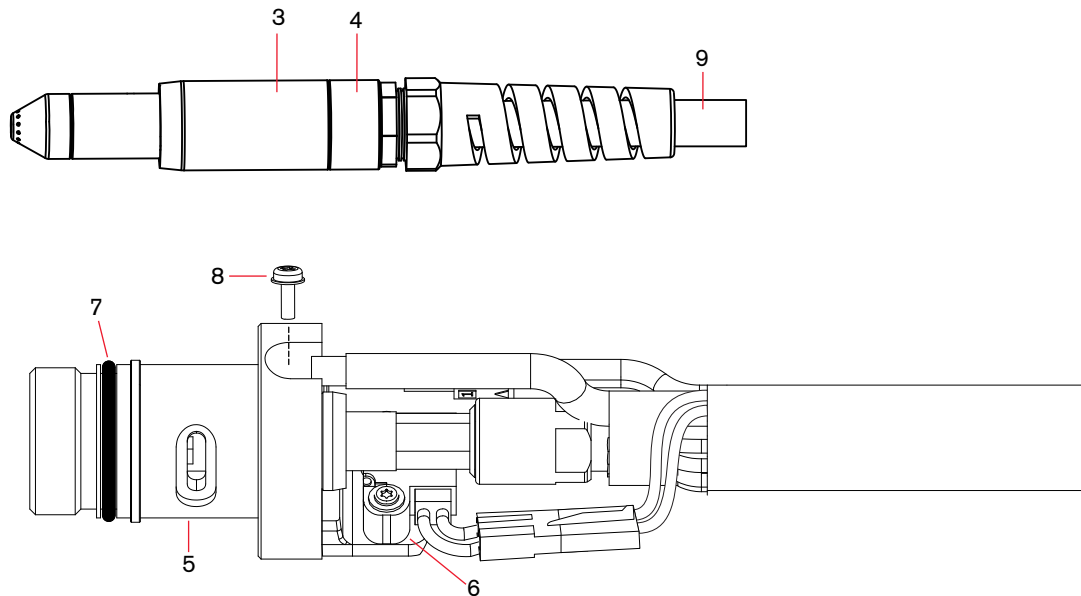
For use with the Powermax85®



Duramax 180° mini machine torch assembly

Item	Kit/Part number	Description
	059481	Duramax 180° mini machine torch assembly with 4.5 m (15') lead
	059482	Duramax 180° mini machine torch assembly with 7.6 m (25') lead
	059483	Duramax 180° mini machine torch assembly with 10.7 m (35') lead
	059484	Duramax 180° mini machine torch assembly with 15.2 m (50') lead
3	220956	Kit: Duramax 180°/Duramax 180° mini torch front mounting sleeve
4	228736	Kit: Duramax 180°/Duramax 180° mini torch adapter ring (coupler)
5	228716	Kit: Duramax 180°/Duramax 180° mini torch main body replacement
6	228720	Kit: Cap-sensor switch replacement
7	058519	O-ring
8	075504	Pilot terminal screw
9	228730	Kit: Duramax 180°/Duramax 180° mini torch lead replacement, 4.5 m (15')
9	228731	Kit: Duramax 180°/Duramax 180° mini torch lead replacement, 7.6 m (25')
9	228732	Kit: Duramax 180°/Duramax 180° mini torch lead replacement, 10.7 m (35')
9	228733	Kit: Duramax 180°/Duramax 180° mini torch lead replacement, 15.2 m (50')
9	228734	Kit: Duramax 180°/Duramax 180° mini torch lead replacement, 22.8 m (75')
	128650	Remote start pendant for machine torch, 7.6 m (25')
	128651	Remote start pendant for machine torch, 15.2 m (50')
	128652	Remote start pendant for machine torch, 22.8 m (75')
	223035	Kit: 85 A Work lead with hand clamp, 7.6 m (25')

¹Other work lead options available.



See pages 64–65 for current system part number information.

Duramax[®] 180° robotic torch parts

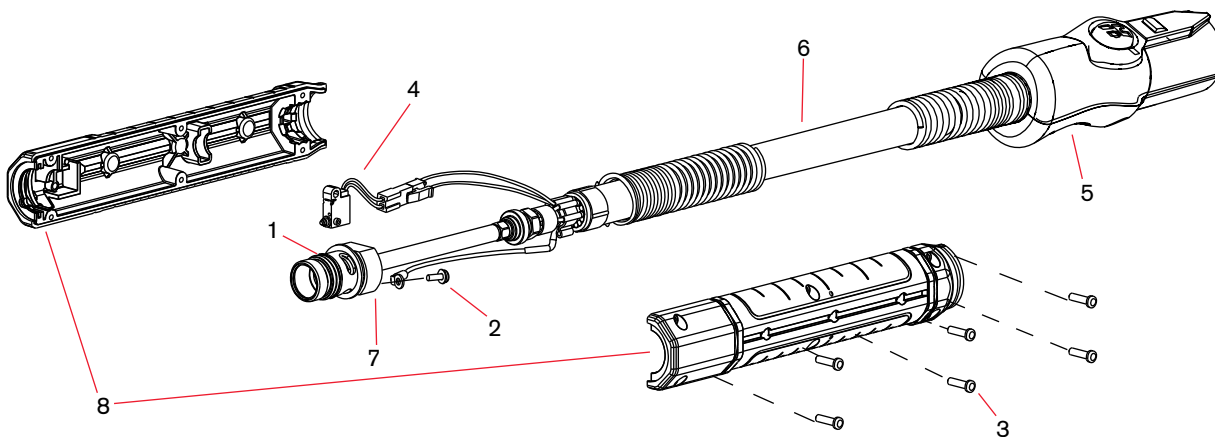
For use with the Powermax85[®]



Duramax 180° robotic torch assembly

The entire Duramax 180° robotic torch assembly with leads can be replaced, or individual component parts can be replaced.

Item	Kit/Part number	Description
	059466	Duramax 180° robotic torch assembly with 7.6 m (25') lead
	059587	Duramax 180° robotic torch assembly with 15.2 m (50') lead
1	058519	O-ring
2	075504	Pilot terminal screw
3	075714	#4 x 1/2 slotted TORX pan head screws
4	228109	Kit: Cap-sensor switch replacement
5	428260	Kit: FastConnect replacement
6	228852	Kit: Robotic torch lead replacement, 7.6 m (25')
7	228853	Kit: 180° Robotic torch main body replacement
8	228856	Kit: 180° Robotic torch positioning barrel replacement
	228806	Kit: Robotic torch clamp assembly



Duramax® 90° robotic torch parts

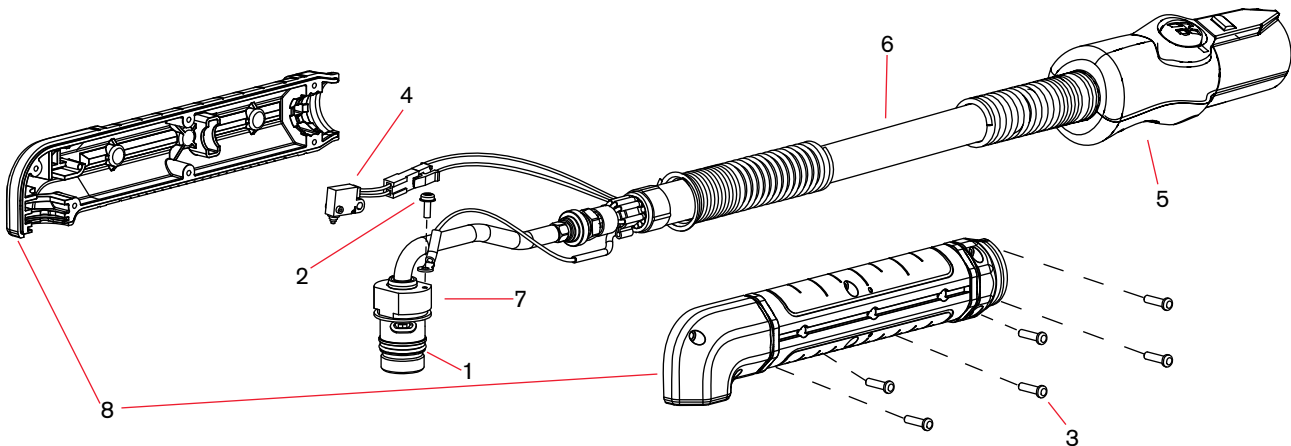
For use with the Powermax85®



Duramax 90° robotic torch assembly

The entire Duramax 90° robotic torch assembly with leads can be replaced, or individual component parts can be replaced.

Item	Kit/Part number	Description
	059465	Duramax 90° robotic torch assembly with 7.6 m (25') lead
	059586	Duramax 90° robotic torch assembly with 15.2 m (50') lead
1	058519	O-ring
2	075504	Pilot terminal screw
3	075714	#4 x 1/2 slotted TORX pan head screws
4	228109	Kit: Cap-sensor switch replacement
5	428260	Kit: FastConnect replacement
6	228852	Kit: Robotic torch lead replacement, 7.6 m (25')
7	228854	Kit: 90° Robotic torch main body replacement
8	228857	Kit: 90° Robotic torch positioning barrel replacement
	228806	Kit: Robotic torch clamp assembly



See pages 64-65 for current system part number information.

Duramax® 45° robotic torch parts

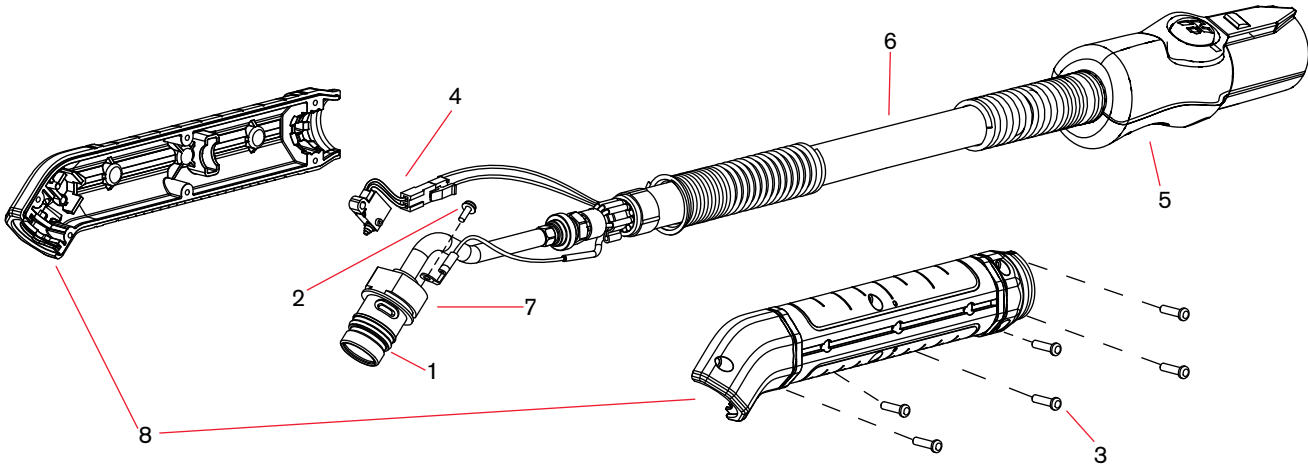
For use with the Powermax85®



Duramax 45° robotic torch assembly

The entire Duramax 45° robotic torch assembly with leads can be replaced, or individual component parts can be replaced.

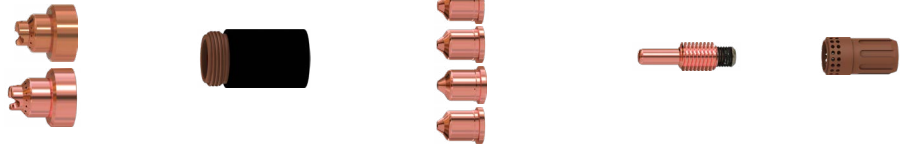
Item	Kit/Part number	Description
	059464	Duramax 45° robotic torch assembly with 7.6 m (25') lead
	059585	Duramax 45° robotic torch assembly with 15.2 m (50') lead
1	058519	O-ring
2	075504	Pilot terminal screw
3	075714	#4 x 1/2 slotted TORX pan head screws
4	228109	Kit: Cap-sensor switch replacement
5	428260	Kit: FastConnect replacement
6	228852	Kit: Robotic torch lead replacement, 7.6 m (25')
7	228855	Kit: 45° Robotic torch main body replacement
8	228858	Kit: 45° Robotic torch positioning barrel replacement
	228806	Kit: Robotic torch clamp assembly





Powermax105®

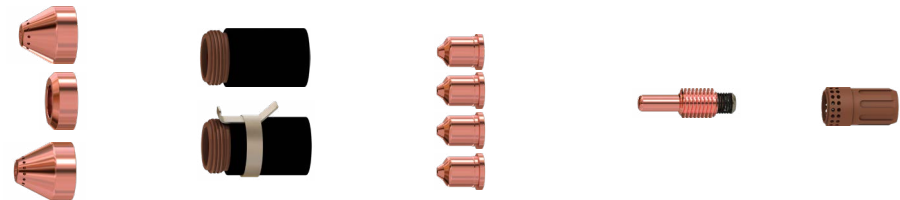
Duramax® hand/machine torch consumables



Minimum order quantity		1	1	5	5	1
Consumable type	Torch type	Shield/deflector	Retaining cap	Nozzle	Electrode	Swirl ring
Drag-cutting (30-105 A)	Hand	220818 ² (45 A)	220854	220941 ² (45 A)	220842 ² or 220777 ^{1,2}	220994
		220818 ² (65 A)		220819 ² (65 A)		
		220818 ² (85 A)		220816 ² (85 A)		
		220992 ² (105 A)		220990 (105 A)		
Quantity in kit		2	1	7	7	1
Essential cutting kit – 851471 (30-105 A)	Hand	220992	220854	220990	220842	220994



¹For longer consumable life when cutting metal 1/2 inch (12 mm) and under, check out the CopperPlus electrode (part number 220777).
²Consumable available in bulk packaging. See order information below.



Minimum order quantity		1	1	5	5	1					
Consumable type	Torch type	Shield/deflector	Retaining cap	Nozzle	Electrode	Swirl ring					
Mechanized (30-105 A)	Machine	220817 ² or 220955 ³ (45 A)	220854 or 220953 ohmic	220941 ² (45 A)	220842 ² or 220777 ^{1,2}	220994					
		220817 ² or 220955 ³ (65 A)		220819 ² (65 A)							
		220817 ² or 220955 ³ (85 A)		220816 ² (85 A)							
		220993 ² or 220955 ³ (105 A)		220990 ² (105 A)							
Quantity in kit		1	1	7	4	3					
Essential cutting kit – 851472 or 851473 (ohmic) (30-105 A)	Machine	220817 (Shield)	220955 (Deflector)	220993 105 A (Shield)	220854 or 220953 ohmic	220990 (85-105 A)	220819 (65 A)	220816 (85 A)	220842 (Cutting)	220777 (CopperPlus)	220994



¹For longer consumable life when cutting metal 1/2 inch (12 mm) and under, check out the CopperPlus electrode (part number 220777).
²Consumable available in bulk packaging. See order information below.
³Deflector for unshielded cutting.



Minimum order quantity		1	1	5	5	1
Consumable type	Torch type	Shield/deflector	Retaining cap	Nozzle	Electrode	Swirl ring
Max removal gouging ⁴ (45-105 A)	Hand/Machine	220798	220854	220797 (45 A)	220842 ²	220994
Max control gouging ⁵ (45-105 A)	Hand/Machine			220797 (65 A)		
				220797 (85 A)		
				220991 (105 A)		

²Consumable available in bulk packaging. See order information below.
⁴The Max removal gouging shield is designed for aggressive metal removal, deep gouge profiles and extreme metal washing.
⁵The Max control gouging shield is designed for more precise metal removal, shallower gouge profiles and light metal washing.



Minimum order quantity		1	1	5	5	1
Consumable type	Torch type	Shield/deflector	Retaining cap	Nozzle	Electrode	Swirl ring
FineCut® (30-45 A)	Hand	220931	220854 or 220953 (ohmic)	220930 ²	220842 ²	220947
	Machine	220955 or 220948 (ohmic)				

²Consumable available in bulk packaging. See order information below.



Minimum order quantity		1	1	1	1	1
Consumable type	Torch type	Retaining cap	Nozzle	Electrode	Swirl ring	
HyAccess drag-cutting (30-65 A)	Hand	420413	420410	420408	220857 or 220994	
HyAccess gouging (30-65 A)			420412			
Quantity in kit		1	1	1	2	1
HyAccess kit – 428414 (30-65 A)	Hand	420413	420410 (cutting)	420412 (gouging)	420408	220857
		HyAccess cutting only starter pack – 428445 ⁵ HyAccess gouging only starter pack – 428446 ⁷				



Warning: The Duramax HyAccess (65 amps and below) consumables should not be operated above 65 amps

⁵Starter pack contains 1 retaining cap (420413), 1 cutting nozzle (420410) and 1 electrode (420408)

⁷Starter pack contains 1 retaining cap (420413), 1 gouging nozzle (420412) and 1 electrode (420408)



Minimum order quantity		1	1	1	5	1
Consumable type	Torch type	Retaining ring	Retaining cap	Nozzle/shield assembly	Electrode	Swirl ring
FlushCut (30-45 A) ²	Hand/Machine	420540	420536	420633	420635	420634
FlushCut (65-105 A) ²	Hand/Machine	420540	420536	420533	220842 or 220777 ¹	420539
Quantity in kit		1	1	1	1	1
FlushCut kit – 428647 (65-105 A)	Hand/Machine	420540	420536	420533	220842	420539

¹For longer consumable life when cutting metal 1/2 inch (12 mm) and under, check out the CopperPlus electrode (part number 220777).

²Using the 45 amp FlushCut consumables on the Powermax105 above 45 amps will cause premature consumable damage.

Duramax® consumable bulk kits

Order quantity	25	25	25	25	25	25	25	25	25	10	10	10	10
Bulk kit part number	228934	228767	228760	228759	228761	228762	228765	228797	228796	228798	228799	228763	228764
Contents	220777 electrode	220842 electrode	220816 nozzle	220819 nozzle	220930 nozzle	220797 nozzle	220941 nozzle	220990 nozzle	220991 nozzle	220992 shield	220993 shield	220817 shield	220818 shield



See pages 64-65 for current system part number information.

Duramax® 75° hand torch parts

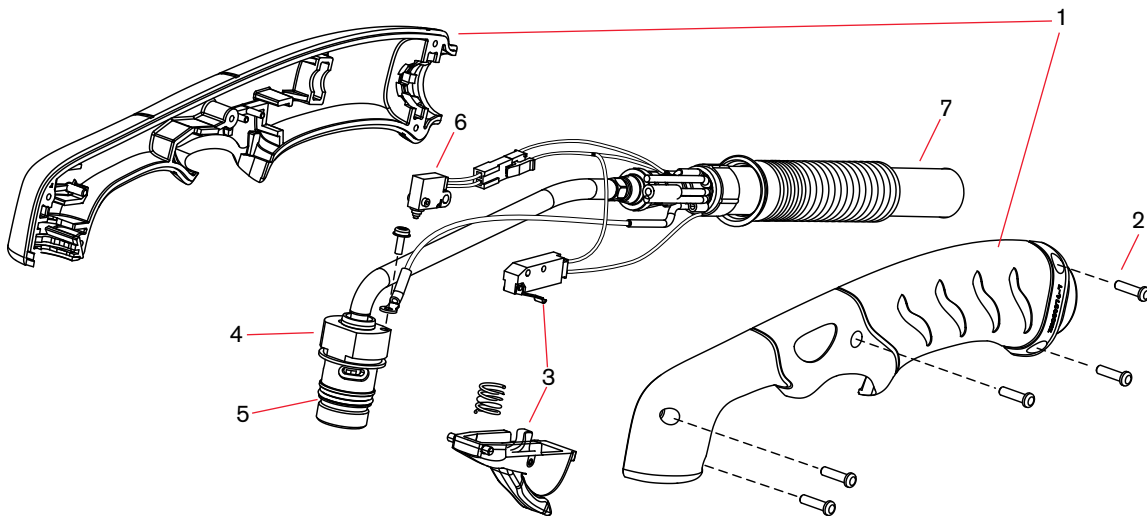
For use with the Powermax105®



Duramax 75° hand torch assembly

Item	Kit/Part number	Description
	059473	Duramax 75° hand torch assembly with 7.6 m (25') lead
	059474	Duramax 75° hand torch assembly with 15.2 m (50') lead
	059475	Duramax 75° hand torch assembly with 22.8 m (75') lead
1	228954	Kit: Duramax 75°/HRT Torch handle replacement
2	075714	Handle screws, #4 x 1/2 slotted TORX pan head, S/B
3	228721	Kit: Duramax 75°/Duramax 15°/HRT/HRTs (spring and trigger assembly)
4	228958	Kit: Duramax 75° Torch main body replacement
5	058519	O-ring
6	228719	Kit: Duramax 75° Cap-sensor switch replacement
7	228959	Kit: Duramax 75° Torch lead replacement, 7.6 m (25')
7	228960	Kit: Duramax 75° Torch lead replacement, 15.2 m (50')
7	228961	Kit: Duramax 75° Torch lead replacement, 22.8 m (75')
	223254 ¹	Kit: 105 A Work lead with hand clamp, 7.6 m (25')

¹Other work lead options available.



Duramax® 15° hand torch parts

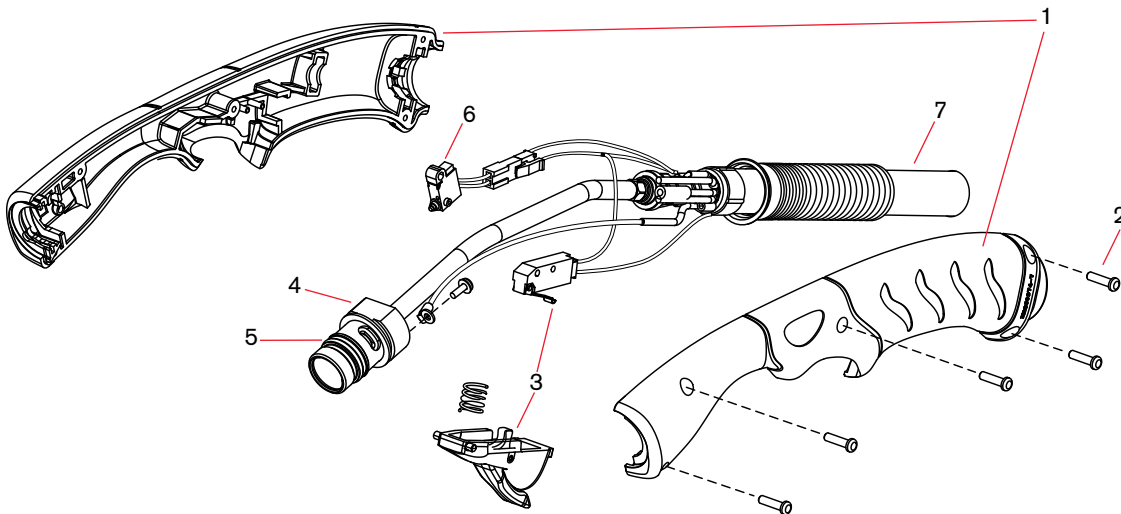
For use with the Powermax105®



Duramax 15° hand torch assembly

Item	Kit/Part number	Description
	059470	Duramax 15° hand torch assembly with 7.6 m (25') lead
	059471	Duramax 15° hand torch assembly with 15.2 m (50') lead
	059472	Duramax 15° hand torch assembly with 22.8 m (75') lead
1	228955	Kit: Duramax 15° Torch handle replacement
2	075714	Handle screws, #4 x 1/2 slotted TORX pan head, S/B
3	228721	Kit: Duramax 15°/Duramax 75°/HRT/HRTs (spring and trigger assembly)
4	228957	Kit: Duramax 15° Torch main body replacement
5	058519	O-ring
6	228109	Kit: Duramax 15° Cap-sensor switch replacement
7	228959	Kit: Duramax 15° Torch lead replacement, 7.6 m (25')
7	228960	Kit: Duramax 15° Torch lead replacement, 15.2 m (50')
7	228961	Kit: Duramax 15° Torch lead replacement, 22.8 m (75')
	223254 ¹	Kit: 105 A Work lead with hand clamp, 7.6 m (25')

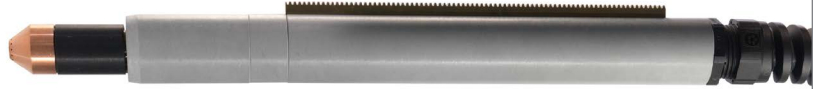
¹Other work lead options available.



See pages 64–65 for current system part number information.

Duramax[®] 180° machine torch parts

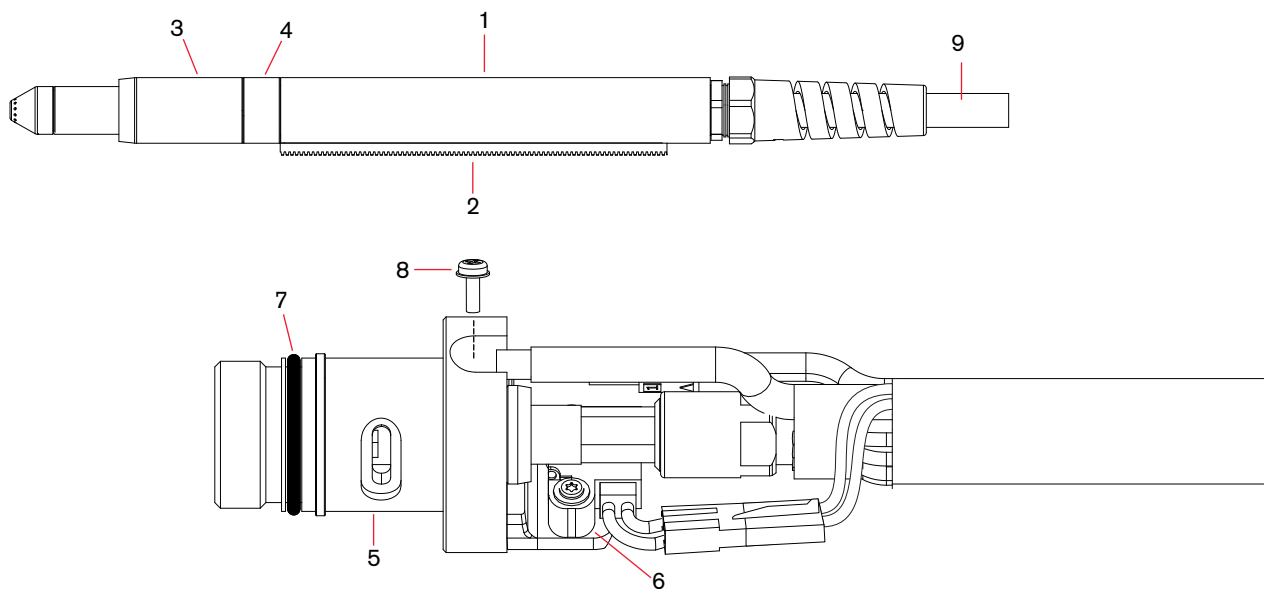
For use with the Powermax105[®]



Duramax 180° machine torch assembly

Item	Kit/Part number	Description
	059476	Duramax 180° machine torch assembly with 4.5 m (15') lead
	059477	Duramax 180° machine torch assembly with 7.6 m (25') lead
	059478	Duramax 180° machine torch assembly with 10.7 m (35') lead
	059479	Duramax 180° machine torch assembly with 15.2 m (50') lead
	059480	Duramax 180° machine torch assembly with 22.8 m (75') lead
1	228737	Kit: Duramax 180° positioning sleeve
2	228738	Kit: Duramax 180° removable gear rack
3	228735	Kit: Duramax 180°/Duramax 180° torch front mounting sleeve
4	228736	Kit: Duramax 180°/Duramax 180° torch adapter ring (coupler)
5	228716	Kit: Duramax 180°/Duramax 180° torch main body replacement
6	228720	Kit: Cap-sensor switch replacement
7	058519	O-ring
8	075504	Pilot terminal screw
9	228730	Kit: Duramax 180°/Duramax 180° torch lead replacement, 4.5 m (15')
9	228731	Kit: Duramax 180°/Duramax 180° torch lead replacement, 7.6 m (25')
9	228732	Kit: Duramax 180°/Duramax 180° torch lead replacement, 35' (10. m)
9	228733	Kit: Duramax 180°/Duramax 180° torch lead replacement, 15.2 m (50')
9	228734	Kit: Duramax 180°/Duramax 180° torch lead replacement, 22.8 m (75')
	128650	Remote start pendant for machine torch, 7.6 m (25')
	128651	Remote start pendant for machine torch, 15.2 m (50')
	128652	Remote start pendant for machine torch, 22.8 m (75')
	223254 ¹	Kit: 105 A Work lead with hand clamp, 7.6 m (25')

¹Other work lead options available.



See pages 64–65 for current system part number information.

Duramax® 180° mini machine torch parts

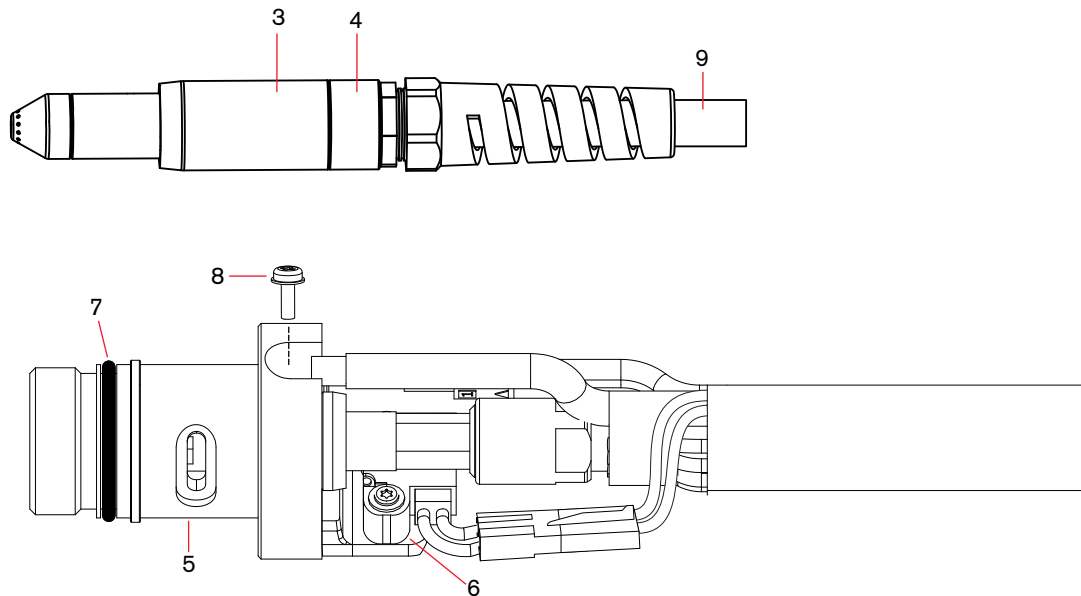
For use with the Powermax105®



Duramax 180° mini torch assembly

Item	Kit/Part number	Description
	059481	Duramax 180° mini machine torch assembly with 4.5 m (15') lead
	059482	Duramax 180° mini machine torch assembly with 7.6 m (25') lead
	059483	Duramax 180° mini machine torch assembly with 10.7 m (35') lead
	059484	Duramax 180° mini machine torch assembly with 15.2 m (50') lead
3	220956	Kit: Duramax 180°/Duramax 180° mini torch front mounting sleeve
4	228736	Kit: Duramax 180°/Duramax 180° mini torch adapter ring (coupler)
5	228716	Kit: Duramax 180°/Duramax 180° mini torch main body replacement
6	228720	Kit: Cap-sensor switch replacement
7	058519	O-ring
8	075504	Pilot terminal screw
9	228730	Kit: Duramax 180°/Duramax 180° mini torch lead replacement, 4.5 m (15')
9	228731	Kit: Duramax 180°/Duramax 180° mini torch lead replacement, 7.6 m (25')
9	228732	Kit: Duramax 180°/Duramax 180° mini torch lead replacement, 10.7 m (35')
9	228733	Kit: Duramax 180°/Duramax 180° mini torch lead replacement, 15.2 m (50')
9	228734	Kit: Duramax 180°/Duramax 180° mini torch lead replacement, 22.8 m (75')
	128650	Remote start pendant for machine torch, 7.6 m (25')
	128651	Remote start pendant for machine torch, 15.2 m (50')
	128652	Remote start pendant for machine torch, 22.8 m (75')
	223254 ¹	Kit: 105 A Work lead with hand clamp, 7.6 m (25')

¹Other work lead options available.



See pages 64–65 for current system part number information.

Duramax® 180° robotic torch parts

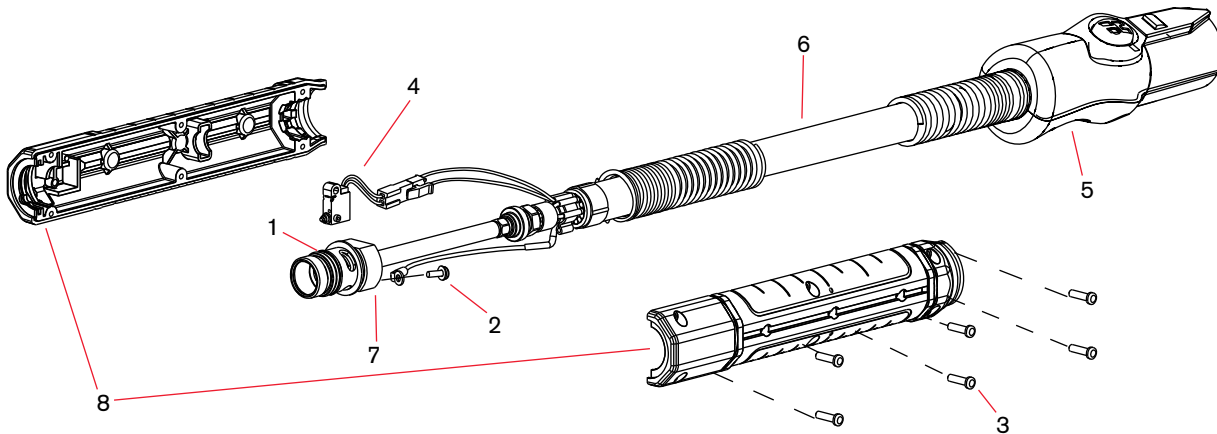
For use with the Powermax105®



Duramax 180° robotic torch assembly

The entire Duramax 180° robotic torch assembly with leads can be replaced, or individual component parts can be replaced.

Item	Kit/Part number	Description
	059466	Duramax 180° robotic torch assembly with 7.6 m (25') lead
	059587	Duramax 180° robotic torch assembly with 15.2 m (50') lead
1	058519	O-ring
2	075504	Pilot terminal screw
3	075714	#4 x 1/2 slotted TORX pan head screw
4	228109	Kit: Cap-sensor switch replacement
5	428260	Kit: FastConnect replacement
6	228852	Kit: Robotic torch lead replacement, 7.6 m (25')
7	228853	Kit: 180° Robotic torch main body replacement
8	228856	Kit: 180° Robotic torch positioning barrel replacement
	228806	Kit: Robotic torch clamp assembly



Duramax® 90° robotic torch parts

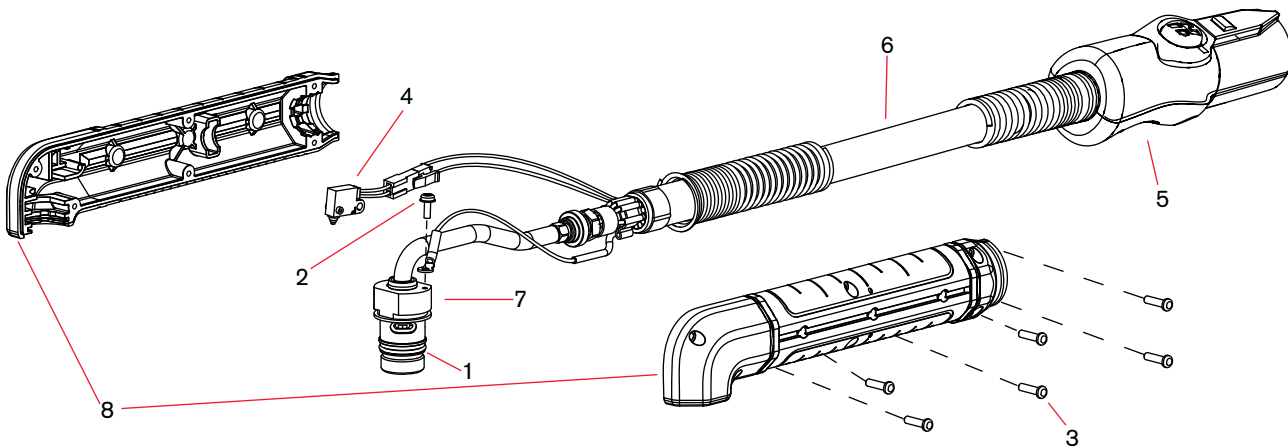
For use with the Powermax105®



Duramax 90° robotic torch assembly

The entire Duramax 90° robotic torch assembly with leads can be replaced, or individual component parts can be replaced.

Item	Kit/Part number	Description
	059465	Duramax 90° robotic torch assembly with 7.6 m (25') lead
	059586	Duramax 90° robotic torch assembly with 15.2 m (50') lead
1	058519	O-ring
2	075504	Pilot terminal screw
3	075714	#4 x 1/2 slotted TORX pan head screws
4	228109	Kit: Cap-sensor switch replacement
5	428260	Kit: FastConnect replacement
6	228852	Kit: Robotic torch lead replacement, 7.6 m (25')
7	228854	Kit: 90° Robotic torch main body replacement
8	228857	Kit: 90° Robotic torch positioning barrel replacement
	228806	Kit: Robotic torch clamp assembly



See pages 64–65 for current system part number information.

Duramax® 45° robotic torch parts

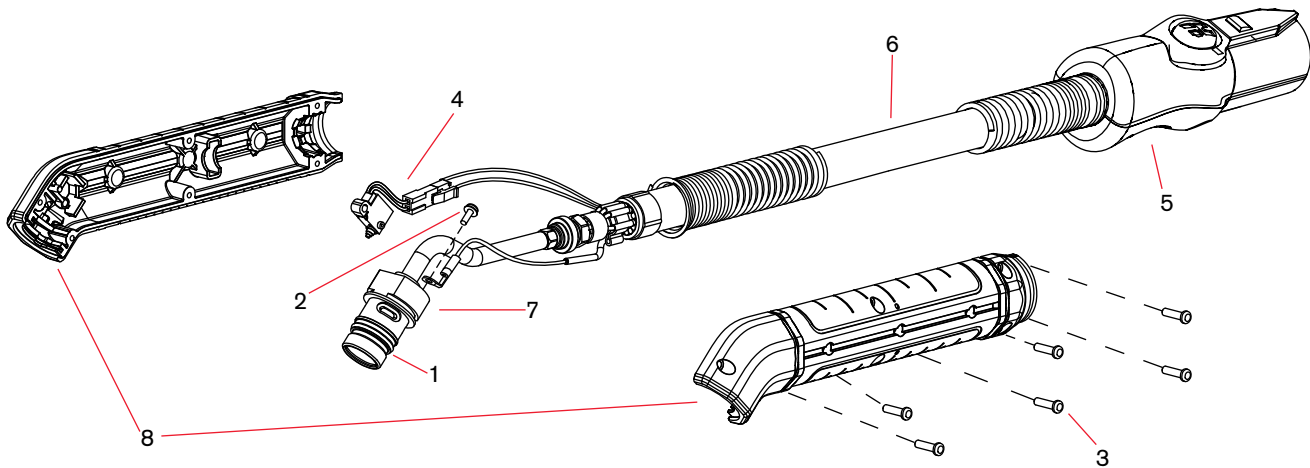
For use with the Powermax105®



Duramax 45° robotic torch assembly

The entire Duramax 45° robotic torch assembly with leads can be replaced, or individual component parts can be replaced.

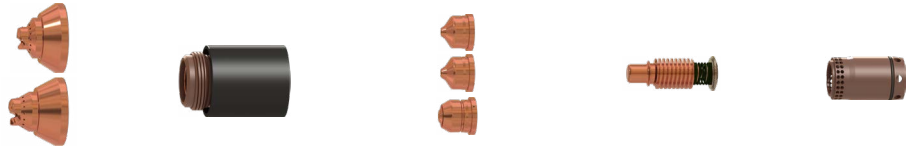
Item	Kit/Part number	Description
	059464	Duramax 45° robotic torch assembly with 7.6 m (25') lead
	059585	Duramax 45° robotic torch assembly with 15.2 m (50') lead
1	058519	O-ring
2	075504	Pilot terminal screw
3	075714	#4 x 1/2 slotted TORX pan head screws
4	228109	Kit: Cap-sensor switch replacement
5	428260	Kit: FastConnect replacement
6	228852	Kit: Robotic torch lead replacement, 7.6 m (25')
7	228855	Kit: 45° Robotic torch main body replacement
8	228858	Kit: 45° Robotic torch positioning barrel replacement
	228806	Kit: Robotic torch clamp assembly



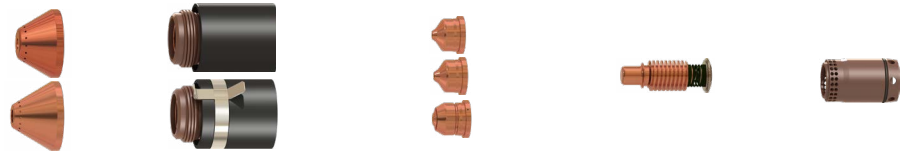


Powermax125®

Duramax® Hyamp hand/machine torch consumables



Minimum order quantity		1	1	5	5	1
Consumable type	Torch type	Shield/deflector	Retaining cap	Nozzle	Electrode	Swirl ring
Drag-cutting (30-125 A)	Hand	420172 (45 A)	220977	420158 (45 A)	220971	220997
		420172 (65 A)		420169 (65 A)		
		420000 (125 A)		220975 (125 A)		
Quantity in kit		2	1	6	6	1
Essential cutting kit – 851474 (30-125 A)	Hand	420000	220977	220975	220971	220997



Minimum order quantity		1	1	5	5	1
Consumable type	Torch type	Shield/deflector	Retaining cap	Nozzle	Electrode	Swirl ring
Mechanized (30-125 A)	Machine	420168 (45 A)	220977 or 420156 (ohmic)	420158 (45 A)	220971	220997
		420168 (65 A)		420169 (65 A)		
		220976 (65-125 A)		220975 (125 A)		
Quantity in kit		2	1	1	4	6
Essential cutting kit – 851475 or 851476 (ohmic) (30-125 A)	Machine	420168 (45-65 A) 220976 (65-125 A)	220977 or 420156 ohmic	420158 (65 A) 420169 (105 A)	220975	220971



Minimum order quantity		1	1	5	5	1
Consumable type	Torch type	Shield/deflector	Retaining cap	Nozzle	Electrode	Swirl ring
Max removal gouging ¹ (65-125 A)	Hand/Machine	420112	220977	420001	220971	220997
Max control gouging ² (65-125 A)	Hand/Machine	420509				

¹The Max removal gouging shield is designed for aggressive metal removal, a deep gouge profiles and extreme metal washing.

²The Max control gouging shield is designed for more precise metal removal, shallower gouge profiles and light metal washing.



Minimum order quantity		1	1	5	5	1
Consumable type	Torch type	Shield/deflector	Retaining cap	Nozzle	Electrode	Swirl ring
FineCut® (30–45 A)	Hand Machine	420152	220977 or 420156 (ohmic)	420151	220971	420159 220997



Minimum order quantity		1	1	1	1	1
Consumable type	Torch type	Retaining ring	Retaining cap	Nozzle/shield assembly	Electrode	Swirl ring
Hyamp FlushCut (85–125 A)	Hand/Machine	420485	420490	420489	420553	420484
Quantity in kit		1	1	1	1	1
FlushCut kit – 428713 (85–125 A)	Hand/Machine	420485	420490	420489	420553	420484



See pages 64–65 for current system part number information.

Duramax® Hyamp™ 85° hand torch parts

For use with the Powermax125®



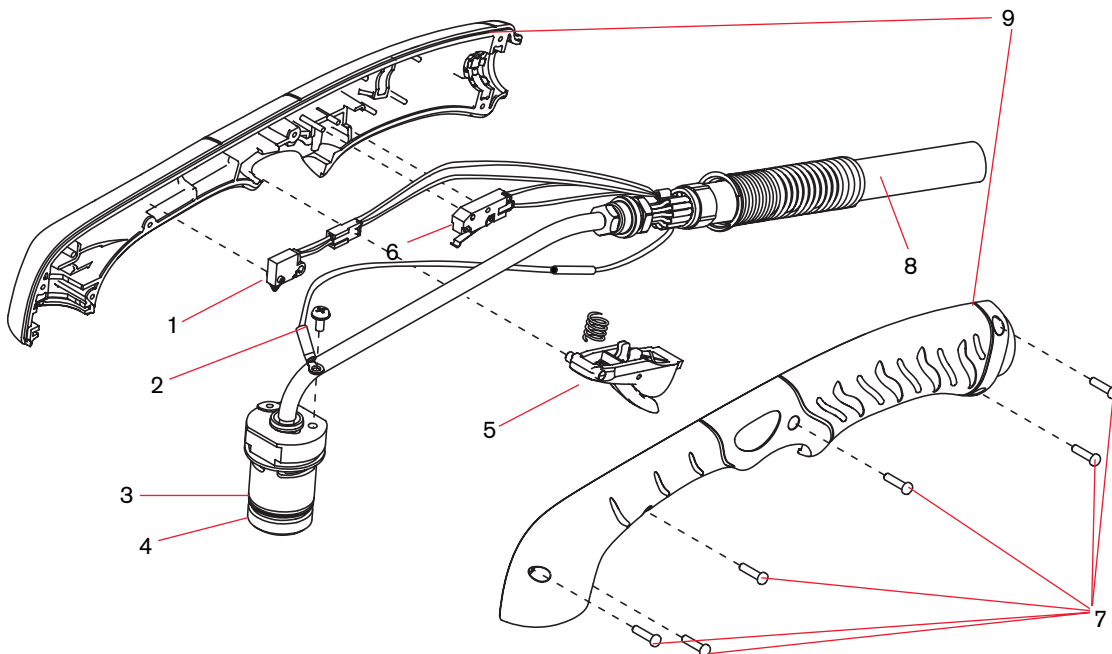
Duramax Hyamp 85° hand torch parts

The entire hand torch and lead assembly can be replaced, or individual component parts can be replaced. Use the following part numbers to replace the entire Duramax Hyamp 85° hand torch assembly. Part numbers starting with 059 indicate complete torch and lead assemblies. Please note Duramax Hyamp torches and consumables are also compatible for use with Powermax45 XP/65/85/105 systems.

Item	Kit/Part number	Description
	059492 ¹	Duramax Hyamp 85° hand torch assembly with 7.6 m (25') lead
	059493 ¹	Duramax Hyamp 85° hand torch assembly with 15 m (50') lead
	059494 ¹	Duramax Hyamp 85° hand torch assembly with 23 m (75') lead
	059665 ²	Duramax Hyamp 85° hand torch assembly with 45.7 m (150') lead
1	228719	Kit: Duramax and Duramax Hyamp hand torch cap-sensor switch
2	075696	Pilot terminal screw
3	428158	Kit: Duramax Hyamp 85° hand torch main body
4	428253	Kit: Duramax Hyamp O-ring (5)
5	428156	Kit: Duramax Hyamp hand torch trigger with spring
6	428162	Kit: Duramax Hyamp start switch
7	428148	Kit: Duramax Hyamp hand torch handle screws
8	428159	Kit: Duramax Hyamp hand torch lead, 7.6 m (25')
8	428160	Kit: Duramax Hyamp hand torch lead, 15 m (50')
8	428161	Kit: Duramax Hyamp hand torch lead, 23 m (75')
8	428762	Kit: Duramax Hyamp hand torch lead, 45.7 m (150')
9	428155	Kit: Duramax Hyamp 85° torch handle
	428260	Kit: Duramax and Duramax Hyamp torch quick disconnect repair (lead side)

¹The torch assembly does not include consumables.

²This torch is only compatible with Powermax125s built after November 14, 2017 (serial number 125-007944 or higher) or that have had the DSP board replaced with a board built after this date.



See pages 64–65 for current system part number information.

Duramax® Hyamp™ 15° hand torch parts

For use with the Powermax125®



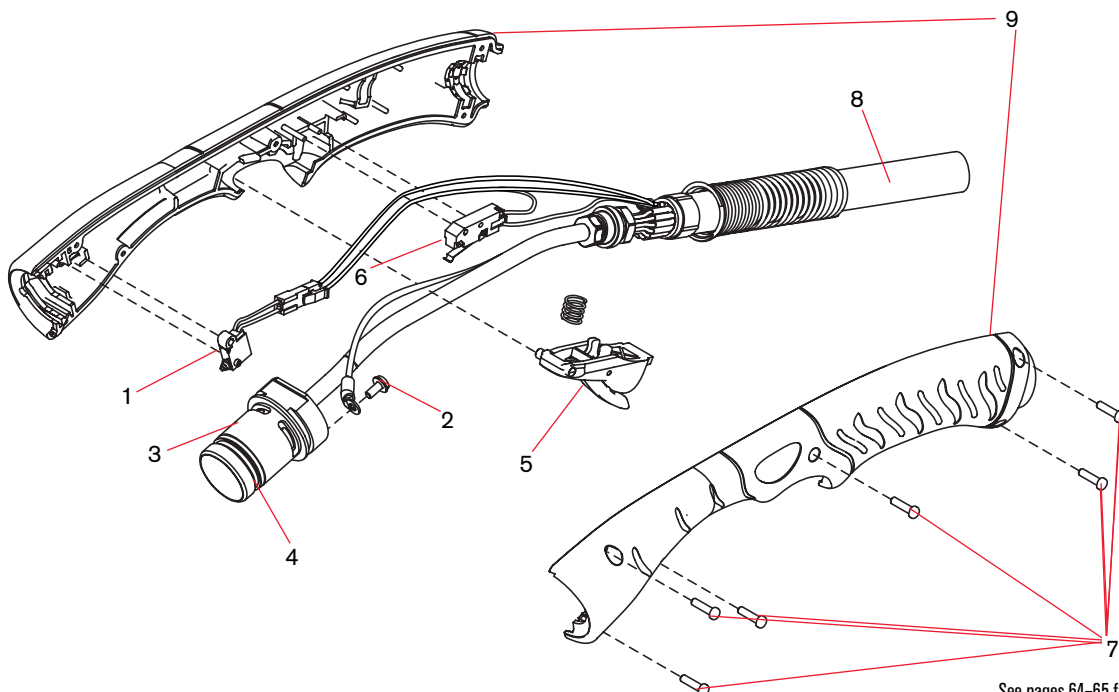
Duramax Hyamp 15° hand torch parts

The entire hand torch and lead assembly can be replaced, or individual component parts can be replaced. Use the following part numbers to replace the entire Duramax Hyamp 85° hand torch assembly. Part numbers starting with 059 indicate complete torch and lead assemblies. Please note Duramax Hyamp torches and consumables are also compatible for use with Powermax45 XP/65/85/105 systems.

Item	Kit/Part number	Description
	059495 ¹	Duramax Hyamp 15° hand torch assembly with 7.6 m (25') lead
	059496 ¹	Duramax Hyamp 15° hand torch assembly with 15 m (50') lead
	059497 ¹	Duramax Hyamp 15° hand torch assembly with 23 m (75') lead
	059664 ²	Duramax Hyamp 15° hand torch assembly with 45.7 m (150') lead
1	228719	Kit: Duramax and Duramax Hyamp hand torch cap-sensor switch
2	075696	Pilot terminal screw
3	428157	Kit: Duramax Hyamp 15° hand torch main body
4	428253	Kit: Duramax Hyamp O-ring (5)
5	428156	Kit: Duramax Hyamp hand torch trigger with spring
6	428162	Kit: Duramax Hyamp start switch
7	428148	Kit: Duramax Hyamp hand torch handle screws
8	428159	Kit: Duramax Hyamp hand torch lead, 7.6 m (25')
8	428160	Kit: Duramax Hyamp hand torch lead, 15 m (50')
8	428161	Kit: Duramax Hyamp hand torch lead, 23 m (75')
8	428762	Kit: Duramax Hyamp hand torch lead, 45.7 m (150')
9	428154	Kit: Duramax Hyamp 15° torch handle
	428260	Kit: Duramax and Duramax Hyamp torch quick disconnect repair (lead side)

¹The torch assembly does not include consumables.

²This torch is only compatible with Powermax125s built after November 14, 2017 (serial number 125-007944 or higher) or that have had the DSP board replaced with a board built after this date.



See pages 64–65 for current system part number information.

Duramax® Hyamp™ 180° full-length machine torch parts

For use with the Powermax125®

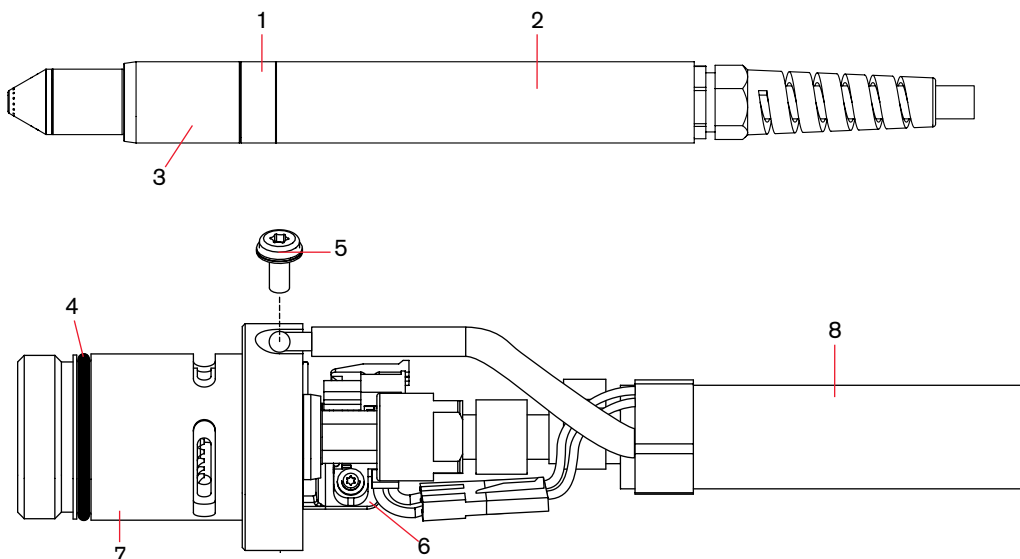


Duramax Hyamp 180° full-length machine torch assembly

The entire machine torch and lead assembly can be replaced, or individual component parts can be replaced. Use the following part numbers to replace the entire Duramax Hyamp 180° full-length machine torch assembly. Part numbers starting with 059 indicate complete torch and lead assemblies. The standard OD on Duramax Hyamp torches is 45 mm (1.75"). Please note Duramax Hyamp torches and consumables are also compatible for use with Powermax45 XP/65/85/105 systems.

Item	Kit/Part number	Description
	059519 ¹	Duramax Hyamp 180° full-length machine torch assembly with 4.6 m (15') lead
	059520 ¹	Duramax Hyamp 180° full-length machine torch assembly with 7.6 m (25') lead
	059521 ¹	Duramax Hyamp 180° full-length machine torch assembly with 10.7 m (35') lead
	059522 ¹	Duramax Hyamp 180° full-length machine torch assembly with 15 m (50') lead
	059523 ¹	Duramax Hyamp 180° full-length machine torch assembly with 23 m (75') lead
1	428248	Kit: Duramax Hyamp 180° machine torch coupler
2	428144	Kit: Duramax Hyamp 180° full-length machine torch positioning sleeve
3	428145	Kit: Duramax Hyamp 180° machine torch mounting sleeve
4	428253	Kit: Duramax Hyamp O-ring (5)
5	075696	Pilot terminal screw
6	228720	Kit: Duramax/Hyamp/MRT 180° machine torch cap-sensor switch
7	428147	Kit: Duramax Hyamp 180° machine torch main body
8	428149	Kit: Duramax Hyamp 180° machine torch lead, 4.6 m (15')
8	428150	Kit: Duramax Hyamp 180° machine torch lead, 7.6 m (25')
8	428151	Kit: Duramax Hyamp 180° machine torch lead, 10.7 m (35')
8	428152	Kit: Duramax Hyamp 180° machine torch lead, 15 m (50')
8	428153	Kit: Duramax Hyamp 180° machine torch lead, 23 m (75')
	428260	Kit: Duramax and Duramax Hyamp torch quick disconnect repair (lead side)

¹The torch assembly does not include consumables.



See pages 64–65 for current system part number information.

Duramax® Hyamp™ mini machine torch parts

For use with the Powermax125®



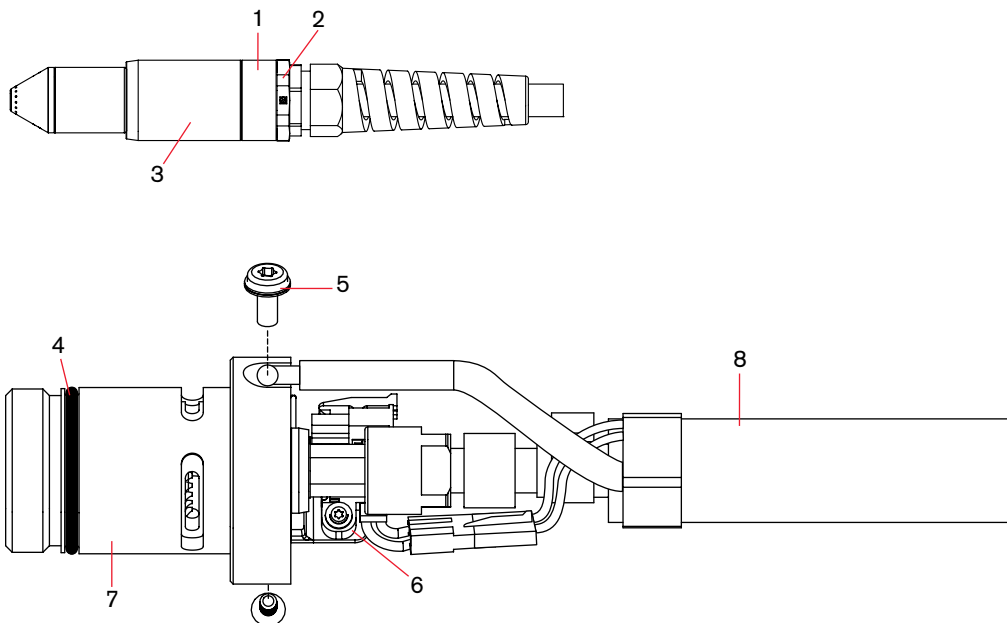
Duramax Hyamp 180° mini machine torch assembly

The entire machine torch and lead assembly can be replaced, or individual component parts can be replaced. Use the following part numbers to replace the entire Duramax Hyamp 180° mini machine torch assembly. Part numbers starting with 059 indicate complete torch and lead assemblies. Please note Duramax Hyamp torches and consumables are also compatible for use with Powermax45 XP/65/85/105 systems.

Item	Kit/Part number	Description
	059514 ¹	Duramax Hyamp 180° mini machine torch assembly with 4.6 m (15') lead
	059515 ¹	Duramax Hyamp 180° mini machine torch assembly with 7.6 m (25') lead
	059516 ¹	Duramax Hyamp 180° mini machine torch assembly with 10.7 m (35') lead
	059517 ¹	Duramax Hyamp 180° mini machine torch assembly with 15 m (50') lead
	059666 ²	Duramax Hyamp 180° mini machine torch assembly with 45.7 m (150') lead
1	428248	Kit: Duramax Hyamp 180° machine torch coupler
2	428146	Kit: Duramax Hyamp 180° mini machine torch adapter ring
3	428145	Kit: Duramax Hyamp 180° machine torch mounting sleeve
4	428253	Kit: Duramax Hyamp O-ring (5)
5	075696	Pilot terminal screw
6	228720	Kit: Duramax/Hyamp/MRT 180° machine torch cap-sensor switch
7	428147	Kit: Duramax Hyamp 180° machine torch main body
8	428149	Kit: Duramax Hyamp 180° machine torch lead, 4.6 m (15')
8	428150	Kit: Duramax Hyamp 180° machine torch lead, 7.6 m (25')
8	428151	Kit: Duramax Hyamp 180° machine torch lead, 10.7 m (35')
8	428152	Kit: Duramax Hyamp 180° machine torch lead, 15 m (50')
8	428761	Kit: Duramax Hyamp 180° machine torch lead, 45.7m (150')
	428260	Kit: Duramax and Duramax Hyamp torch quick disconnect repair (lead side)

¹The torch assembly does not include consumables.

²This torch is only compatible with Powermax125s built after November 14, 2017 (serial number 125-007944 or higher) or that have had the DSP board replaced with a board built after this date.



See pages 64–65 for current system part number information.

Duramax® Hyamp™ 180° robotic torch parts

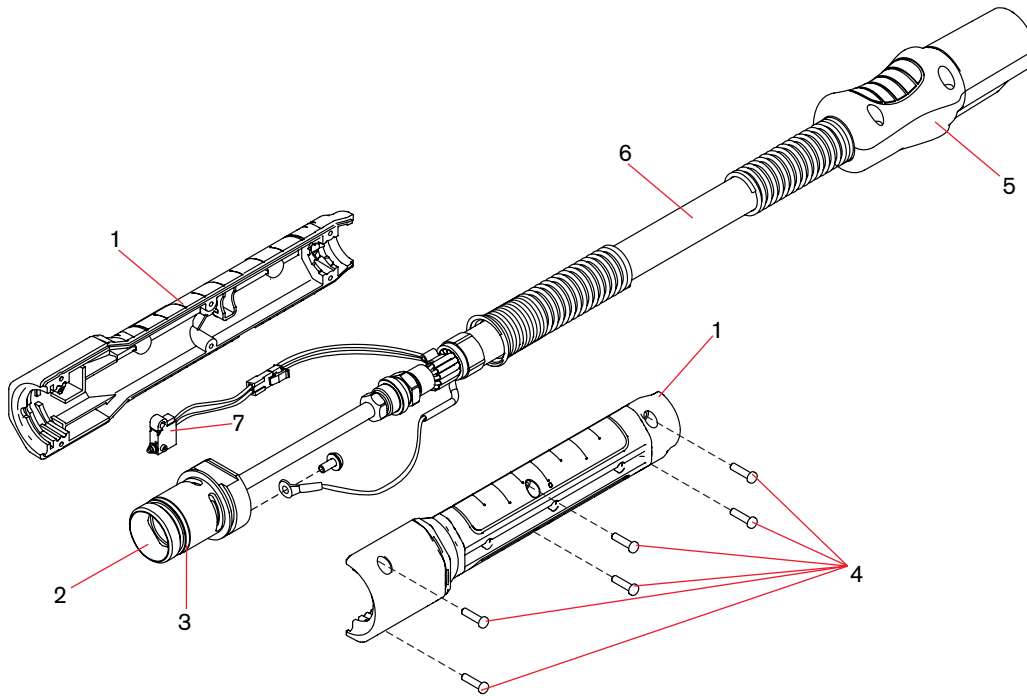
For use with the Powermax125®



Duramax Hyamp 180° robotic torch assembly

The entire Duramax Hyamp 180° robotic torch assembly with leads can be replaced, or individual component parts can be replaced. Please note Duramax Hyamp torches and consumables are also compatible for use with Powermax45 XP/65/85/105 systems.

Item	Kit/Part number	Description
	059566	Duramax Hyamp 180° robotic torch assembly with leads, 7.6 m (25')
1	428295	Kit: Duramax Hyamp 180° robotic torch barrel
2	428298	Kit: Duramax Hyamp 180° robotic torch main body
3	428253	O-ring (5)
4	075714	Positioning barrel screws
5	428260	Kit: FastConnect
6	428292	Kit: Duramax Hyamp robotic torch lead, 7.6 m (25')
7	228109	Kit: Cap-sensor switch
	228806	Kit: Robotic torch clamp assembly



Duramax® Hyamp™ 90° robotic torch parts

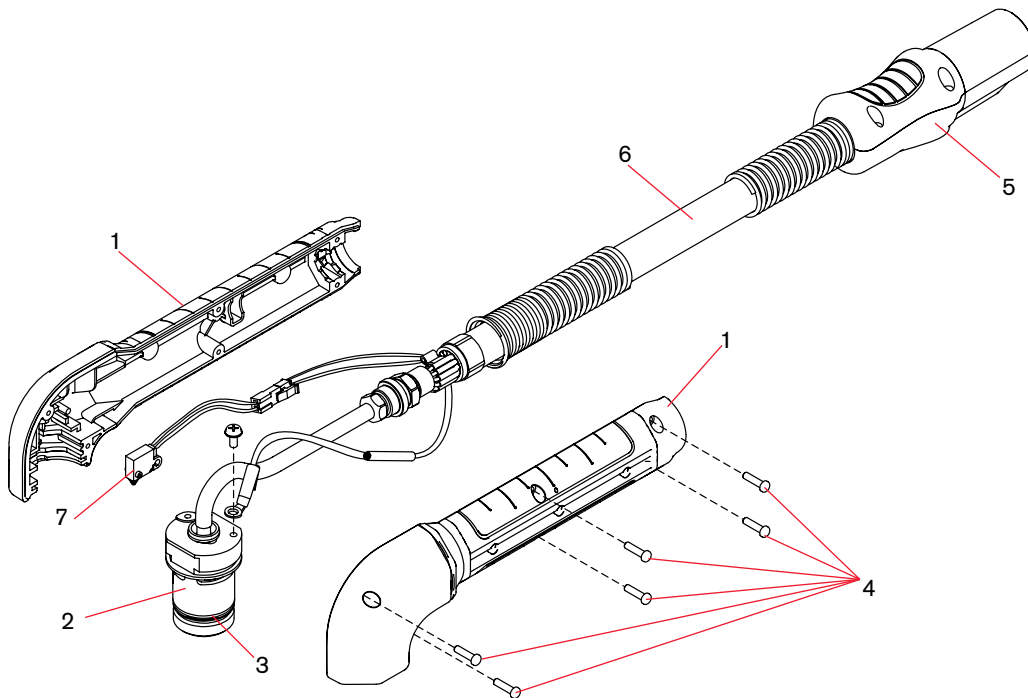
For use with the Powermax125®



Duramax Hyamp 90° robotic torch assembly

The entire Duramax Hyamp 90° robotic torch assembly with leads can be replaced, or individual component parts can be replaced. Please note Duramax Hyamp torches and consumables are also compatible for use with Powermax45 XP/65/85/105 systems.

Item	Kit/Part number	Description
	059565	Duramax Hyamp 90° robotic torch assembly with leads, 7.6 m (25')
1	428294	Kit: Duramax Hyamp 90° robotic torch barrel
2	428297	Kit: Duramax Hyamp 90° robotic torch main body
3	428253	O-ring (5)
4	075714	Positioning barrel screws
5	428260	Kit: FastConnect
6	428292	Kit: Duramax Hyamp robotic torch lead, 7.6 m (25')
7	228109	Kit: Cap-sensor switch
	228806	Kit: Robotic torch clamp assembly



See pages 64–65 for current system part number information.

Duramax® Hyamp™ 45° robotic torch parts

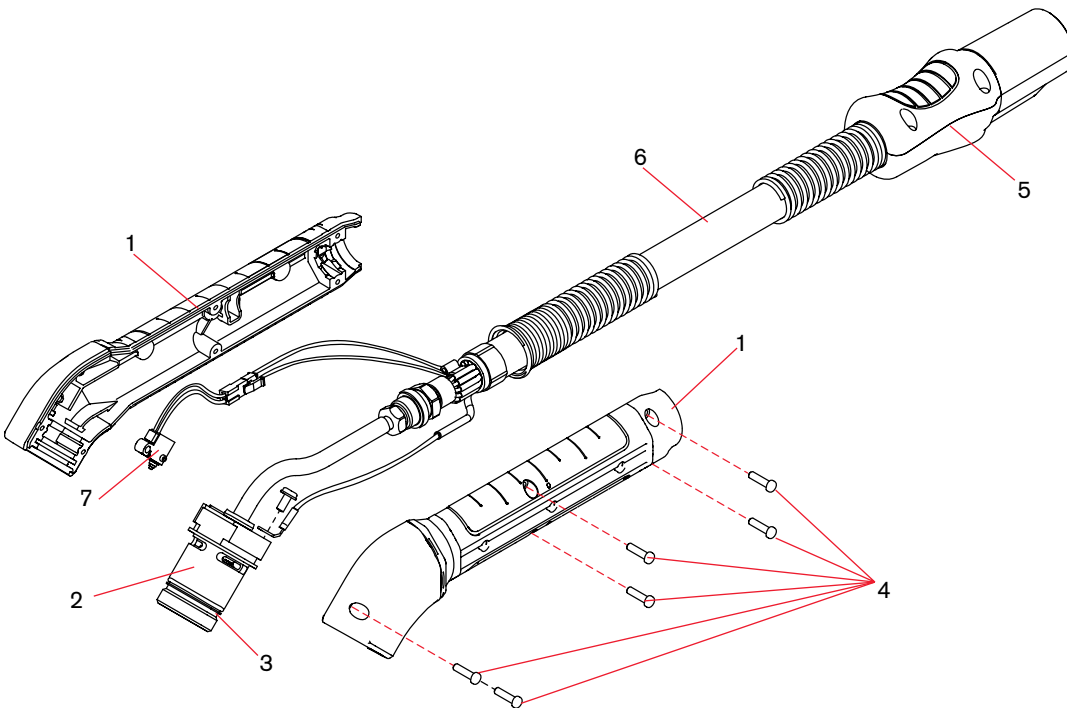
For use with the Powermax125®



Duramax Hyamp 45° robotic torch assembly

The entire Duramax Hyamp 45° robotic torch assembly with leads can be replaced, or individual component parts can be replaced. Please note Duramax Hyamp torches and consumables are also compatible for use with Powermax45 XP/65/85/105 systems.

Item	Kit/Part number	Description
	059564	Duramax Hyamp 45° robotic torch assembly with leads, 7.6 m (25')
1	428293	Kit: Duramax Hyamp 45° robotic torch barrel
2	428296	Kit: Duramax Hyamp 45° robotic torch main body
3	428253	O-ring (5)
4	075714	Positioning barrel screws
5	428260	Kit: FastConnect
6	428292	Kit: Duramax Hyamp robotic torch lead, 7.6 m (25')
7	228109	Kit: Cap-sensor switch
	228806	Kit: Robotic torch clamp assembly



Duramax® Hyamp™ 45° long hand torch replacement parts

For use with the Powermax125®



Duramax Hyamp 45° long hand torch assembly – external components

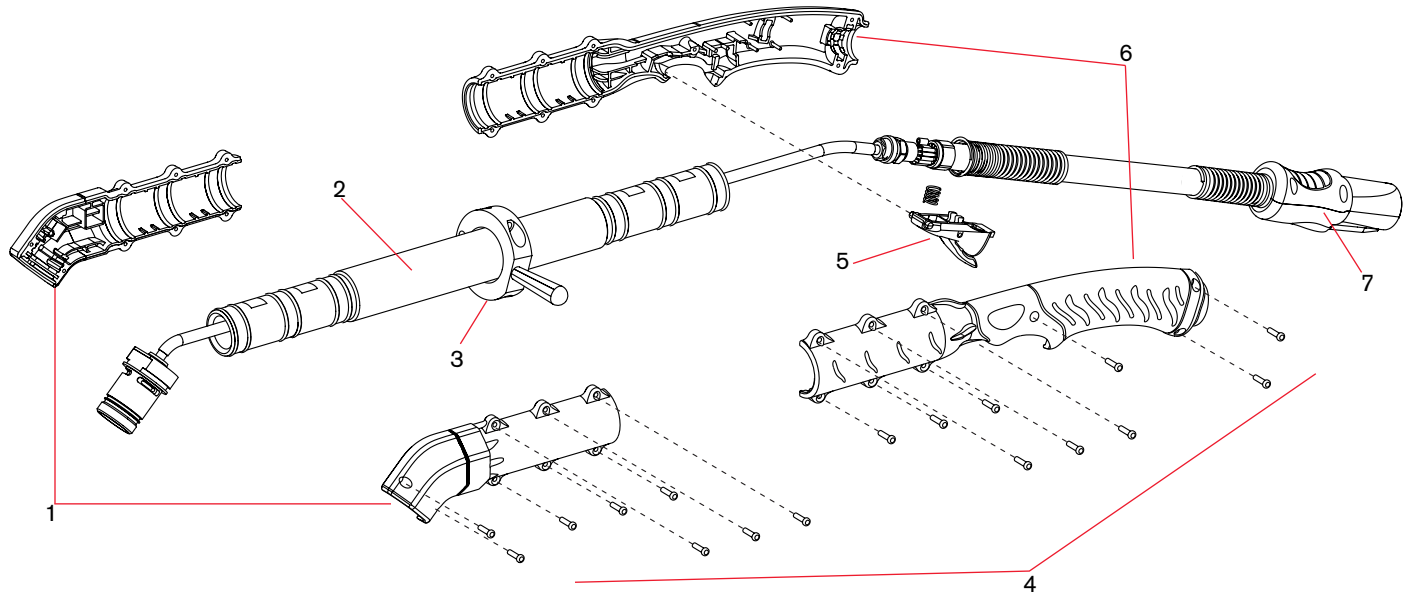
The entire Duramax Hyamp 45° long hand torch assembly with leads can be replaced, or individual component parts can be replaced. Please note Duramax Hyamp torches and consumables are also compatible for use with Powermax45 XP/65/85/105 systems.

Item	Kit/Part number	Description
	059562	Duramax Hyamp 45° long handheld torch assembly with 0.6 m (2') extension and 7.6 m (25') lead
	059579	Duramax Hyamp 45° long handheld torch assembly with 0.6 m (2') extension and 15 m (50') lead
	059567	Duramax Hyamp 45° long handheld torch assembly with 1.2 m (4') extension and 7.6 m (25') lead
	059581	Duramax Hyamp 45° long handheld torch assembly with 1.2 m (4') extension and 15 m (50') lead
	059667 ¹	Duramax Hyamp 45° long handheld torch assembly with 1.2 m (4') extension and 45.7 m (150') lead
1	428278	Kit: Duramax Hyamp 45° long handheld torch front shell
2	428280 ²	Kit: Duramax Hyamp long handheld torch extension tube, 0.6 m (2')
2	428281 ²	Kit: Duramax Hyamp long handheld torch extension tube, 1.2 m (4')
3	428286 ³	Kit: Duramax Hyamp long handheld torch auxiliary handle (with screws)
4	428287	Kit: Duramax Hyamp torch handle screws
5	428156	Kit: Duramax Hyamp hand torch trigger (with spring)
6	428277	Kit: Duramax Hyamp long handheld torch handle
7	428260	Kit: Duramax and Duramax Hyamp torch FastConnect

¹This torch is only compatible with Powermax125s built after November 14, 2017 (serial number 125-007944 or higher) or that have had the DSP board replaced with a board built after this date.

²The extension tubes cannot be used to convert a 0.6 m (2') torch to a 1.2 m (4') torch or to convert a 1.2 m (4') torch to a 0.6 m (2') torch.

³The auxiliary handle comes with the 1.2 m (4') torch; it can be ordered separately for the 0.6 m (2') torch.



See pages 64–65 for current system part number information.

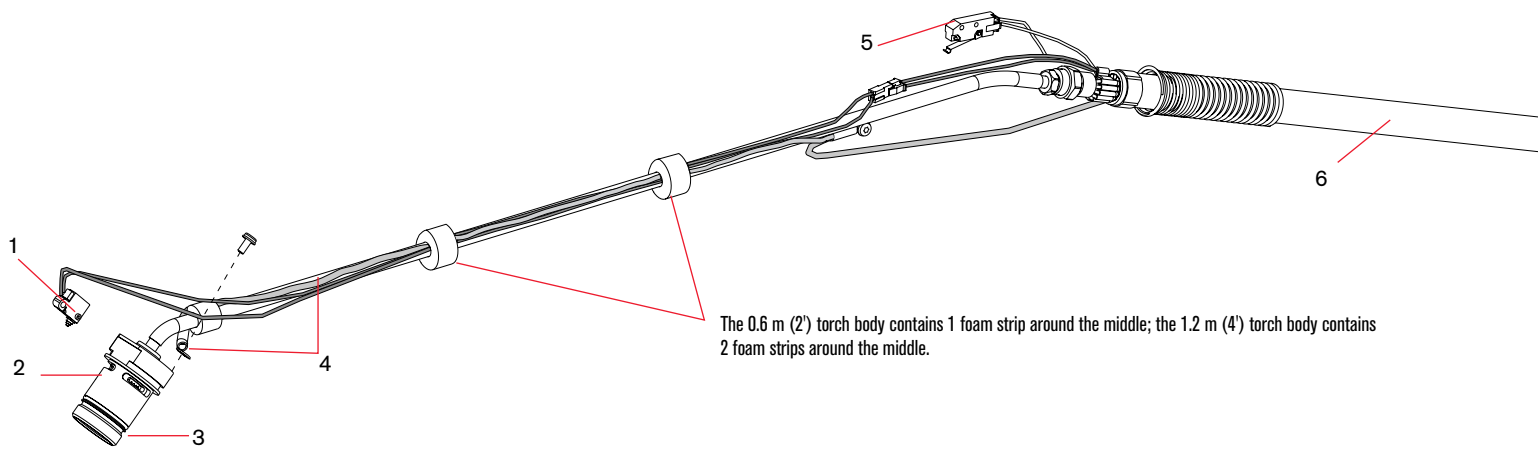
Duramax® Hyamp™ 45° long hand torch replacement parts (continued)

For use with the Powermax125®

Duramax® Hyamp™ 45° long hand torch assembly – internal components

Please note Duramax Hyamp torches and consumables are also compatible for use with Powermax45 XP/65/85/105 systems.

Item	Kit/Part number	Description
1	428288	Kit: Duramax Hyamp long handheld torch cap-sensor switch, 0.6 m (2')
1	428289	Kit: Duramax Hyamp long handheld torch cap-sensor switch, 1.2 m (4')
2	428282	Kit: Duramax Hyamp 45° long handheld torch body (torch head plus gas tube), 0.6 m (2') – includes pilot arc wire, cap-sensor switch, and foam strips
2	428284	Kit: Duramax Hyamp 45° long handheld torch body (torch head plus gas tube), 1.2 m (4') – includes pilot arc wire, cap-sensor switch, and foam strips
3	428253	Kit: Duramax Hyamp O-ring (5)
4	428290	Kit: Duramax Hyamp long handheld torch pilot arc wire (with screws), 0.6 m (2')
4	428291	Kit: Duramax Hyamp long handheld torch pilot arc wire (with screws), 1.2 m (4')
5	428162	Kit: Duramax Hyamp hand torch start switch
6	428159	Kit: Duramax and Duramax Hyamp hand torch lead, 7.6 m (25')
6	428160	Kit: Duramax and Duramax Hyamp hand torch lead, 15 m (50')
6	428762	Kit: Duramax Hyamp hand torch lead, 45.7 m (150')



Duramax® Hyamp™ 90° long hand torch replacement parts

For use with the Powermax125®



Duramax Hyamp 90° long hand torch assembly – external components

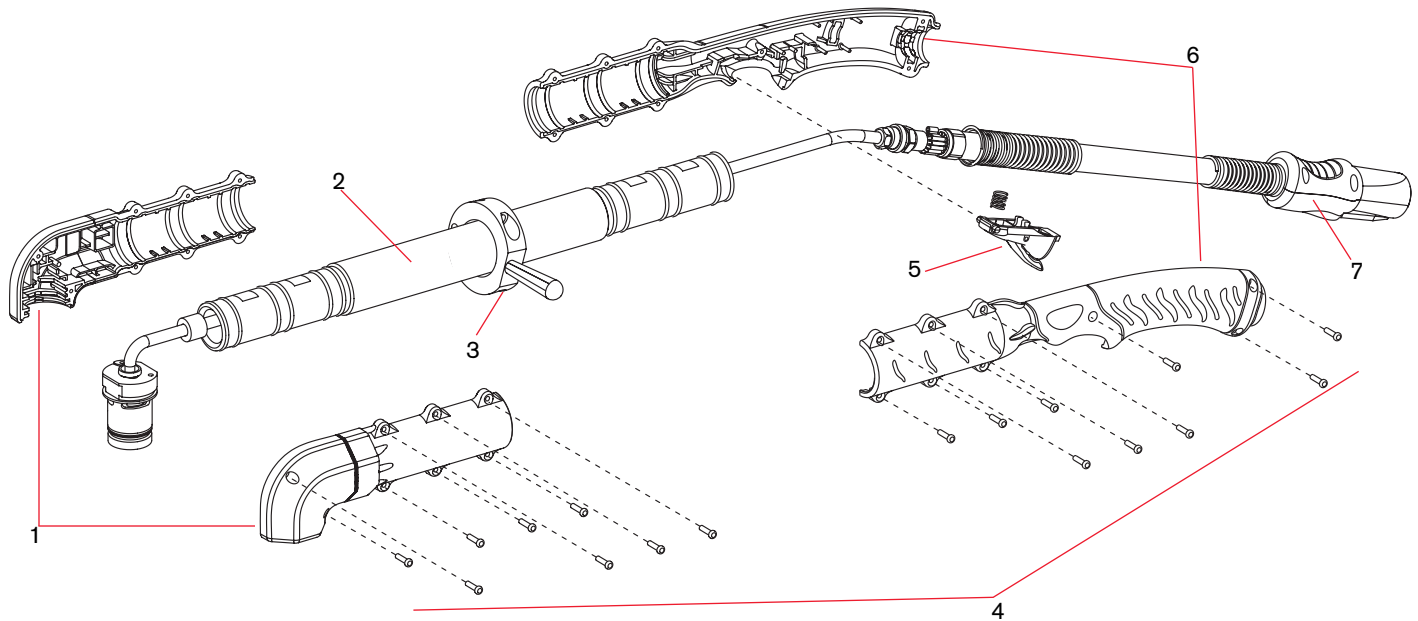
The entire Duramax Hyamp 90° long hand torch assembly with leads can be replaced, or individual component parts can be replaced. Please note Duramax Hyamp torches and consumables are also compatible for use with Powermax45 XP/65/85/105 systems.

Item	Kit/Part number	Description
	059563	Duramax Hyamp 90° long handheld torch assembly with 0.6 m (2') extension and 7.6 m (25') lead
	059580	Duramax Hyamp 90° long handheld torch assembly with 0.6 m (2') extension and 15 m (50') lead
	059568	Duramax Hyamp 90° long handheld torch assembly with 1.2 m (4') extension and 7.6 m (25') lead
	059582	Duramax Hyamp 90° long handheld torch assembly with 1.2 m (4') extension and 15 m (50') lead
	059668 ¹	Duramax Hyamp 90° long handheld torch assembly with 1.2 m (4') extension and 45.7 m (150') lead
	059623	Duramax Hyamp 90° long handheld torch assembly with 1.8 m (6') extension and 7.5 m (25') lead
	059624	Duramax Hyamp 90° long handheld torch assembly with 1.8 m (6') extension and 15 m (50') lead
1	428279	Kit: Duramax Hyamp 90° long handheld torch front shell
2	428280 ²	Kit: Duramax Hyamp long handheld torch extension tube, 0.6 m (2')
2	428281 ²	Kit: Duramax Hyamp long handheld torch extension tube, 1.2 m (4')
2	428820 ²	Duramax Hyamp long handheld torch extension tube, 1.8 m (6')
3	428286 ³	Kit: Duramax Hyamp long handheld torch auxiliary handle (with screws)
4	428287	Kit: Duramax Hyamp torch handle screws
5	428156	Kit: Duramax Hyamp hand torch trigger (with spring)
6	428277	Kit: Duramax Hyamp long handheld torch handle
7	428260	Kit: Duramax and Duramax Hyamp torch FastConnect

¹This torch is only compatible with Powermax125s built after November 14, 2017 (serial number 125-007944 or higher) or that have had the DSP board replaced with a board built after this date.

²The extension tubes cannot be used to convert from one torch length to another torch length.

³The auxiliary handle comes with the 1.2 m (4') and 1.8m (6') torches; it can be ordered separately for the 0.6 m (2') torch.



See pages 64–65 for current system part number information.

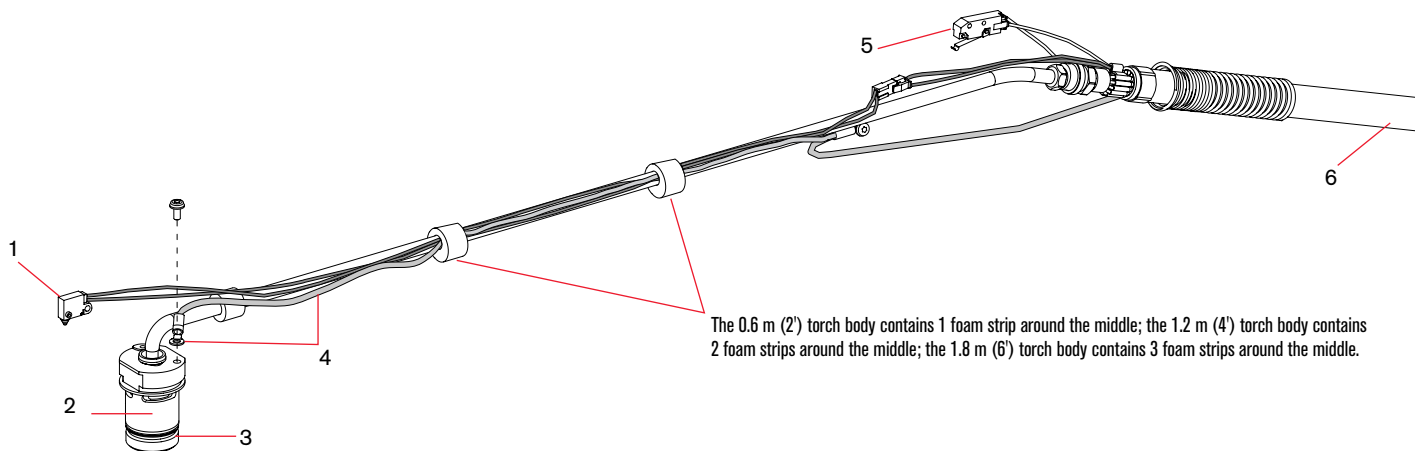
Duramax® Hyamp™ 90° long hand torch replacement parts (continued)

For use with the Powermax125®

Duramax® Hyamp™ 90° long hand torch assembly - internal components

Please note Duramax Hyamp torches and consumables are also compatible for use with Powermax45 XP/65/85/105 systems.

Item	Kit/Part number	Description
1	428288	Kit: Duramax Hyamp long handheld torch cap-sensor switch, 0.6 m (2')
1	428289	Kit: Duramax Hyamp long handheld torch cap-sensor switch, 1.2 m (4')
2	428283	Kit: Duramax Hyamp 90° long handheld torch body (torch head plus gas tube), 0.6 m (2 feet) - includes pilot arc wire, cap-sensor switch, and foam strips
2	428285	Kit: Duramax Hyamp 90° long handheld torch body (torch head plus gas tube), 1.2 m (4 feet) - includes pilot arc wire, cap-sensor switch, and foam strips
2	428822	Duramax Hyamp long handheld torch cap-sensor switch, 1.8 m (6')
2	428821	Duramax Hyamp 90° long handheld torch body (torch head plus gas tube), 1.8 m (6 feet) - includes pilot arc wire, cap-sensor switch, and foam strips
3	428253	Kit: Duramax Hyamp O-ring (5)
4	428290	Kit: Duramax Hyamp long handheld torch pilot arc wire (with screws), 0.6 m (2 feet)
4	428291	Kit: Duramax Hyamp long handheld torch pilot arc wire (with screws), 1.2 m (4 feet)
4	428823	Duramax Hyamp long handheld torch pilot arc wire (with screws), 1.8 m (6 feet)
5	428162	Kit: Duramax Hyamp hand torch start switch
6	428159	Kit: Duramax and Duramax Hyamp hand torch lead, 7.6 m (25 feet)
6	428160	Kit: Duramax and Duramax Hyamp hand torch lead, 15 m (50 feet)
6	428762	Duramax Hyamp hand torch lead, 45.7 m (150')





Model	Certification and voltage	Power supply includes	Power supply PN	Handheld torch configurations						
				75° or 85° hand torches				Full-length machine torches		
				15'	20'	25'	50'	w/remote pendant		
				25'	35'	50'				
Powermax125	CSA 480 V	PWR SPLY W/CPC PORT V-DIV BD	059488			059536	059537	059539	059540	
		PWR SPLY W/CPC PORT V-DIV BD/SER INTFC	059489							
	CSA 600 V	PWR SPLY W/CPC PORT V-DIV BD	059509			059546	059547	059553	059553	
		PWR SPLY W/CPC PORT V-DIV BD/SER INTFC	059510							
	CE 400 V	PWR SPLY W/CPC PORT V-DIV BD	059486			059526	059527	059530	059531	
		PWR SPLY W/CPC PORT V-DIV BD/SER INTFC	059487							
CCC 380 V	PWR SPLY W/CPC PORT V-DIV BD (No PWR CORD)	059490			059556	059557	059558			
	PWR SPLY W/CPC PORT V-DIV BD/SER INTFC (No PWR CORD)	059491								
Powermax105	CSA 200-600 V	PWR SPLY	059370			059374	059375			
		PWR SPLY W/CPC PORT V-DIV BD	059371			059376	059377	059378	059379	
		PWR SPLY W/CPC PORT V-DIV BD/SER INTFC	059372							
	CE 230-400 V	PWR SPLY	059390			059394	059395			
		PWR SPLY W/CPC PORT V-DIV BD	059391			059396	059397	059398	059399	
		PWR SPLY W/CPC PORT V-DIV BD/SER INTFC	059392							
	CE 400 V	PWR SPLY	059410			059414	059415			
		PWR SPLY W/CPC PORT V-DIV BD	059411			059416	059417	059418	059419	
	CCC 380 V	PWR SPLY W/CPC PORT V-DIV BD/SER INTFC	059412							
		PWR SPLY	059430			059434	059435			
PWR SPLY W/CPC PORT V-DIV BD		059431			059436	059437	059438	059439		
CCC/CE 380V, 230-400 V	PWR SPLY W/CPC PORT V-DIV BD/SER INTFC	059432								
	PWR SPLY/CPC/SERIAL/NO PWR CORD	059433								
		PWR SPLY/CPC/SERIAL/NO PWR CRD	059393							
Powermax85	CSA 200-600 V	PWR SPLY	087067			087108	087109			
		PWR SPLY W/CPC PORT V-DIV BD	087104			087113	087114	087115	087116	
		PWR SPLY W/CPC PORT V-DIV BD/SER INTFC	087105							
	CE 230-400 V	PWR SPLY	087068			087117	087118			
		PWR SPLY W/CPC PORT V-DIV BD	087106			087122	087123	087124	087125	
		PWR SPLY W/CPC PORT V-DIV BD/SER INTFC	087107							
Powermax65	CSA 200-600 V	PWR SPLY	083234			083270	083271			
		PWR SPLY W/CPC PORT V-DIV BD	083266			083275	083276	083277	083278	
		PWR SPLY W/CPC PORT V-DIV BD/SER INTFC	083267							
	CE 230-400 V	PWR SPLY	083235			083279	083280			
		PWR SPLY W/CPC PORT V-DIV BD	083268			083284	083285	083286	083287	
		PWR SPLY W/CPC PORT V-DIV BD/SER INTFC	083269							
Powermax45 XP	CSA 230 V	PWR SPLY	088092		088112	088114				
		PWR SPLY W/CPC PORT V-DIV BD	088104		088113	088115	088116	088117	088118	
		PWR SPLY W/CPC PORT V-DIV BD/SER INTFC	088105							
	CSA 480 V	PWR SPLY	088095		088126	088128				
		PWR SPLY W/CPC PORT V-DIV BD	088110		088127	088129				
	CE/CCC 230 V	PWR SPLY W/CPC PORT V-DIV BD/SER INTFC	088111							
		PWR SPLY	088093		088130	088132				
		PWR SPLY W/CPC PORT V-DIV BD	088106		088131	088133	088134	088135	088136	
	CE/CCC 400 V	PWR SPLY W/CPC PORT V-DIV BD/SER INTFC	088107							
		PWR SPLY	088094		088144	088146				
PWR SPLY W/CPC PORT V-DIV BD		088108		088145	088147	088148	088149	088150		
		PWR SPLY W/CPC PORT V-DIV BD/SER INTFC	088109							
Powermax30 XP	CSA 120-230 V	PWR SPLY W/BLD AMERICA GRAPHIC AND CASE		088079						
		PWR SPLY AND CASE		088080						
	CE 120-230 V CE 230 V	PWR SPLY		088081						
		PWR SPLY AND CASE		088082						
		PWR SPLY		088083						
		PWR SPLY		088084						
Powermax30 Air	CSA 120-230 V	PWR SPLY W/BLD AMERICA GRAPHIC		088096						
		PWR SPLY		088097						
	CE 120-230 V	PWR SPLY		088098						

Mechanized torch configurations					Torch combo configurations				Educational configurations	Accessory combo configurations
Full-length machine torches					75° or 85° hand torch plus		75° or 85° hand torch plus		Curriculum plus	Eliminizer filter and guard plus
w/ interface serial and standard cables		w/o remote pendant w/o interface cable			15° hand torch		Full-length machine torch w/remote pendant		75° or 85° hand torch	75° hand torch
25'	50'	25'	35'	50'	25' (20' for 75° on Powermax45 XP)	50'	25' (20' for 75° on Powermax45 XP)	50'	25'	25'
					059538	059569	059541		059571	
059544	059545	059542		059543			059554			
					059555	059570				
059548	059549	059550		059551			059559			
					059528	059572				
059534	059535	059532		059533			059529			
		059583		059584						
		059560		059561						
		059380		059381	059382	059383	059384		059385	
059386	059387									
		059400		059401	059402	059403	059404			
059406	059407									
		059420		059421	059422	059423	059424			
059426	059427									
		059440		059441	059442	059443	059444			
059446	059447									
059448	059449	059450		059451						
		087132		087137	087144	087145	087135		087126	087111
087138	087140									
		087131			087146	087147	087136			087120
087139	087141									
		083294		083302	083307	083308	083300		083288	083273
083303	083305									
		083293			083309	083310	083301			083282
083304	083306									
		088121		088122	088124		088123		088125	
088119	088120									
		088141							088138	
088139	088140									
		088155		088156					088152	
088153	088154									

Powermax30®

T30v hand torch consumables



Minimum order quantity		1	1	5	5	1	
Consumable type	Torch type	Amperage	Shield ¹	Retaining cap	Nozzle	Electrode	Swirl ring
Drag-cutting	Hand	30	220569	220483	220480	220478	220479

¹Optional deflector may be used to help maintain torch-to-work distance or may be used as a guide when cutting with templates



Minimum order quantity		1	1	1	1	
Consumable type	Torch type	Retaining cap	Nozzle	Electrode	Swirl ring	
HyAccess drag-cutting (15-30 A)	Hand	420148	420144	420137	220670	
HyAccess gouging (15-30 A)			420147			
Quantity in kit		1	1	2	1	
HyAccess kit - 428337 (15-30 A)	Hand	420148	420144 (cutting)	420147 (gouging)	420137	420211
		HyAccess cutting only starter pack - 428443 ⁴				
		HyAccess gouging only starter pack - 428444 ⁵				



⁴Starter pack contains 1 retaining cap (420148), 1 cutting nozzle (420144) and 1 electrode (420137)

⁵Starter pack contains 1 retaining cap (420148), 1 gouging nozzle (420147) and 1 electrode (420137)



T30v hand torch parts

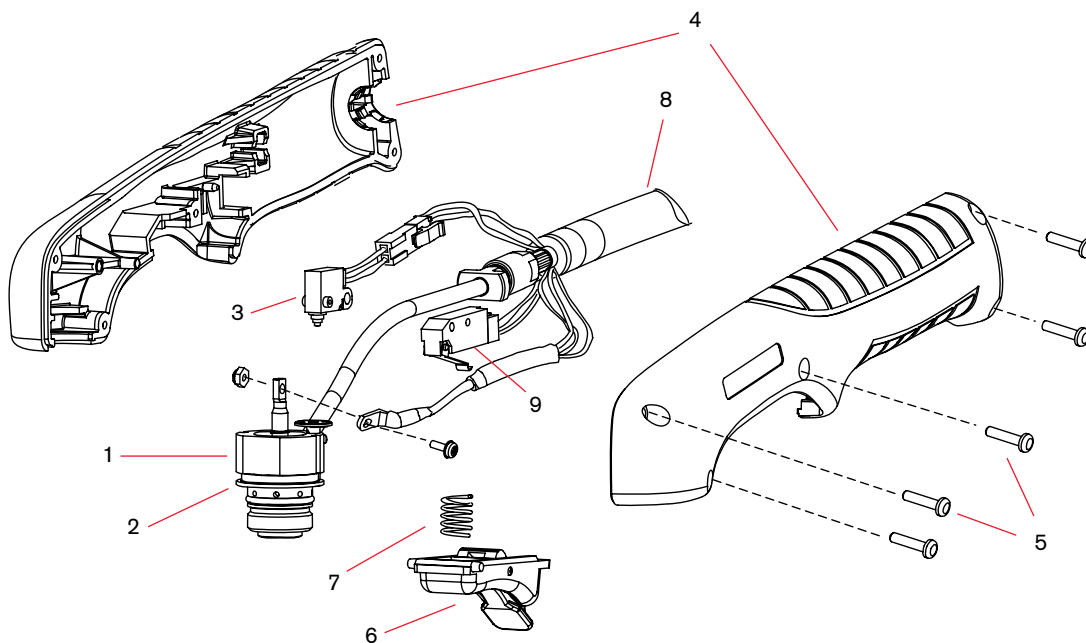
For use with the Powermax30®



T30v hand torch parts

Item	Kit/Part number	Description
	088001 ¹	T30v hand torch assembly with 4.5 m (15') leads
1	228112	Kit: T30v main body
2	058503	O-ring: Viton .626 x .070
3	228109	Kit: Cap-off sensor
4	228111	Kit: T30v torch handle
5	075339	Handle screws
6	002244	Safety trigger
7	027254	Spring
8	228113	Kit: T30v 4.5 m (15') torch lead
9	128642	Kit: T30v start switch
	123868	Work lead with clamp, 4.5 m (15')

¹Assembly includes consumables



Powermax45®

T45v/T45m hand/machine torch consumables



Minimum order quantity		1	1	5	5	1		
Consumable type	Torch type	Shield/deflector	Retaining cap	Nozzle		Electrode	Swirl ring	
Drag cutting (15–45 A)	Hand	220569 (30 A) ¹	220483 (30 A) ¹	220480 (30 A) ¹		220478 (30 A) ¹	220479 (30 A) ¹	
		220674 (45 A)	220713 (45 A)	220671 (45 A) ²		220669 (45 A) ²	220670 (45 A)	
Quantity in kit		2	1	1	6	7	1	
Essential cutting kit – 851478 CSA (15–45 A)	Hand	220674	220717 (Deflector) ³	220713	220671	220718 (Unshielded)	220669	220670
Essential cutting kit – 851477 CE (15–45 A)								
Combination kit 428442 ⁴								



- ¹Use T30v 30 A consumables for fine feature cutting on thin metals.
- ²Consumable available in bulk packaging. See order information below.
- ³Components are unique to the CSA kit, part number 851478.
- ⁴Kit contains 2 nozzles (220671) and 2 electrodes (220669).



Minimum order quantity		1	1	5	5	1
Consumable type	Torch type	Shield/deflector	Retaining cap	Nozzle	Electrode	Swirl ring
Mechanized (15–45 A)	Machine	220673 ²	220713 or 220719 (ohmic)	220671 ²	220669 ²	220670

²Consumable available in bulk packaging. See order information below.



Minimum order quantity		1	1	5	5	1
Consumable type	Torch type	Shield/deflector	Retaining cap	Nozzle	Electrode	Swirl ring
Gouging ⁵ (15–45 A)	Hand/Machine	220675	220713	220672	220669 ²	220670

²Consumable available in bulk packaging. See order information below.



Minimum order quantity		1	1	5	5	1
Consumable type	Torch type	Shield/deflector	Retaining cap	Nozzle	Electrode	Swirl ring
Unshielded ³ (15–45 A)	Hand/Machine	220717	220713	220718	220669 ²	220670

- ²Consumable available in bulk packaging. See order information below.
- ³In countries following CE standards, unshielded consumables may only be used in mechanized applications.



Minimum order quantity		1	1	1	1	
Consumable type	Torch type	Retaining cap	Nozzle		Electrode	Swirl ring
HyAccess drag-cutting (15-45 A)	Hand	420148	420144		420137	220670
HyAccess gouging (15-45 A)			420147			
Quantity in kit		1	1	1	2	1
HyAccess kit - 428337 (15-45 A)	Hand	420148	420144 (cutting)	420147 (gouging)	420137	420211 ⁴
		HyAccess cutting only starter pack - 428443 ⁵				
		HyAccess gouging only starter pack - 428444 ⁶				



⁴Part number 420211 is interchangeable with part number 220670
⁵Starter pack contains 1 retaining cap (420148), 1 cutting nozzle (420144) and 1 electrode (420137)
⁶Starter pack contains 1 retaining cap (420148), 1 gouging nozzle (420147) and 1 electrode (420137)

T45v/T45m consumable bulk kits

Order quantity	25	25	10
Bulk kit part number	228843	228844	228845
Contents	220671 nozzle	220669 electrode	220673 shield



See pages 64-65 for current system part number information.

T45v hand torch parts

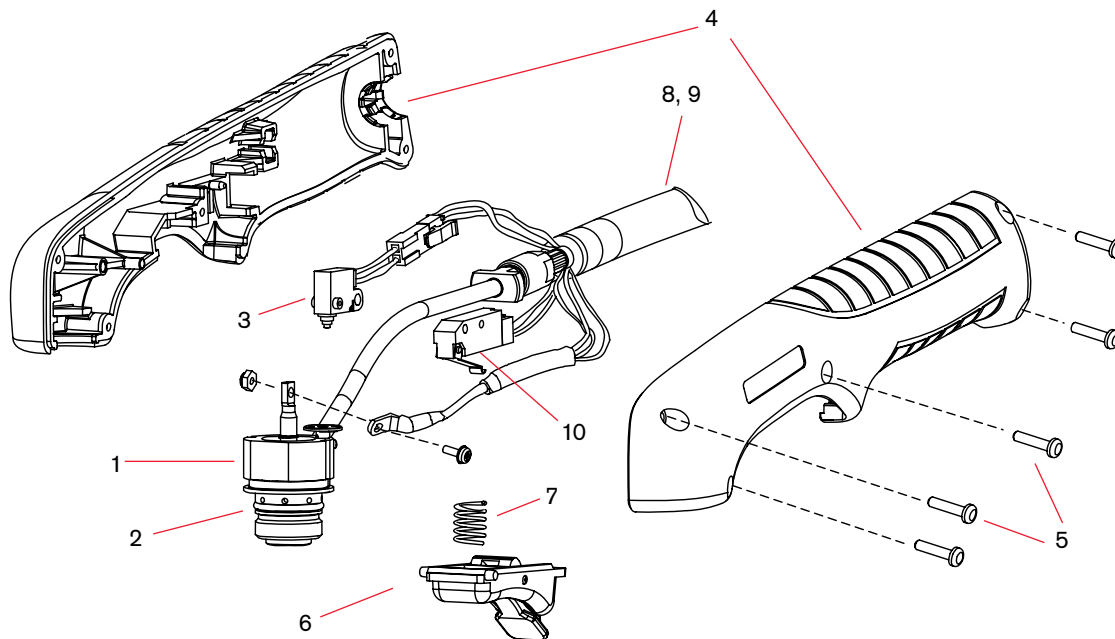
For use with the Powermax45®



T45v hand torch parts

Item	Kit/Part number	Description
	088008 ¹	T45v hand torch assembly with 6.1 m (20') leads
	088009 ¹	T45v hand torch assembly with 15.2 m (50') leads
1	228346	Kit: Torch body replacement
2	058503	O-ring: torch body
3	228109	Kit: Cap-sensor switch replacement
4	228313	Kit: handle
5	075714	Handle screws
6	002244	Safety trigger assembly
7	027254	Spring
8	228315	Kit: Torch lead replacement, 6.1 m (20')
9	228316	Kit: Torch lead replacement, 15.2 m (50')
	228300	Work lead with clamp, 6.1 m (20')
	228307	Work lead with clamp, 15.2 m (50')
10	128642	Kit: T45v/T30v start switch replacement

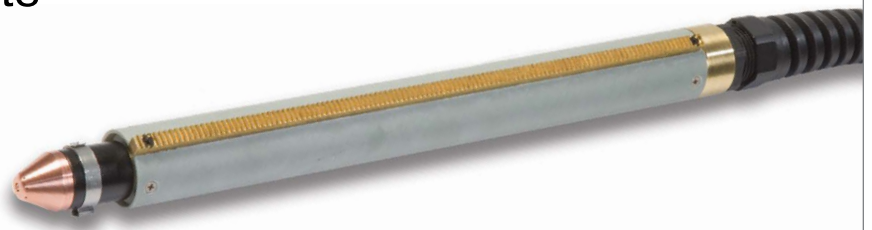
¹Assembly includes consumables.



See pages 64–65 for current system part number information.

T45m machine torch parts

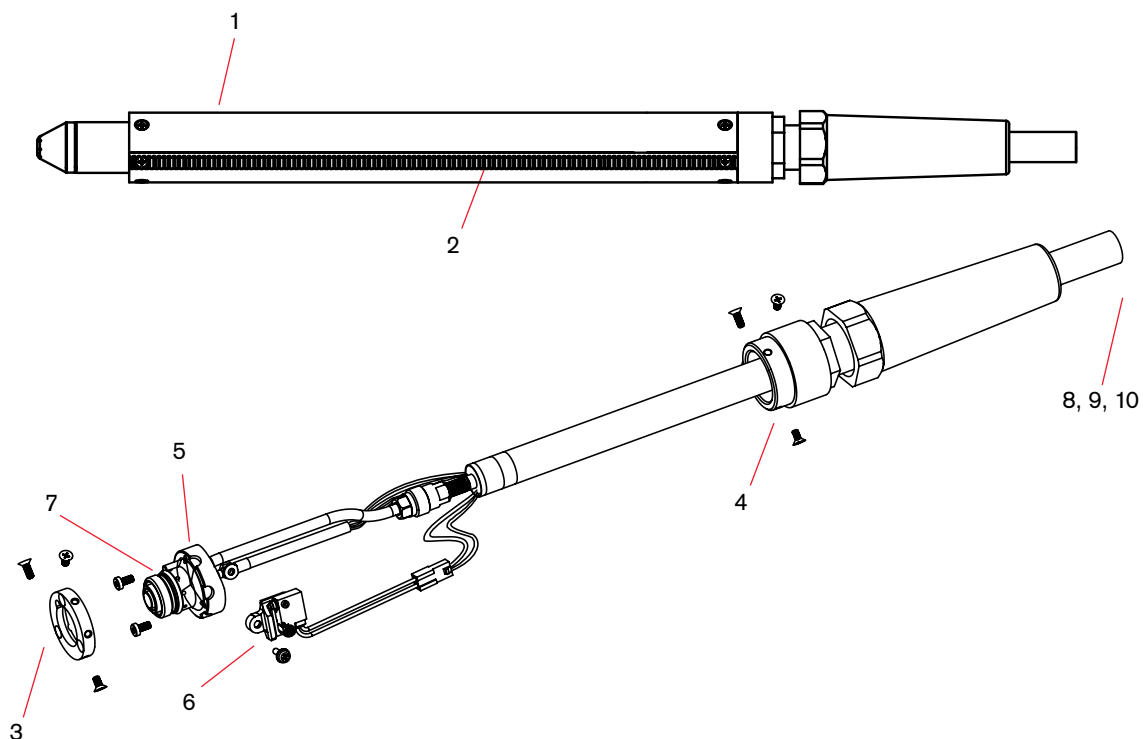
For use with the Powermax45®



T45m machine torch parts

Item	Kit/Part number	Description
	088010 ¹	T45m machine torch assembly with 7.6 m (25') leads
	088011 ¹	T45m machine torch assembly with 10.7 m (35') leads
	088012 ¹	T45m machine torch assembly with 15.2 m (50') leads
1	228228	Kit: T45m positioning sleeve
2	228229	Kit: T45m removable gear rack
3	228322	Kit: Front mounting ring
4	228323	Kit: Rear mounting ring
5	228320	Kit: T45m torch body replacement
6	228321	Kit: T45m cap-sensor switch replacement
7	058503	O-ring: torch body
8	228317	T45m torch lead replacement, 7.6 m (25')
9	228318	T45m torch lead replacement, 10.7 m (35')
10	228319	T45m torch lead replacement, 15.2 m (50')
	128650	On/Off pendant for machine torch, 7.6 m (25')
	128651	On/Off pendant for machine torch, 15.2 m (50')
	128652	On/Off pendant for machine torch, 22.8 m (75')
	228300	Work lead with clamp, 6.1 m (20')
	228307	Work lead with clamp, 15.2 m (50')

¹Assembly includes consumables.



See pages 64-65 for current system part number information.

Powermax45®

Duramax® hand/machine consumables

The Duramax torch series is an optional torch upgrade for Powermax45 systems.
The following are the compatible consumables.



Minimum order quantity		1	1	5	5	1
Consumable type	Torch type	Shield/deflector	Retaining cap	Nozzle	Electrode	Swirl ring
Drag-cutting (15-45 A)	Hand	220818 ²	220854	220941 ²	220842 ² or 220777 ^{1,2}	220857
Quantity in kit		2	1	7	7	1
Essential cutting kit - 851510 (15-45 A)	Hand	220818	220854	220941	220842	220857



¹For longer consumable life when cutting metal 1/2 inch (12 mm) and under, check out the CopperPlus electrode (part number 220777).
²Consumable available in bulk packaging. See order information below.



Minimum order quantity		1	1	5	5	1
Consumable type	Torch type	Shield/deflector	Retaining cap	Nozzle	Electrode	Swirl ring
Mechanized (15-45 A)	Machine	220817 ² or 220955 ³	220854 or 220953 ohmic	220941 ²	220842 ² or 220777 ^{1,2}	220857
Quantity in kit		2	1	7	4	3
Essential cutting kit - 851511 or 851512 (ohmic) (15-45 A)	Machine	220817	220955	220941	220842	220777

¹For longer consumable life when cutting metal 1/2 inch (12 mm) and under, check out the CopperPlus electrode (part number 220777).
²Consumable available in bulk packaging. See order information below.
³Deflector for unshielded cutting.



Minimum order quantity		1	1	5	5	1
Consumable type	Torch type	Shield/deflector	Retaining cap	Nozzle	Electrode	Swirl ring
Max control gouging (15-45 A)	Hand/Machine	420480	220854	420419	220842	220857



Minimum order quantity		1	1	5	5	1
Consumable type	Torch type	Shield/deflector	Retaining cap	Nozzle	Electrode	Swirl ring
FineCut® (30–45 A)	Hand	220931	220854 or 220953 (ohmic)	220930 ²	220842 ²	220947
	Machine	220948 (ohmic) 220955				

²Consumable available in bulk packaging. See order information below.



Minimum order quantity		1	1	1	1	
Consumable type	Torch type	Retaining cap	Nozzle	Electrode	Swirl ring	
HyAccess™ drag-cutting (30–65 A)	Hand	420413	420410	420408	220857	
HyAccess gouging (30–65 A)			420412			
Quantity in kit		1	1	1	2	1
HyAccess kit – 428414 (30–65 A)	Hand	420413	420410 (cutting)	420412 (gouging)	420408	220857
		HyAccess cutting only starter pack – 428445 ⁴ HyAccess gouging only starter pack – 428446 ⁵				

⁴Starter pack contains 1 retaining cap (420413), 1 cutting nozzle (420410) and 1 electrode (420408)

⁵Starter pack contains 1 retaining cap (420413), 1 gouging nozzle (420412) and 1 electrode (420408)



Minimum order quantity		1	1	1	5	1
Consumable type	Torch type	Retaining cap	Retaining ring	Nozzle/shield assembly	Electrode	Swirl ring
Duramax FlushCut™ (30–45 A) ⁵	Hand/Machine	420536	420540	420633	420635 ⁵	420634
Quantity in kit		1	1	1	1	1
FlushCut kit – 428746	Hand/Machine	420536	420540	420633	420635 ⁵	420634

⁵Not for use with Duramax retrofit torches.

⁵The 45 A FlushCut process will only work with Electrode 420635. The standard 220842 electrodes and 220777 CopperPlus electrodes are not compatible with the 45 A FlushCut process.

Duramax® consumable bulk kits

Order quantity	25	25	25	25	10	10
Bulk kit part number	228934	228767	228761	228765	228763	228764
Contents	220777 electrode	220842 electrode	220930 nozzle	220941 nozzle	220817 shield	220818 shield

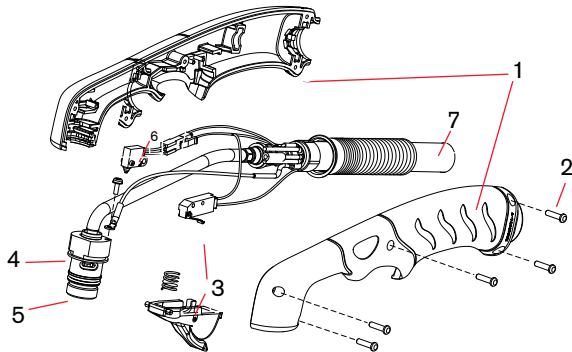


Duramax® 75° hand torch parts

For use with the Powermax45®



Duramax 75° hand torch assembly



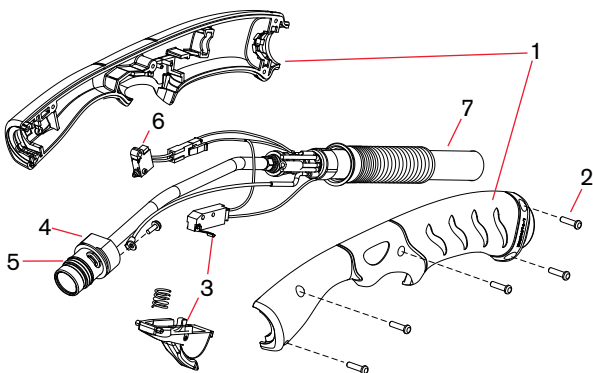
Item	Kit/Part number	Description
	059473	Duramax 75° hand torch assembly with 7.6 m (25') lead
	059474	Duramax 75° hand torch assembly with 15.2 m (50') lead
1	228954	Kit: Duramax 75°/HRT Torch handle replacement
2	075714	Handle screws, #4 x 1/2 slotted TORX pan head, S/B
3	228721	Kit: Duramax 75°/Duramax 15°/HRT/HRTs (spring and trigger assembly)
4	228714	Kit: Duramax 75° Torch main body replacement (3/8" coupler)
4	228958	Kit: Duramax 75° Torch main body replacement (1/2" coupler)
5	058519	O-ring
6	228719	Kit: Duramax 75° Cap-sensor switch replacement
7	228959	Kit: Duramax 75° Torch lead replacement, 7.6 m (25')
7	228960	Kit: Duramax 75° Torch lead replacement, 15.2 m (50')
	228300	Work lead with clamp, 6.1 m (20')
	228307	Work lead with clamp, 15.2 m (50')

Duramax® 15° hand torch parts

For use with the Powermax45®



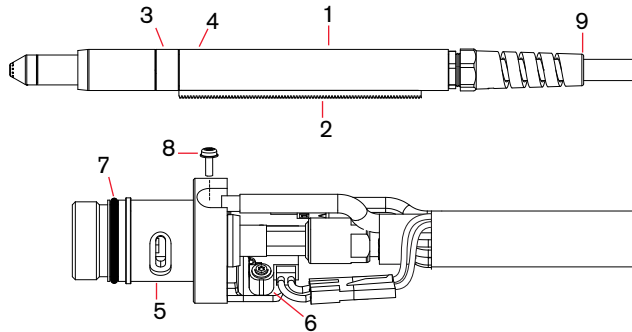
Duramax 15° hand torch assembly



Item	Kit/Part number	Description
	059470	Duramax 15° hand torch assembly with 7.6 m (25') lead
	059471	Duramax 15° hand torch assembly with 15.2 m (50') lead
1	228955	Kit: Duramax 15° Torch handle replacement
2	075714	Handle screws, #4 x 1/2 slotted TORX pan head, S/B
3	228721	Kit: Duramax 15°/Duramax 75°/HRT/HRTs (spring and trigger assembly)
4	228715	Kit: Duramax 15° Torch main body replacement (3/8" coupler)
4	228957	Kit: Duramax 15° Torch main body replacement (1/2" coupler)
5	058519	O-ring
6	228109	Kit: Duramax 15° Cap-sensor switch replacement
7	228959	Kit: Duramax 15° Torch lead replacement, 7.6 m (25')
7	228960	Kit: Duramax 15° Torch lead replacement, 15.2 m (50')
	228300	Work lead with clamp, 6.1 m (20')
	228307	Work lead with clamp, 15.2 m (50')

Duramax® 180° machine torch parts

For use with the Powermax45®

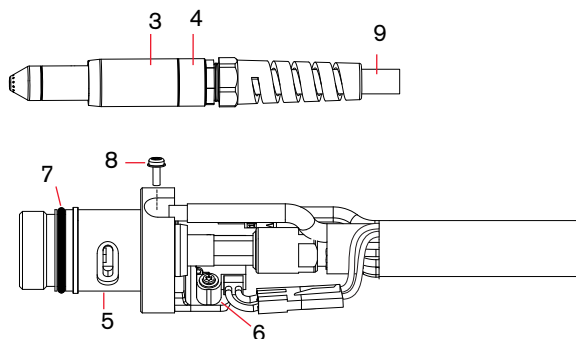


Duramax 180° machine torch assembly

Item	Kit/Part number	Description
	059476	Duramax 180° machine torch assembly with 4.5 m (15') lead
	059477	Duramax 180° machine torch assembly with 7.6 m (25') lead
	059478	Duramax 180° machine torch assembly with 10.7 m (35') lead
	059479	Duramax 180° machine torch assembly with 15.2 m (50') lead
1	228737	Kit: Duramax 180° positioning sleeve
2	228738	Kit: Duramax 180° removable gear rack
3	228735	Kit: Duramax 180°/Duramax 180° torch front mounting sleeve
4	228736	Kit: Duramax 180°/Duramax 180° torch adapter ring (coupler)
5	228716	Kit: Duramax 180°/Duramax 180° torch main body replacement
6	228720	Kit: Cap-sensor switch replacement
7	058519	O-ring
8	075504	Pilot terminal screw
9	228730	Kit: Duramax 180°/Duramax 180° torch lead replacement, 4.5 m (15')
9	228731	Kit: Duramax 180°/Duramax 180° torch lead replacement, 7.6 m (25')
9	228732	Kit: Duramax 180°/Duramax 180° torch lead replacement, 10.7 m (35')
9	228733	Kit: Duramax 180°/Duramax 180° torch lead replacement, 15.2 m (50')
	228300	Work lead with clamp, 6.1 m (20')
	228307	Work lead with clamp, 15.2 m (50')

Duramax® 180° mini machine torch parts

For use with the Powermax45®

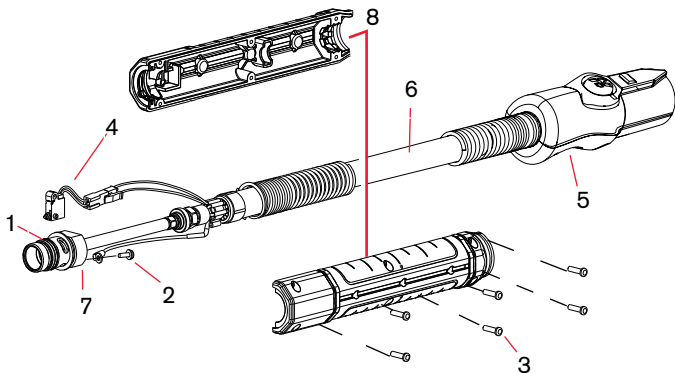


Duramax 180° mini torch assembly

Item	Kit/Part number	Description
	059481	Duramax 180° mini machine torch assembly with 4.5 m (15') lead
	059482	Duramax 180° mini machine torch assembly with 7.6 m (25') lead
	059483	Duramax 180° mini machine torch assembly with 10.7 m (35') lead
3	220956	Kit: Duramax 180°/Duramax 180° mini torch front mounting sleeve
4	220808	Kit: Duramax 180°/Duramax 180° mini torch adapter ring (coupler)
5	228716	Kit: Duramax 180°/Duramax 180° mini torch main body replacement
6	228720	Kit: Cap-sensor switch replacement
7	058519	O-ring
8	075504	Pilot terminal screw
9	228730	Kit: Duramax 180°/Duramax 180° mini torch lead replacement, 4.5 m (15')
9	228731	Kit: Duramax 180°/Duramax 180° mini torch lead replacement, 7.6 m (25')
9	228732	Kit: Duramax 180°/Duramax 180° mini torch lead replacement, 10.7 m (35')
9	228733	Kit: Duramax 180°/Duramax 180° mini torch lead replacement, 15.2 m (50')
	228300	Work lead with clamp, 6.1 m (20')
	228307	Work lead with clamp, 15.2 m (50')

Duramax® 180° robotic torch parts

For use with the Powermax45®



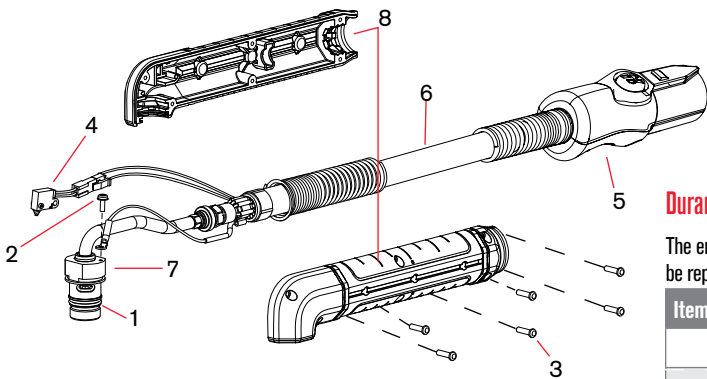
Duramax 180° robotic torch assembly

The entire Duramax 180° robotic torch assembly with leads can be replaced, or individual component parts can be replaced.

Item	Kit/Part number	Description
	059466	180° Duramax robotic torch assembly with leads
1	058519	O-ring
2	075504	Pilot terminal screw
3	075714	#4 x 1/2 slotted TORX pan head screws
4	228109	Kit: Cap-sensor switch replacement
5	428260	Kit: FastConnect replacement
6	228852	Kit: Robotic torch lead replacement, 7.6 m (25')
7	228853	Kit: 180° Robotic torch main body replacement
8	228856	Kit: 180° Robotic torch positioning barrel replacement
	228806	Kit: Robotic torch clamp assembly

Duramax® 90° robotic torch parts

For use with the Powermax45®



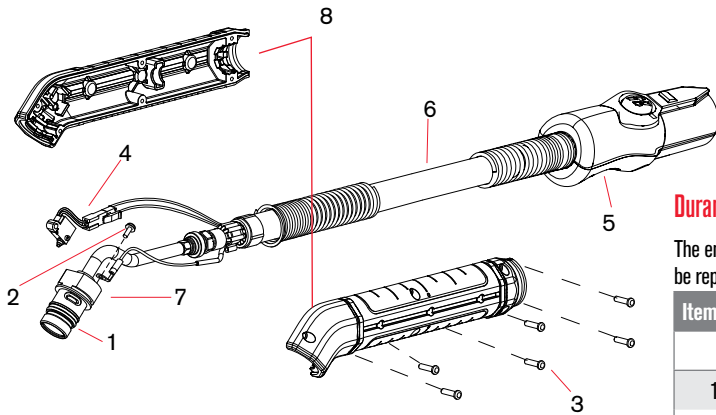
Duramax 90° robotic torch assembly

The entire Duramax 90° robotic torch assembly with leads can be replaced, or individual component parts can be replaced.

Item	Kit/Part number	Description
	059465	90° Duramax robotic torch assembly with leads
1	058519	O-ring
2	075504	Pilot terminal screw
3	075714	#4 x 1/2 slotted TORX pan head screws
4	228109	Kit: Cap-sensor switch replacement
5	428260	Kit: FastConnect replacement
6	228852	Kit: Robotic torch lead replacement, 7.6 m (25')
7	228854	Kit: 90° Robotic torch main body replacement
8	228857	Kit: 90° Robotic torch positioning barrel replacement
	228806	Kit: Robotic torch clamp assembly

Duramax® 45° robotic torch parts

For use with the Powermax45®



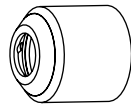
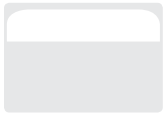
Duramax 45° robotic torch assembly

The entire Duramax 45° robotic torch assembly with leads can be replaced, or individual component parts can be replaced.

Item	Kit/Part number	Description
	059464	45° Duramax robotic torch assembly with leads
1	058519	O-ring
2	075504	Pilot terminal screw
3	075714	#4 x 1/2 slotted TORX pan head screws
4	228109	Kit: Cap-sensor switch replacement
5	428260	Kit: FastConnect replacement
6	228852	Kit: Robotic torch lead replacement, 7.6 m (25')
7	228855	Kit: 45° Robotic torch main body replacement
8	228858	Kit: 45° Robotic torch positioning barrel replacement
	228806	Kit: Robotic torch clamp assembly

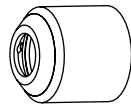
Powermax380®

PAC110T hand torch consumables



Minimum order quantity		1		5		5		1	
Consumable type	Torch type	Amperage	Retaining cap	Nozzle	Electrode	Swirl ring			
Extended ¹	Hand	25	220016	120504	020382	220013			

¹In countries following CE standards, unshielded consumables may only be used in mechanized torch applications



Minimum order quantity		1		5		5		1	
Consumable type	Torch type	Amperage	Retaining cap	Nozzle	Electrode	Swirl ring			
FineCut	Hand	25	220016	220331	020382	220013			



PAC110T hand torch parts

For use with the Powermax380®

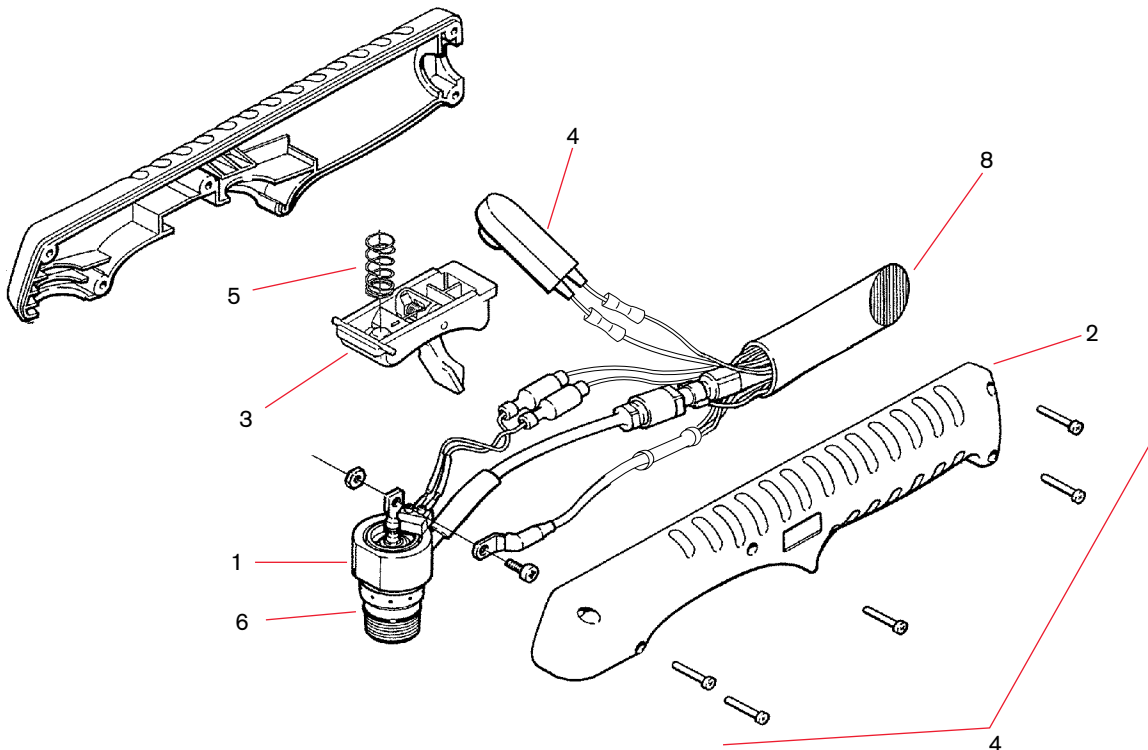


PAC110T hand torch parts

Item	Part number	Description
	070071	PAC110T hand torch assembly with 6.1 m (20') leads
1	120976	Torch main body with switch
2	001288	Handle (includes both halves)
3	002244	Safety trigger assembly
4	005202	Switch, torch pushbutton
5	027254	Trigger spring
6	058503	O-ring, Viton .625 x .070
7	075339	Screw #4 x 1/2", (five required)
8	060208	Torch lead replacement, 6.1 m (20')
	060169	Work lead with clamp, 4.5 m (15')

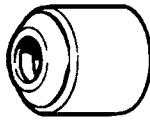
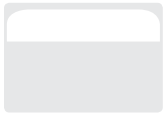
*Assembly includes consumables.

Selected torches and repair parts are no longer available. System upgrade is recommended. See pages 4-5 for systems by amperage



Powermax350®

PAC110 hand torch consumables



Minimum order quantity			1	5	5	1
Consumable type	Torch type	Amperage	Retaining cap	Nozzle	Electrode	Swirl ring
Extended ¹	Hand	25	220016	120504	020382	220013

¹In countries following CE standards, unshielded consumables may only be used in mechanized torch applications



PAC110 hand torch parts

For use with the Powermax350®




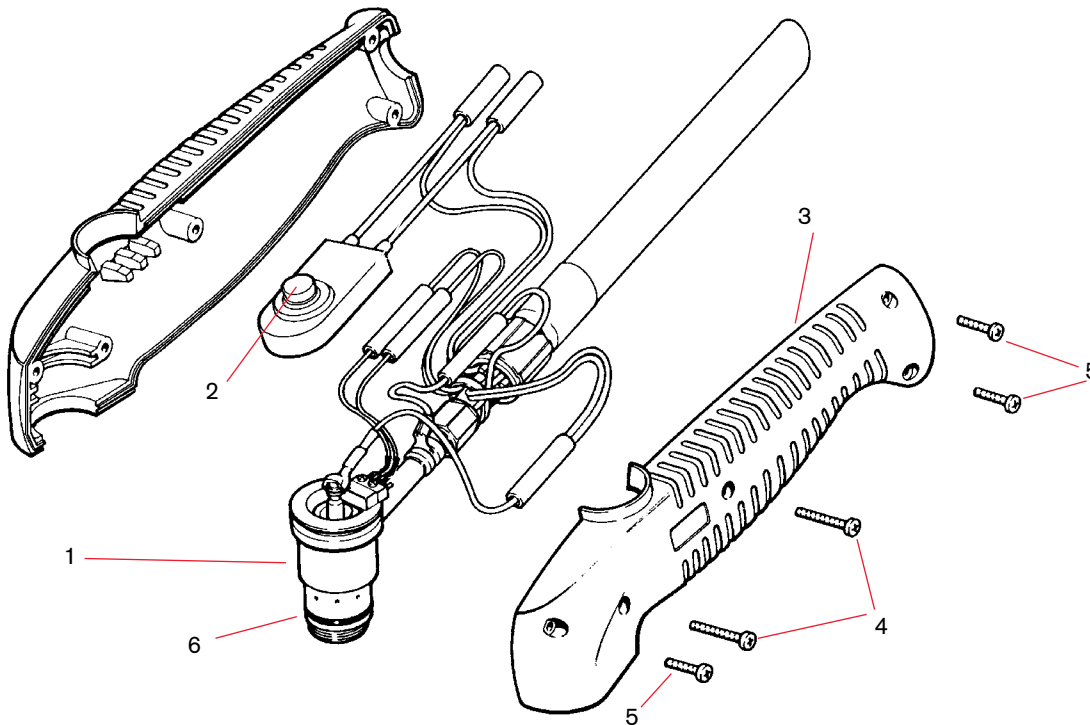
All service parts appearing on this page without a red line are now subject to manufacturer availability and will be priced upon request.

PAC110 hand torch parts

Item	Part number	Description
	070057 ¹	PAC110 hand torch assembly with 4.5 m (15') leads
	070058 ²	PAC110 hand torch assembly with 7.6 m (25') leads
	070779 ³	PAC110T hand torch replacement with 6.1 m (20') leads
1	020588	Torch main body with switch
2	005094	Switch, torch pushbutton
3	001192	Handle (includes both halves)
4	075341	Screw, #4 x 3/4" (two required)
5	075339	Screw, #4 x 1/2" (three required)
6	044016	O-ring, Buna - N 90 Duro
	029241	Torch leads, 4.5 m (15')
	029257	Torch leads, 7.6 m (25')
	060169	Work lead with clamp, 4.5 m (15')

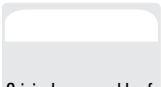
¹Assembly includes consumables.

 Selected torches and repair parts are no longer available. System upgrade is recommended. See pages 4-5 for systems by amperage

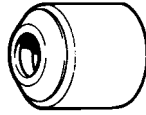


MAX20®

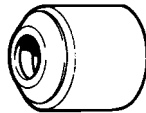
PAC110 torch consumables



Original consumables for the PAC110 torches remain available with exceptions notated below.



Minimum order quantity			1	5	5	1
Consumable type	Torch type	Amperage	Retaining cap	Nozzle	Electrode	Swirl ring
Standard	Hand	20	220016	020299	020220	220013



Minimum order quantity			1	5	5	1
Consumable type	Torch type	Amperage	Retaining cap	Nozzle	Electrode	Swirl ring
Extended ¹	Hand	20	220016	120504	020382	220013

¹In countries following CE standards, unshielded consumables may only be used in mechanized torch applications



Selected consumables are no longer available. System upgrade is recommended. See pages 4-5 for systems by amperage



PAC110 hand torch parts

For use with the MAX20®




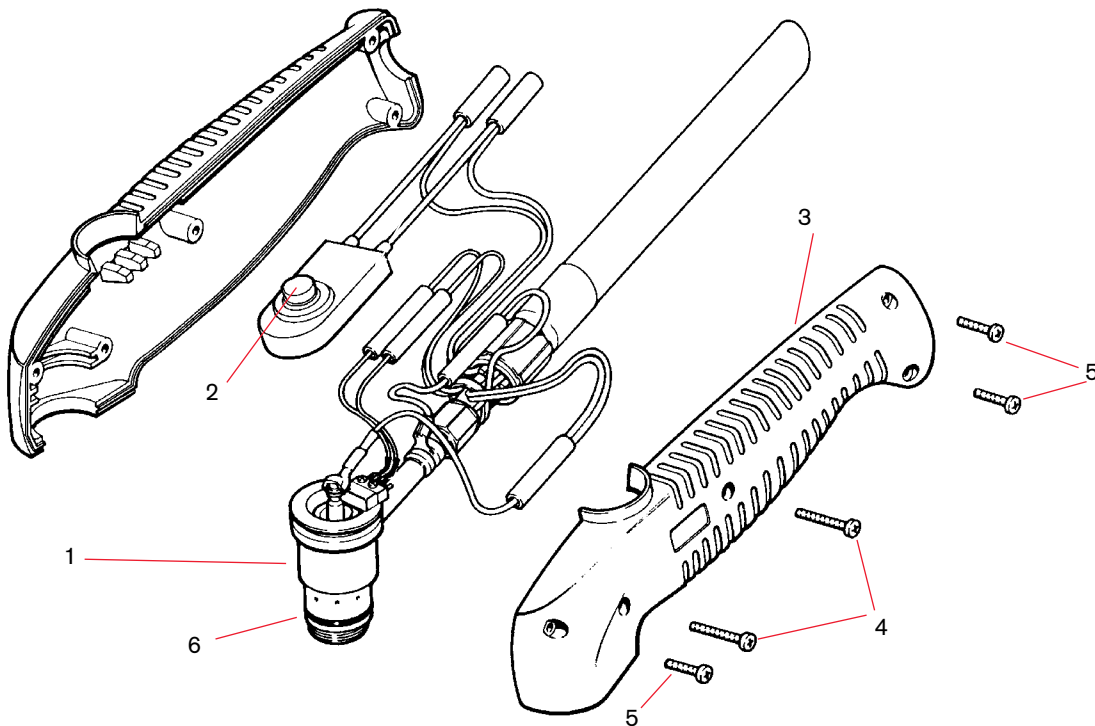
All service parts appearing on this page without a red line are now subject to manufacturer availability and will be priced upon request.

PAC110 hand torch parts

Item	Part number	Description
	070003	PAC110 torch assembly with 4.5 m (15') leads
	070014	PAC110 torch assembly with 7.6 m (25') leads
1	020588	Torch main body with switch
2	005094	Switch, torch pushbutton
3	001192	Handle (includes both halves)
4	075341	Screw, #4 x 3/4" (two required)
5	075339	Screw, #4 x 1/2" (three required)
6	044016	O-ring, Buna - N 90 Duro
	029241	Torch leads, 4.5 m (15')
	029257	Torch leads, 7.6 m (25')
	023269	Work lead with clamp, 4.5 m (15')

*Assembly includes consumables.

 Selected torches and repair parts are no longer available. System upgrade is recommended. See pages 4-5 for systems by amperage



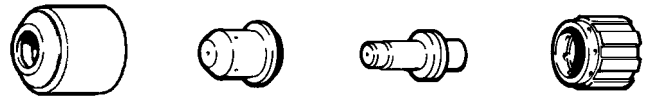
Powermax190c®

PAC105T hand torch consumables

See page 64–65 and page 8 for information on the new Powermax30 AIR system and consumables as an upgrade option for this legacy system with internal air compressor.




Minimum order quantity			1	1	5	5	1
Consumable type	Torch type	Amperage	Shield/Deflector	Retaining cap	Nozzle	Electrode	Swirl ring
Shielded	Hand	12	120884	120898	120882	120881	120880



Minimum order quantity			1	5	5	1
Consumable type	Torch type	Amperage	Retaining cap	Nozzle	Electrode	Swirl ring
Unshielded ¹	Hand	12	120883	120882	120881	120880

¹In countries following CE standards, unshielded consumables may only be used in mechanized torch applications.

 Selected consumables are no longer available. System upgrade is recommended. See pages 4–5 for systems by amperage



PAC105T hand torch parts

For use with the Powermax190c®




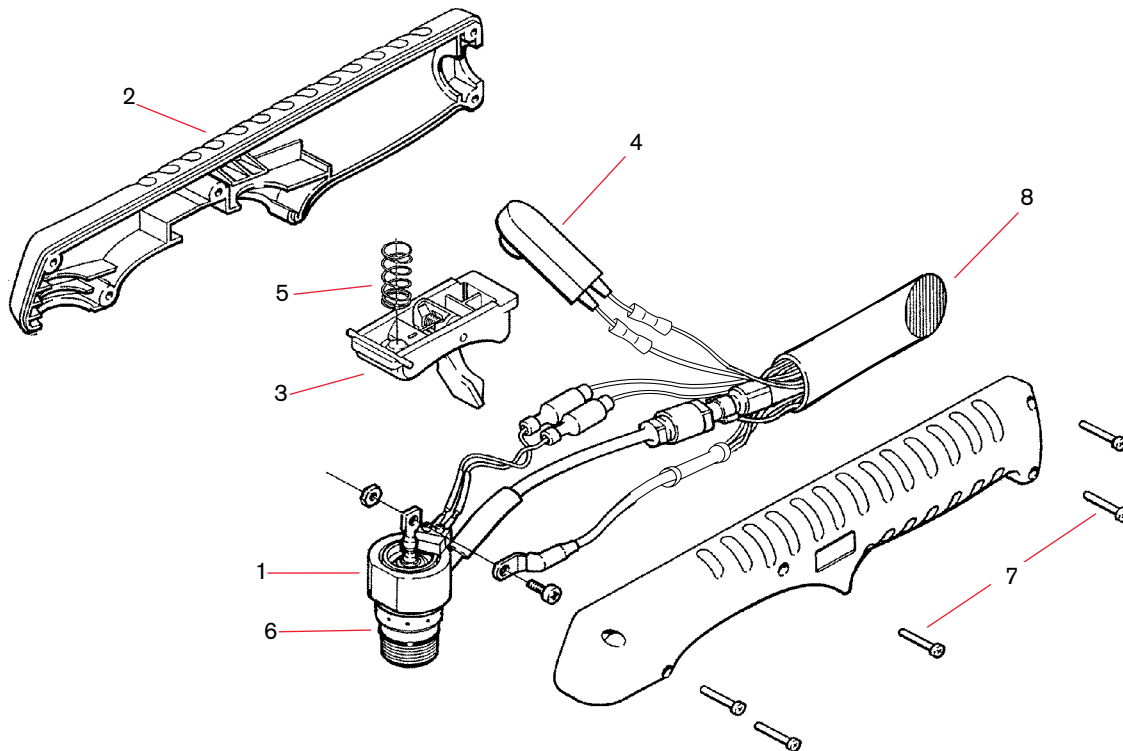
All service parts appearing on this page without a red line are now subject to manufacturer availability and will be priced upon request.

PAC105T hand torch parts

Item	Part number	Description
	128833	PAC105T torch assembly with 7.6 m (25') leads
1	120874	Torch main body with switch
2	001288	Handle (includes both halves)
3	002244	Safety trigger assembly
4	005202	Switch, torch pushbutton
5	027254	Trigger spring
6	058503	O-ring, Viton .625 x .070
7	075339	Screws #4 x 1/2" (five required)
8	128478	Torch lead replacement, 6.1 m (20')
	060133	Work lead with clamp 4.5 m (15')

*Assembly includes consumables.

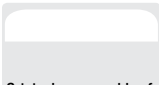
 Selected torches and repair parts are no longer available. System upgrade is recommended. See pages 4-5 for systems by amperage



Powermax600®

PAC123T/PAC123M hand/machine torch consumables

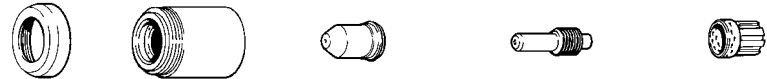
PAC torch assemblies for this system are no longer available for purchase. A Duramax® retrofit torch with new consumables is available for this system (see page 132). A new system upgrade is available. Please see pages 64–65 for information on the new Powermax45 XP



Original consumables for the PAC123T/PAC123M torches remain available with exceptions notated below.

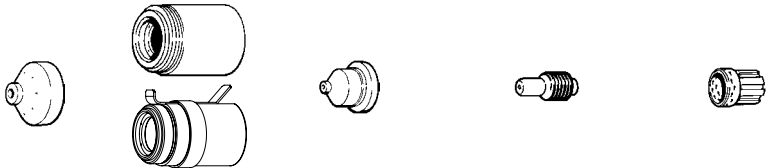


Minimum order quantity		1	1	5	5	1	
Consumable type	Torch type	Amperage	Shield/Deflector	Retaining cap	Nozzle	Electrode	Swirl ring
Shielded	Hand	40	120828	120600	120826	120573	120576

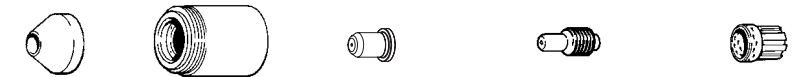


Minimum order quantity		1	1	5	5	1	
Consumable type	Torch type	Amperage	Shield/Deflector	Retaining cap	Nozzle	Electrode	Swirl ring
Unshielded ¹	Hand/Machine	35	120303	120600	120606	120574	120576

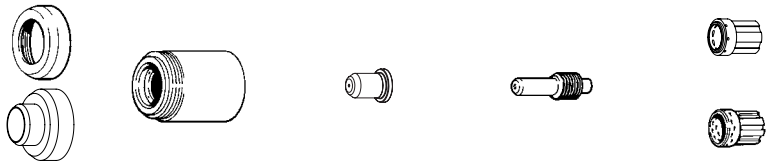
¹In countries following CE standards, unshielded consumables may only be used in mechanized torch applications




Minimum order quantity		1	1	5	5	1	
Consumable type	Torch type	Amperage	Shield/Deflector	Retaining cap	Nozzle	Electrode	Swirl ring
Mechanized	Machine	40	120827	120600 120964 (ohmic)	120826	120573	120576



Minimum order quantity		1	1	5	5	1	
Consumable type	Torch type	Amperage	Shield/Deflector	Retaining cap	Nozzle	Electrode	Swirl ring
Gouging	Hand/Machine		120608	120600	120831	120573	120576



Minimum order quantity		1	1	5	5	1	
Consumable type	Torch type	Amperage	Shield/Deflector	Retaining cap	Nozzle	Electrode	Swirl ring
FineCut®	Hand	40	120303	120600	220330	120574	220332
	Hand	40 CE	220326				220332
	Machine	40	120303				120576
	Machine	40 CE	220326				120576

 Selected consumables are no longer available. System or torch upgrade is recommended. See pages 4–5 for systems and torches by amperage.



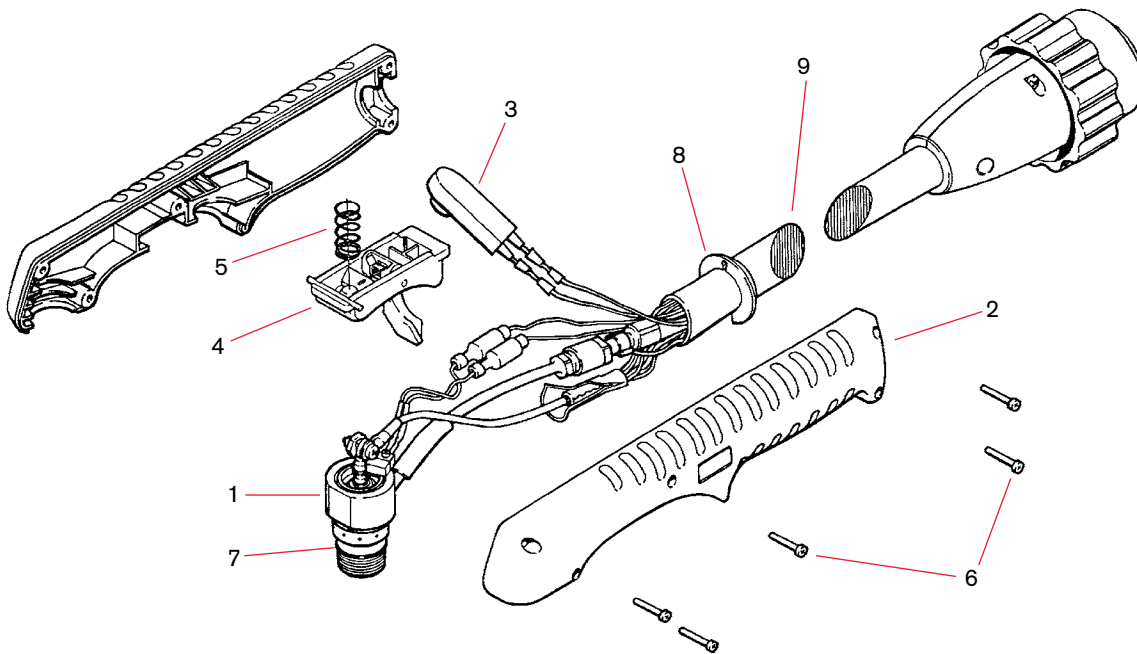
PAC123T hand torch parts

For use with the Powermax600®



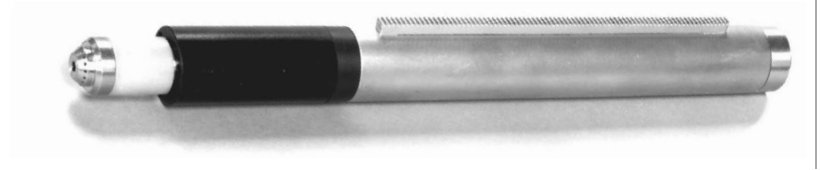
PAC123T hand torch parts

Item	Part number	Description
1	120570	Torch main body with switch
2	001288	Handle (includes both halves)
3	128377	Kit: Switch repair
4	002244	Safety trigger assembly
5	027254	Trigger spring
6	075339	Screw, #4 x 1/2" (five required)
7	044016	O-ring, Buna - N 90 Duro
8	004764	Retaining ring, Gutcha
	123375	Work lead with clamp, 4.5 m (15')
	128379	Work lead with clamp, 15.2 m (50')
9	129476	Torch leads w/o QD, 7.6 m (25')
	129600	Torch leads with QD, 7.6 m (25')



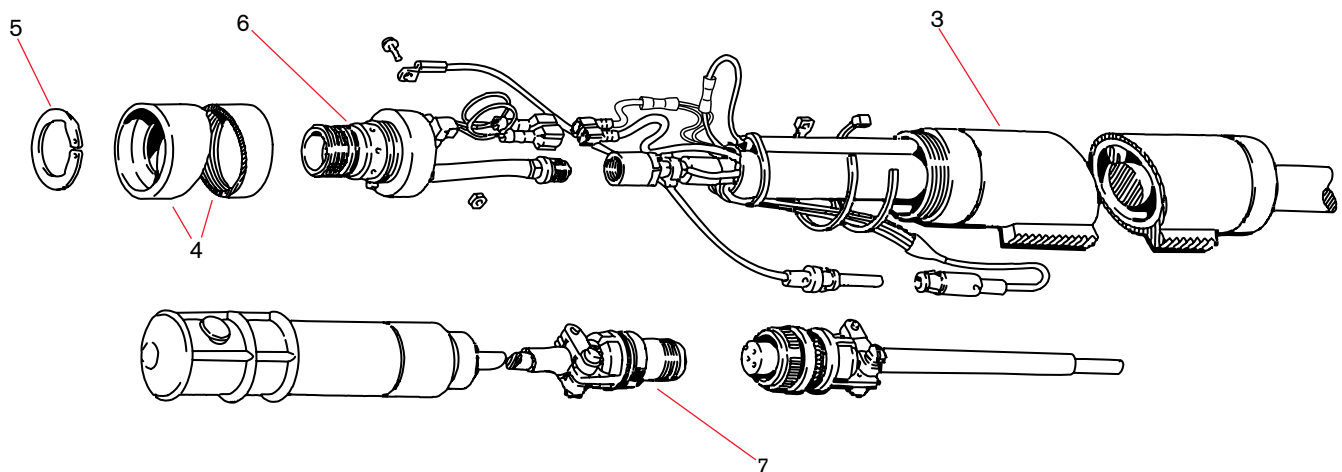
PAC123M machine torch parts

For use with the Powermax600®



PAC123M machine torch parts

Item	Part number	Description
3	020620	Torch positioning sleeve
4	120613	Torch sleeve
5	027599	Snap ring
6	044016	O-ring, Buna - N 90 Duro
7	028714	On/Off pendant, 7.6 m (25')
7	128061	On/Off pendant, 15.2 m (50')
7	128062	On/Off pendant, 22.8 m (75')
	123375	Work lead with clamp, 4.5 m (15')
	128379	Work lead with clamp, 15.2 m (50')





MAX40cs/42/43®

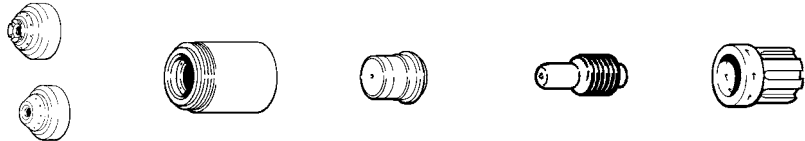
PAC120/PAC121P/PAC121TS/PAC125T hand/machine torch consumables

A label located on the torch handle indicates whether the torch is a PAC121TS or PAC125T

Original consumables for the PAC torches remain available with exceptions notated below.

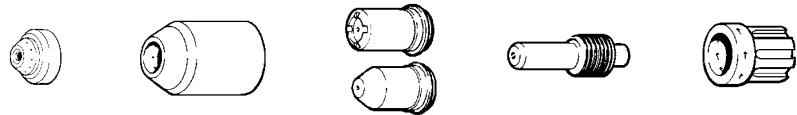
Minimum order quantity		1	1	5	5	1	
Consumable type	Torch type	Amperage	Shield/Deflector	Retaining cap	Nozzle ¹	Electrode	Swirl ring ¹
Standard	Hand/Machine	40		020930	020350	120573	020361

¹Nozzles and swirl rings shown must be used as a set



Minimum order quantity		1	1	5	5	1	
Consumable type	Torch type	Amperage	Shield/Deflector	Retaining cap	Nozzle ¹	Electrode	Swirl ring ¹
Shielded	Hand	40	120601	120600	120438	120573	020361
	Machine	40	120602				

¹Nozzles and swirl rings shown must be used as a set




Minimum order quantity		1	1	5	5	1	
Consumable type	Torch type	Amperage	Shield/Deflector	Retaining cap	Nozzle ¹	Electrode	Swirl ring ¹
Extended ²	Extended	40		020930	020546	120574	020361
	Pipe saddle	40			120023		

¹Nozzles and swirl rings shown must be used as a set

²In countries following CE standards, unshielded consumables may only be used in mechanized torch applications



Minimum order quantity		1	1	5	5	1	
Consumable type	Torch type	Amperage	Shield/Deflector	Retaining cap	Nozzle	Electrode	Swirl ring
Gouging	Hand/Machine			020930	020539	120573	020361

 Selected consumables are no longer available. System or torch upgrade is recommended. See pages 4-5 for systems and torches by amperage.



PAC121TS/PAC125T hand torch parts

For use with the MAX40cs/42/43®

A label located on the torch handle indicates whether the torch is a PAC121TS or PAC125T



All service parts appearing on this page without a red line are now subject to manufacturer availability and will be priced upon request.

PAC121TS hand torch parts


PAC torch assemblies for this system are no longer available for purchase. A Duramax® retrofit torch with new consumables is available for MAX42/43 (see pages 132-134).

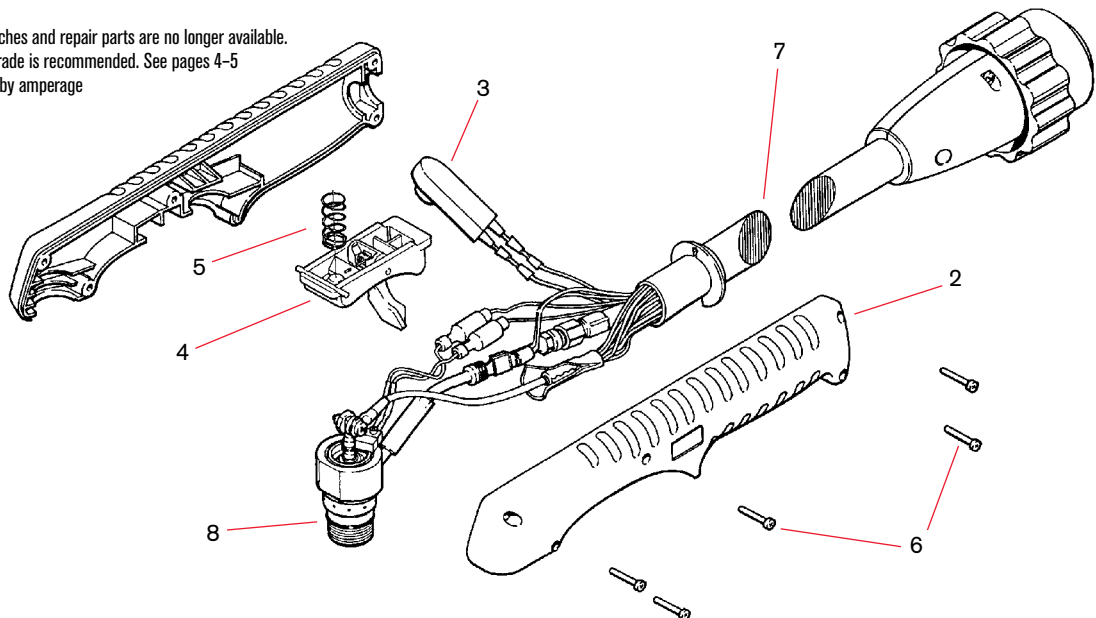
Item	Part number	Description
7	029556	MAX40cs torch leads without QD 7.6 m (25')
7	029557	MAX40cs torch leads without QD 15.2 m (50')
2	001288	Handle (includes both halves)
3	128284	Switch, torch pushbutton, kit, HNDTCH, PBSW RPR
4	002244	Safety trigger assembly
5	027254	Safety trigger spring
6	075340	Screw, #4 x 5/8" (five required)
8	044016	O-ring, Buna - N 90 Duro
	023452	MAX43 work lead with clamp, 4.5 m (15')
	023415	MAX40cs work lead with clamp, 4.5 m (15')
	023205	MAX42 work lead with clamp, 4.5 m (15')

PAC125T hand torch parts

PAC torch assemblies for this system are no longer available for purchase. A Duramax retrofit torch with new consumables is available for MAX42/43 (see pages 132-134).

Item	Part number	Description
2	001288	Handle (includes both halves)
3	128284	Switch, torch pushbutton, kit, HNDTCH, PBSW RPR
4	002244	Safety trigger assembly
5	027254	Safety trigger spring
6	075340	Screw, #4 x 5/8" (five required)
8	044016	O-ring, Buna - N 90 Duro
	023452	MAX43 work lead with clamp, 4.5 m (15')
	023415	MAX40cs work lead with clamp, 4.5 m (15')
	023205	MAX42 work lead with clamp, 4.5 m (15')

 Selected torches and repair parts are no longer available. System upgrade is recommended. See pages 4-5 for systems by amperage



PAC121P hand torch parts

For use with the MAX40cs/42/43®

All service parts appearing on this page without a red line are now subject to manufacturer availability and will be priced upon request.




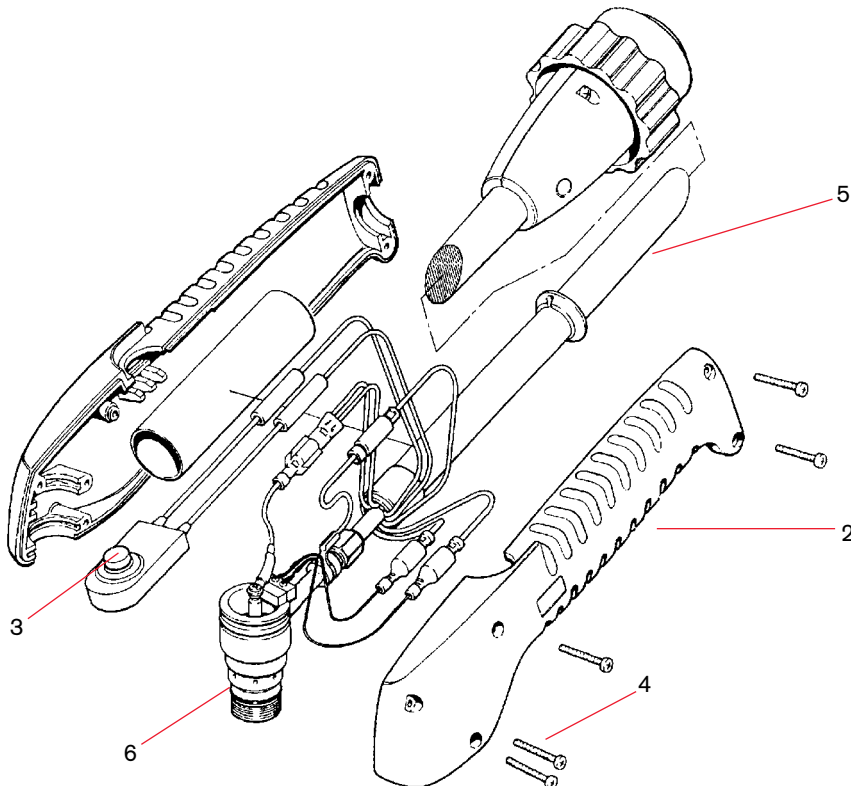
PAC121P hand torch parts

PAC torch assemblies for this system are no longer available for purchase. A Duramax® retrofit torch with new consumables is available for MAX42/43 (see pages 132-134)

Item	Part number	Description
	057176	MAX40cs hand torch assembly without QD 7.6 m (25') leads
	057177	MAX40cs hand torch assembly without QD 15.2 m (50') leads
5	029483	MAX40cs torch leads without QD 7.6 m (25')
5	029484	MAX40cs torch leads without QD 15.2 m (50')
2	001215	Handle (includes both halves)
3	005094	Switch, torch pushbutton
4	075365	Screw, #6 x 3/4" (five required)
6	044016	O-ring, Buna - N 90 Duro
	023452	MAX43 work lead with clamp, 4.5 m (15')
	023415	MAX40cs work lead with clamp, 4.5 m (15')
	023205	MAX42 work lead with clamp, 4.5 m (15')

¹Assembly includes consumables.

 Selected torches and repair parts are no longer available. System upgrade is recommended. See pages 4-5 for systems by amperage





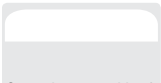
Hypertherm

65A

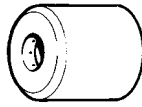
powermax 65

MAX40[®]/HT40[®]

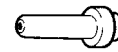
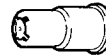
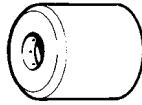
PAC140/MAX40/HT40 hand/machine torch consumables



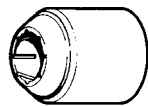
Original consumables for the PAC140/MAX40/HT40 torches remain available with exceptions notated below.



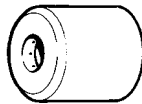
Minimum order quantity			1	5	5	1
Consumable type	Torch type	Amperage	Retaining cap	Nozzle	Electrode	Swirl ring
Standard – Air	Hand/Machine		020104	020115	020103	020101
Standard – Nitrogen (N ₂)	Hand/Machine				020167	




Minimum order quantity			1	5	5	1
Consumable type	Torch type	Amperage	Retaining cap	Nozzle	Electrode	Swirl ring
Extended – Air	Hand/Machine –Extended		020104	020466	020467	020101



Minimum order quantity			1	5	5	1
Consumable type	Torch type	Amperage	Retaining cap	Nozzle	Electrode	Swirl ring
Tapered– Air	Hand/Machine		020200	020197	020103	020101
Tapered – Nitrogen (N ₂)	Hand/Machine				020167	



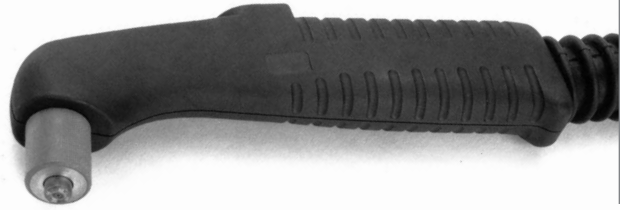
Order quantity			1	5	5	1
Consumable type	Torch type	Amperage	Retaining cap	Nozzle	Electrode	Swirl ring
Gouging– Air	Hand/Machine		020104	020340	020103	020101
Gouging – Nitrogen (N ₂)	Hand/Machine				020167	

 Selected consumables are no longer available. System upgrade is recommended. See pages 4–5 for systems and torches by amperage.



PAC140 hand torch parts

For use with the MAX40/HT40®




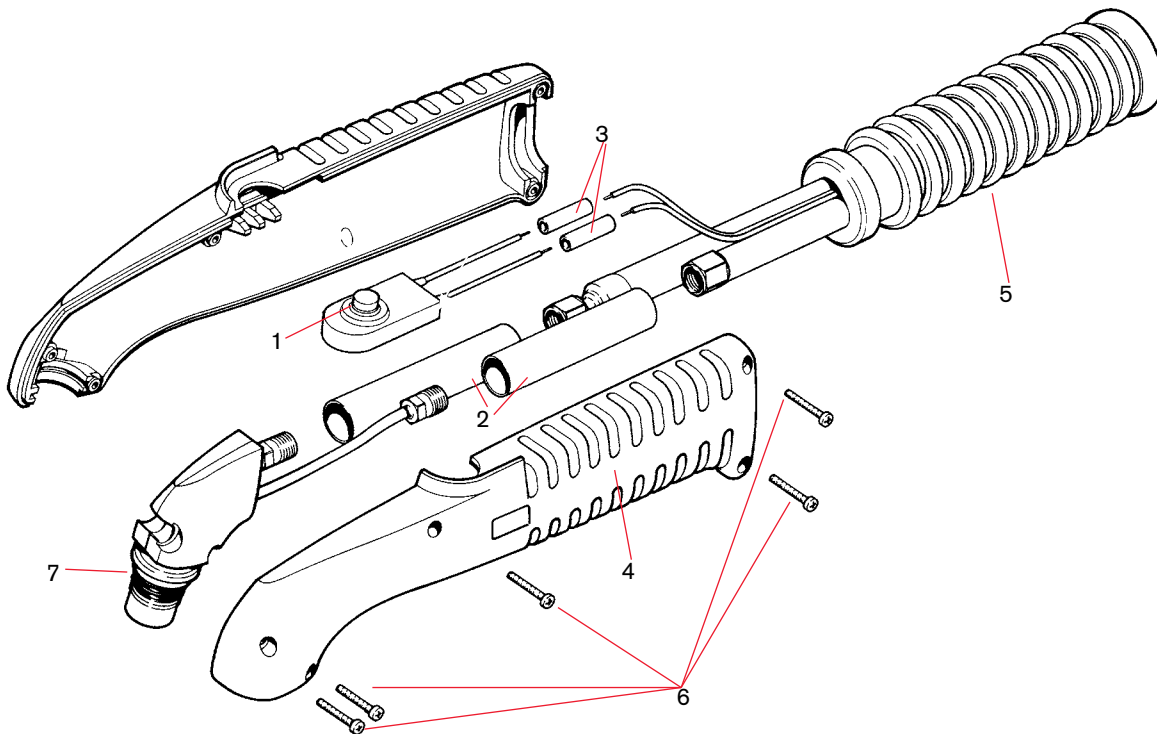
All service parts appearing on this page without a red line are now subject to manufacturer availability and will be priced upon request.

PAC140 hand torch parts

Item	Part number	Description
	057112	Torch assembly with 7.6 m (25') leads
	057113	Torch assembly with 15.2 m (50') leads
1	005094	Switch, torch pushbutton
2	020536	Lead insulator (two required)
	020479	Torch main body
3	074069	Splice, butt, insulated (two required)
4	001214	Handle (includes both halves)
5	001260	Boot
6	075365	Screw #6 x 3/4" (five required)
7	044016	O-ring, Buna - N 90 Duro
	029129	Torch leads, 7.6 m (25')
	029130	Torch leads, 15.2 m (50')
	023205	Work lead with clamp, 4.5 m (15')

*Assembly includes consumables.

 Selected torches and repair parts are no longer available. System upgrade is recommended. See pages 4-5 for systems by amperage



MAX40[®]/HT40[®] machine torch parts


For use with the MAX40/HT40[®]

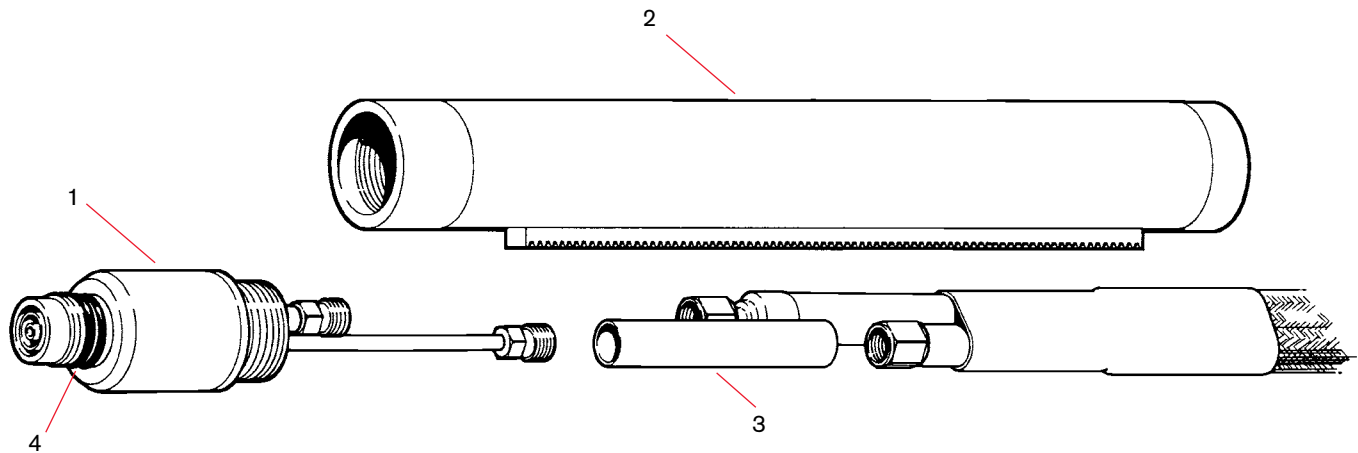
All service parts appearing on this page without a red line are now subject to manufacturer availability and will be priced upon request.

PAC140 hand torch parts

Item	Part number	Description
	028287*	Torch assembly
1	020114	Torch main body
2	020231	Torch position sleeve, 273.05 mm (10-3/4") (included in 028287)
2	020269	Torch position sleeve, 457.2 mm (18")
3	004302	Lead insulator
4	044016	O-ring, Buna - N 90 Duro
	028288	Torch leads, 7.6 m (25')
	028289	Torch leads, 10.7 m (35')
	028290	Torch leads, 15.2 m (50')
	023205	Work lead with clamp, 4.5 m (15')

*Assembly includes consumables.

 Selected torches and repair parts are no longer available. System upgrade is recommended. See pages 4-5 for systems by amperage

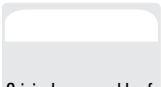




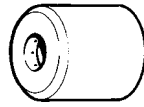
H
powermax405T

HT40®/HT40C

HT40/HT40C machine torch consumables



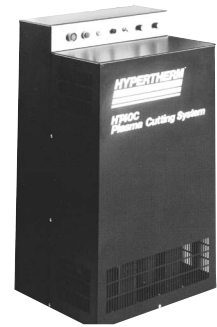
Original consumables for the HT40/HT40C torches remain available with exceptions notated below.



Minimum order quantity			1	5	5	1
Consumable type	Torch type	Amperage	Retaining cap	Nozzle	Electrode	Swirl ring
Standard – Air	Machine	40	020104	020102	020103	020101
Standard – Nitrogen (N ₂)				020102	020167	
Standard – Pipe saddle Air				020131	020103	
Standard – Pipe saddle Nitrogen (N ₂)				020131	020167	



Selected consumables are no longer available. System upgrade is recommended. See pages 4-5 for systems and torches by amperage.



HT40[®]/HT40C[®] torch parts


For use with the HT40/HT40C[®]

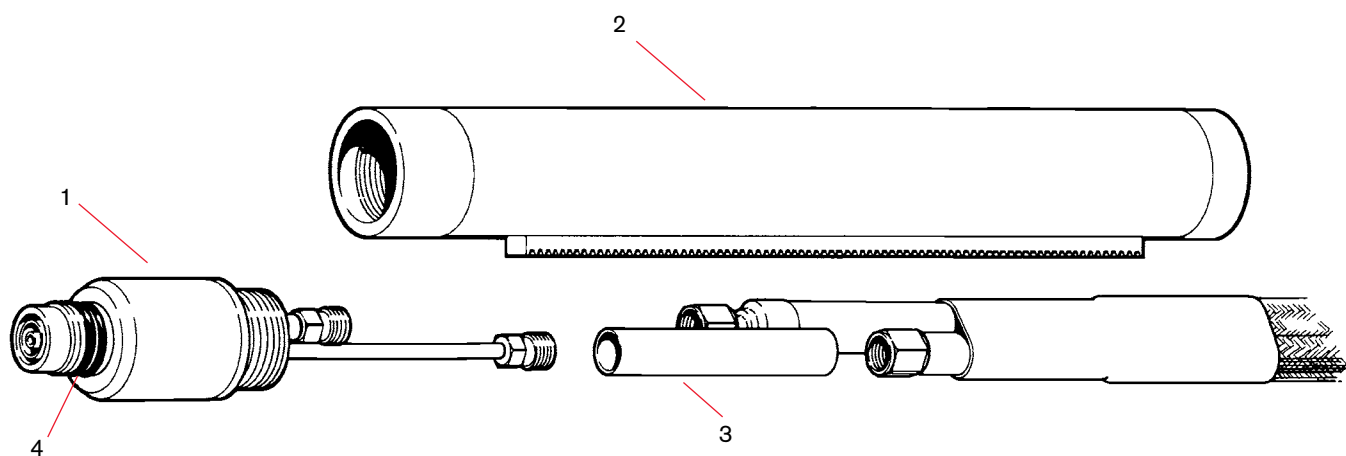
All service parts appearing on this page without a red line are now subject to manufacturer availability and will be priced upon request.

HT40/HT40C machine torch parts

Item	Part number	Description
	028287	HT40 machine torch assembly
1	020114	Torch main body
2	020231	Torch position sleeve, 273.05 mm (10-3/4") (included in 028287)
2	020269	Torch position sleeve, 457.2 mm (18")
3	004302	Lead insulator
4	044016	O-ring, Buna - N 90 Duro
	028288	Torch leads, 7.6 m (25')
	028289	Torch leads, 10.7 m (35')
	028290	Torch leads, 15.2 m (50')
	023261	Work lead without clamp 7.6 m (25')

*Assembly includes consumables.

 Selected torches and repair parts are no longer available. System upgrade is recommended. See pages 4-5 for systems by amperage



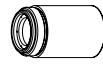
Powermax1000®

T60/T60M hand/machine torch consumables

T60/T60M torches for the Powermax1000 have been obsoleted.
A Duramax® retrofit torch with new consumables is available for this system (see page 128).

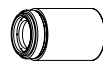


Original consumables for the T60/T60M torches remain available and are listed below.



Minimum order quantity			1	1	5	5	1
Consumable type	Torch type	Amperage	Shield/Deflector	Retaining cap	Nozzle	Electrode	Swirl ring
Shielded	Hand	40	120929 ¹	120928	120932 ¹	120926 ¹	120925
		60			120931 ¹		

¹Consumable available in bulk packaging. See order information on next page.



Minimum order quantity			1	1	5	5	1
Consumable type	Torch type	Amperage	Shield/Deflector	Retaining cap	Nozzle	Electrode	Swirl ring
Unshielded ²	Hand/Machine	40	120979	120928	220006	120926 ¹	120925
		60			220007		

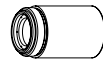
¹Consumable available in bulk packaging. See order information on next page.

²In countries following CE standards, unshielded consumables may only be used in mechanized torch applications.



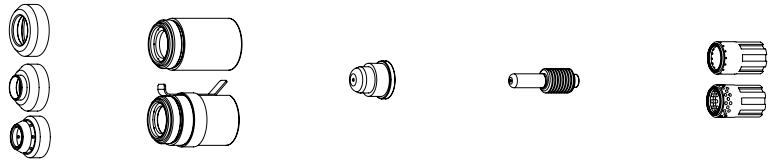
Minimum order quantity			1	1	5	5	1
Consumable type	Torch type	Amperage	Shield/Deflector	Retaining cap	Nozzle	Electrode	Swirl ring
Mechanized	Machine	40	120930 ¹	120928	120932 ¹	120926 ¹	120925
		60		220061 (ohmic)	120931 ¹		

¹Consumable available in bulk packaging. See order information on next page.



Minimum order quantity			1	1	5	5	1
Consumable type	Torch type	Amperage	Shield/Deflector	Retaining cap	Nozzle	Electrode	Swirl ring
Gouging	Hand/Machine	60	120977	120928	220059	120926 ¹	120925

¹Consumable available in bulk packaging. See order information on next page.



Minimum order quantity		1	1	5	5	1	
Consumable type	Torch type	Amperage	Shield/Deflector	Retaining cap	Nozzle	Electrode	Swirl ring
FineCut®	Hand	40	120979	120928	220329	120926 ²	220327
		40 CE ³	220325				
	Machine	40	120979 220404 (ohmic)	120928 220061 (ohmic)			120925
		40 CE ³	220325 220404 (ohmic)				

¹Consumable available in bulk packaging. See order information below.

³CE Shield for use in countries requiring CE,CCC,GOST marks.

Consumable bulk kits

Order quantity	25	25	25	10	10
Bulk kit part number	228437	228440	228441	228439	228601
Contents	120926 electrode	120931 nozzle	120932 nozzle	120929 shield	120930 shield



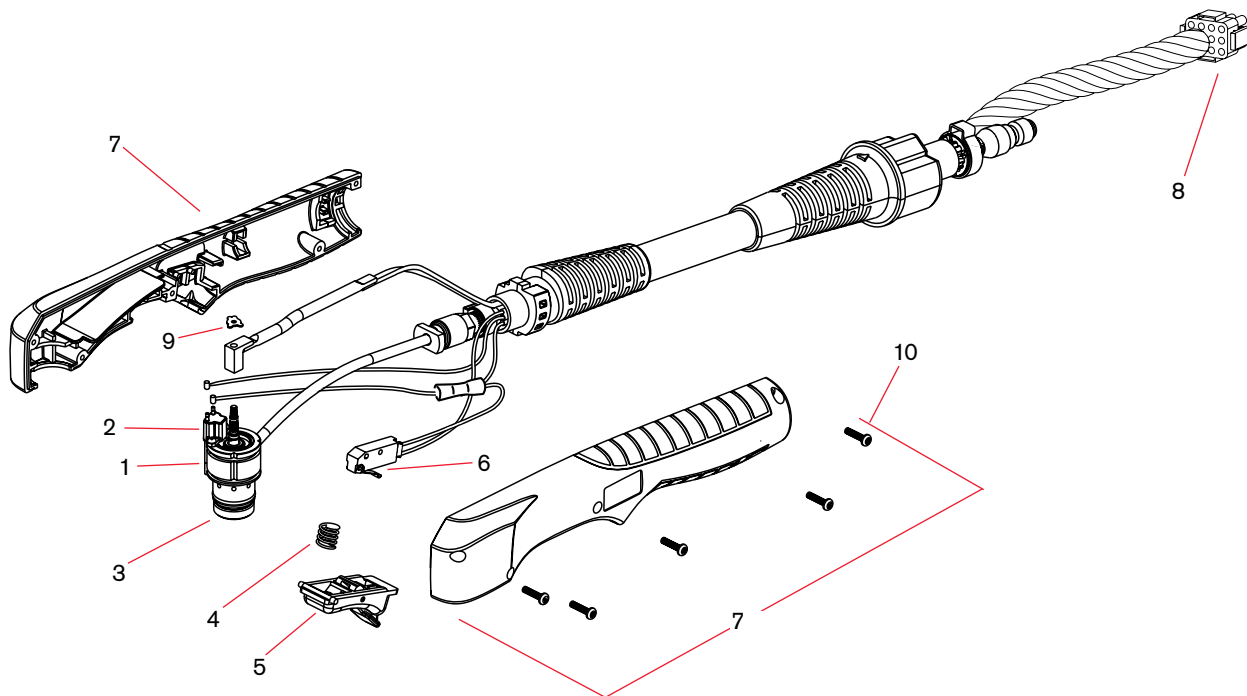
T60 hand torch parts

For use with the Powermax1000®



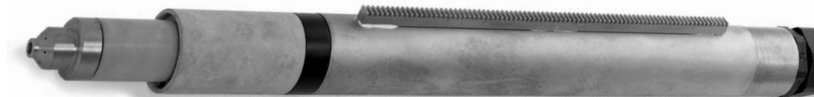
T60 hand torch parts

Item	Part number	Description
1	128564	Kit: T60/T80 torch main body replacement (does not include cap sensor)
2	128639	Kit: Cap sensor switch replacement with screws
	075571	Cap-off sensor screw
3	128521	Kit: T60/T80, T60M/T80M torch head repair (does not include head)
4	027254	Trigger spring
5	002244	Safety trigger assembly
6	128642	Kit: T60/T80 start switch replacement
7	128644	Kit: T60/T80 torch handle replacement
8	128638	Kit: ETR connector repair (regional repair centers only)
9	027889	Retaining clip
	123645	Work lead with clamp, 6.1 m (20')
	128717	Work lead with clamp, 15.2 m (50')
10	075714	Torch handle replacement screws



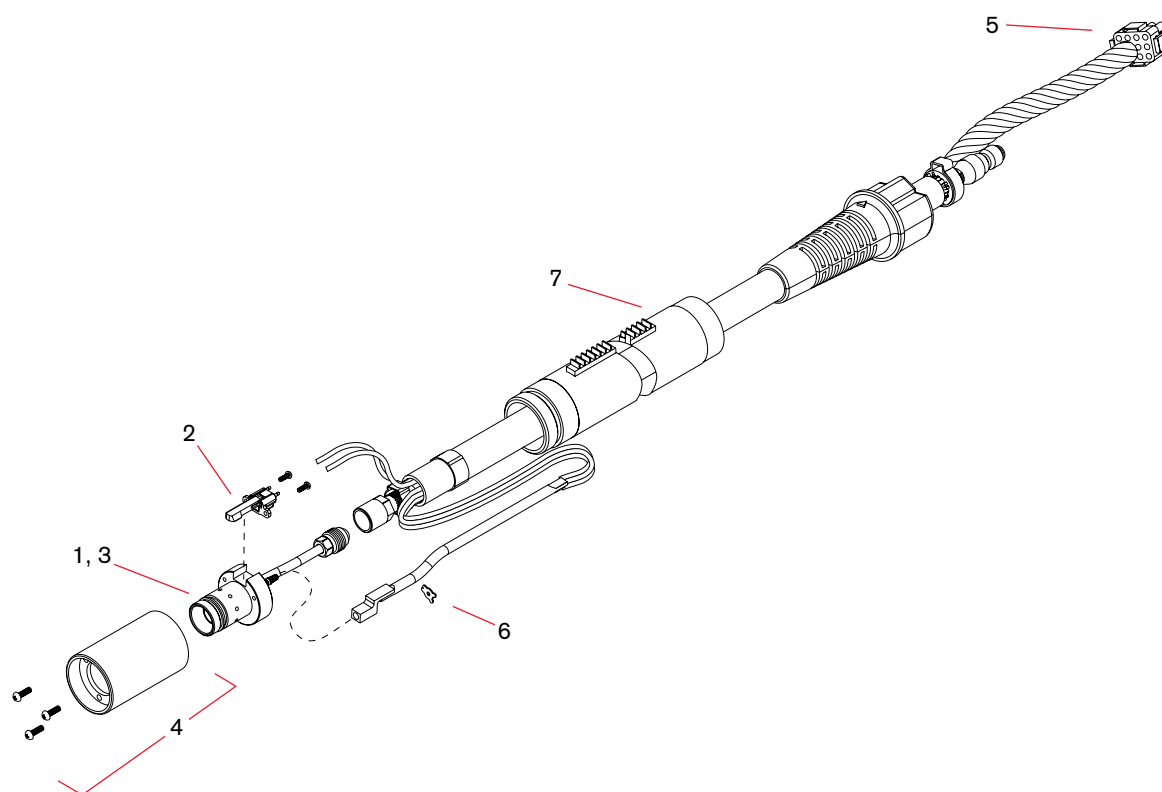
T60M machine torch parts

For use with the Powermax1000®



T60M machine torch parts

Item	Part number	Description
	128645	Kit: Torch mounting
1	128640	Kit: T60M/T80M torch main body replacement (does not include cap sensor)
2	128639	Kit: Cap sensor switch replacement
	075571	Cap-off sensor screw
3	128521	Kit: T60/T80, T60M/T80M torch head repair (does not include head)
4	128643	Kit: T60M/T80M mounting sleeve replacement
5	128638	Kit: ETR connector repair (regional repair centers only)
6	027889	Retaining clip
7	128710	Kit: T60/T80M positioning sleeve replacement
	128650	On/Off pendant for machine torch, 7.6 m (25')
	128651	On/Off pendant for machine torch, 15.2 m (50')
	128652	On/Off pendant for machine torch, 22.8 m (75')
	123645	Work lead with clamp, 6.1 m (20')
	128717	Work lead with clamp, 15.2 m (50')



Powermax900®

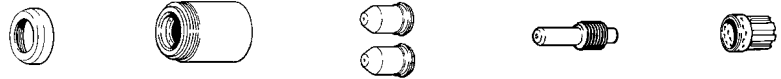
PAC125T/PAC125M hand/machine torch consumables

PAC125T hand torch and PAC125M torch assemblies for this system are no longer available for purchase. A Duramax® retrofit torch with new consumables is available for this system (see page 132).

Original consumables for the PAC125T and PAC125M torches remain available with exceptions notated below.



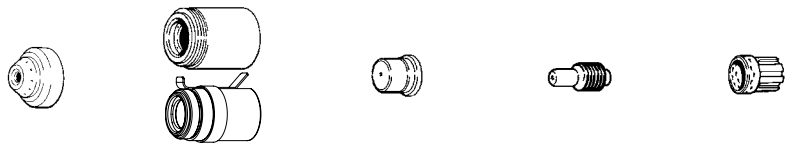
Minimum order quantity		1	1	5	5	1	
Consumable type	Torch type	Amperage	Shield/Deflector	Retaining cap	Nozzle	Electrode	Swirl ring
Shielded	Hand	55	120601	120600	120577	120573	120576



Minimum order quantity		1	1	5	5	1	
Consumable type	Torch type	Amperage	Shield/Deflector	Retaining cap	Nozzle ²	Electrode	Swirl ring ²
Unshielded ¹	Hand/Machine – Pipe saddle	35	120303	120600	120606	120574	120576
		55			120578		

¹In countries following CE standards, unshielded consumables may only be used in mechanized torch applications.

²Nozzles and swirl rings shown must be used as a set.



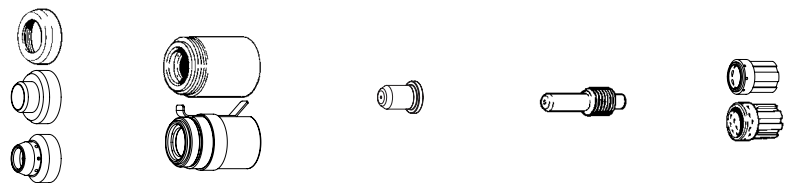
Minimum order quantity		1	1	5	5	1	
Consumable type	Torch type	Amperage	Shield/Deflector	Retaining cap	Nozzle ²	Electrode	Swirl ring ²
Mechanized	Machine	55	120602	120600 120964 (ohmic)	120577	120573	120576

²Nozzles and swirl rings shown must be used as a set.




Minimum order quantity		1	1	5	5	1	
Consumable type	Torch type	Amperage	Shield/Deflector	Retaining cap	Nozzle ²	Electrode	Swirl ring ²
Gouging	Hand/Machine	55	120608	120600	120607	120573	120576

²Nozzles and swirl rings shown must be used as a set.



Minimum order quantity		1	1	5	5	1	
Consumable type	Torch type	Amperage	Shield/Deflector	Retaining cap	Nozzle	Electrode	Swirl ring
FineCut®	Hand	40	120303	120600	220330	120574	220332
		40 CE ³	220326				
	Machine	40	120303 220403 (ohmic)	120600 120964 (ohmic)			120576
		40 CE	220326 220403 (ohmic)				

³CE Shield for use in countries requiring CE,CCC,GOST marks.

 Selected consumables are no longer available. System or torch upgrade is recommended. See pages 4–5 for systems and torches by amperage.



PAC125T hand torch parts

For use with the Powermax900®




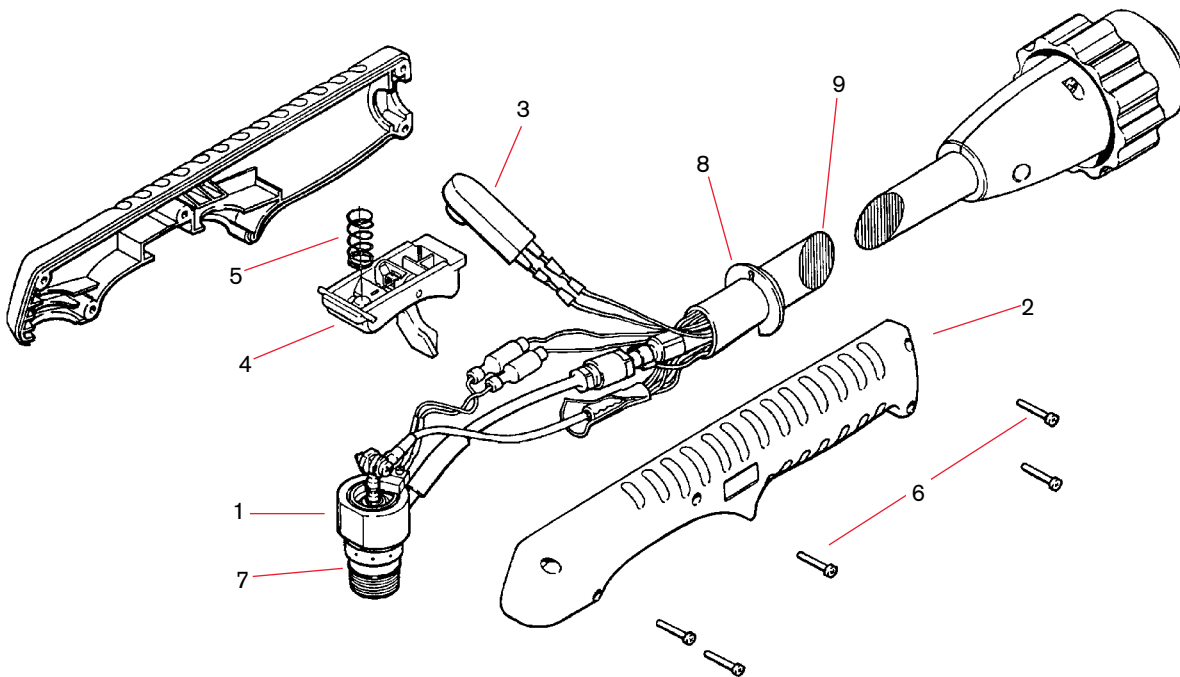
All service parts appearing on this page without a red line are now subject to manufacturer availability and will be priced upon request.

PAC125T hand torch parts

PAC125T hand torch and PAC125M torch assemblies for this system are no longer available for purchase. A Duramax® retrofit torch with new consumables is available for this system (see pages 132-134).

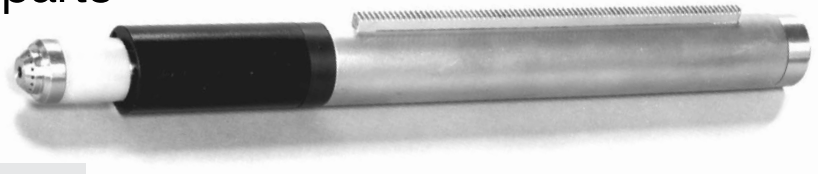
Item	Part number	Description
1	120570	Torch main body with switch
2	001288	Handle (includes both halves)
3	128284	Kit: Switch repair
4	002244	Safety trigger assembly
5	027254	Trigger spring
6	075339	Screw, #4 x 1/2" (five required)
7	044016	O-ring, Buna - N 90 Duro
8	004764	Ring, Gutcha
	023922	Work lead with clamp, 6.1 m (20')
	028907	Work lead with clamp, 15.2 m (50')
9	129352	PAC125T torch leads, 15.2 m (50')

 Selected torches and repair parts are no longer available. System upgrade is recommended. See pages 4-5 for systems by amperage



PAC125M machine torch parts

For use with the Powermax900®




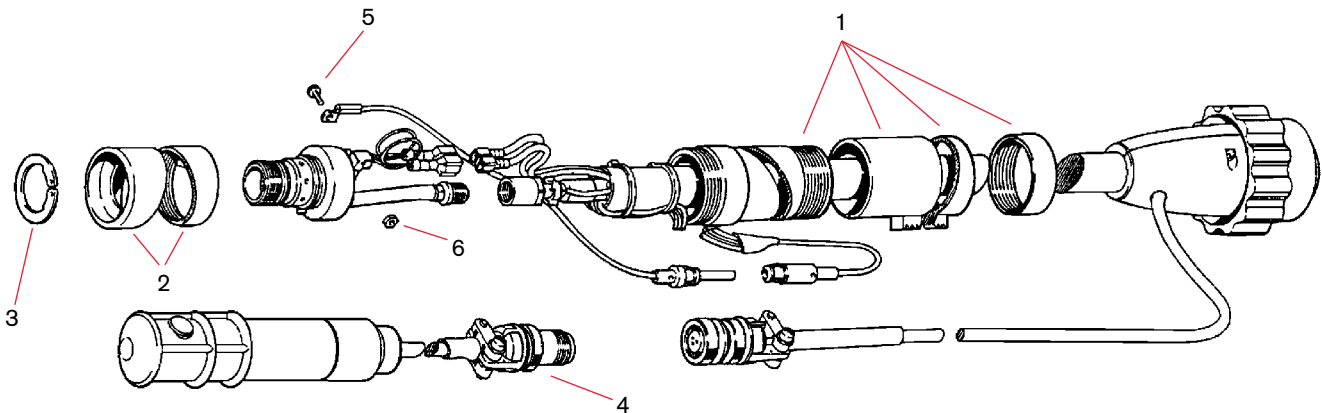
All service parts appearing on this page without a red line are now subject to manufacturer availability and will be priced upon request.

PAC125M machine torch parts

PAC125T hand torch and PAC125M torch assemblies for this system are no longer available for purchase. A Duramax® retrofit torch with new consumables is available for this system (see pages 132-134).

Item	Part number	Description
1	020620	Torch positioning sleeve
2	120613	Torch sleeve
3	027599	Snap ring
4	028714	On/Off pendant, 7.6 m (25')
4	128061	On/Off pendant, 15.2 m (50')
4	128062	On/Off pendant, 22.8 m (75')
5	075504	Screw, 4-40 x 5/16"
6	075503	Locknut, 4-40
	023922	Work lead with clamp, 6.1 m (20')
	028907	Work lead with clamp, 15.2 m (50')

 Selected torches and repair parts are no longer available. System upgrade is recommended. See pages 4-5 for systems by amperage





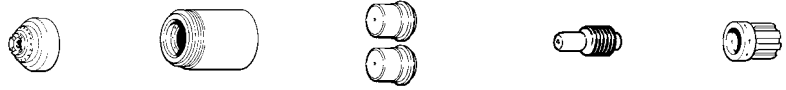
Powermax800®

PAC121TS/PAC125T/PAC121M/PAC125M hand/machine torch consumables

A label located on the torch handle indicates whether the torch is a PAC121TS or PAC125T

PAC torch assemblies for this system are no longer available.
A Duramax® retrofit torch with new consumables is available for this system (see page 132).

Original consumables for the PAC torches remain available with exceptions notated below.



Minimum order quantity		1	1	5	5	1	
Consumable type	Torch type	Amperage	Shield/Deflector	Retaining cap	Nozzle ¹	Electrode	Swirl ring ¹
Shielded	Hand	40	120601	120600	120438	120573	020361
		50			120282		

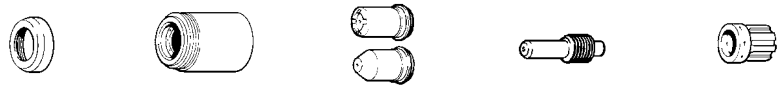
¹Nozzles and swirl rings shown must be used as a set.



Minimum order quantity		1	1	5	5	1	
Consumable type	Torch type	Amperage	Shield/Deflector	Retaining cap	Nozzle ¹	Electrode	Swirl ring ¹
Unshielded ²	Hand/Machine	50	120303	120600	020395	120573	020361

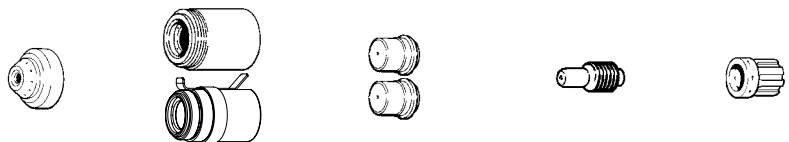
¹Nozzles and swirl rings shown must be used as a set.

²In countries following CE standards, unshielded consumables may only be used in mechanized torch applications.



Minimum order quantity		1	1	5	5	1	
Consumable type	Torch type	Amperage	Shield/Deflector	Retaining cap	Nozzle ¹	Electrode	Swirl ring ¹
Extended	Hand/Machine – Pipe saddle	50	120303	120600	120304	120574	020361
		50			120305		

¹Nozzles and swirl rings shown must be used as a set.



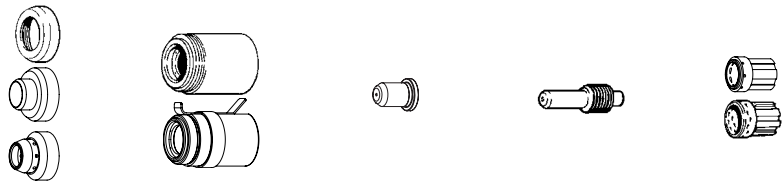
Minimum order quantity		1	1	5	5	1	
Consumable type	Torch type	Amperage	Shield/Deflector	Retaining cap	Nozzle ¹	Electrode	Swirl ring ¹
Mechanized	Machine	40	120602	120600	120438	120573	020361
		50		120964 (ohmic)	120282		

¹Nozzles and swirl rings shown must be used as a set.



Minimum order quantity		1	1	5	5	1	
Consumable type	Torch type	Amperage	Shield/Deflector	Retaining cap	Nozzle ¹	Electrode	Swirl ring ¹
Gouging	Hand/Machine	50	120608	120600	120281	120573	020361

¹Nozzles and swirl rings shown must be used as a set.



Minimum order quantity		1	1	5	5	1	
Consumable type	Torch type	Amperage	Shield/Deflector	Retaining cap	Nozzle	Electrode	Swirl ring
FineCut®	Hand	40	120303	120600	220330	120574	220332
		40 CE ²	220326				
	Machine	40	120303 220403 (ohmic)	120600 120964 (ohmic)			120576
		40 CE	220326 220403 (ohmic)				

²CE Shield for use in countries requiring CE,CCC,GOST marks.

Selected consumables are no longer available.
System or torch upgrade is recommended.
See pages 4-5 for systems and torches by amperage.



PAC121TS/PAC125T hand torch parts

For use with the Powermax800®

A label located on the torch handle indicates whether the torch is a PAC121TS or PAC125T

All service parts appearing on this page without a red line are now subject to manufacturer availability and will be priced upon request.



PAC121TS hand torch parts

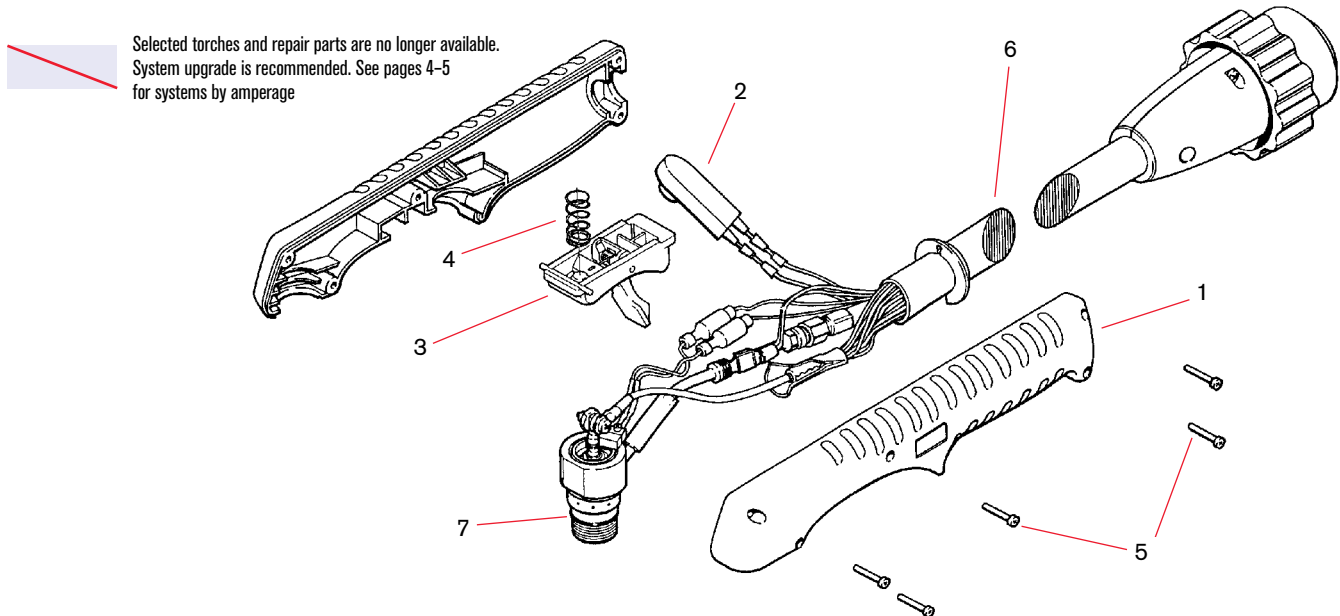
PAC torch assemblies for this system are no longer available for purchase. A Duramax® retrofit torch with new consumables is available for the Powermax800 (see pages 132-134).

Item	Part number	Description
6	029556	MAX40cs torch leads without QD 7.6 m (25')
6	029557	MAX40cs torch leads without QD 15.2 m (50')
1	001288	Handle (includes both halves)
2	128284	Switch, torch pushbutton, kit, HNDTCH, PBSW RPR
3	002244	Safety trigger assembly
4	027254	Safety trigger spring
5	075340	Screw, #4 x 5/8" (five required)
7	044016	O-ring, Buna - N 90 Duro
	023452	MAX43 work lead with clamp, 4.5 m (15')
	023415	MAX40cs work lead with clamp, 4.5 m (15')
	023205	MAX42 work lead with clamp, 4.5 m (15')

PAC125T hand torch parts

PAC torch assemblies for this system are no longer available for purchase. A Duramax retrofit torch with new consumables is available for the Powermax800 (see pages 132-134).

Item	Part number	Description
1	001288	Handle (includes both halves)
2	128284	Switch, torch pushbutton, kit, HNDTCH, PBSW RPR
3	002244	Safety trigger assembly
4	027254	Safety trigger spring
5	075340	Screw, #4 x 5/8" (five required)
7	044016	O-ring, Buna - N 90 Duro
	023452	MAX43 work lead with clamp, 4.5 m (15')
	023415	MAX40cs work lead with clamp, 4.5 m (15')
	023205	MAX42 work lead with clamp, 4.5 m (15')



PAC121M/PAC125M machine torch parts

For use with the Powermax800®



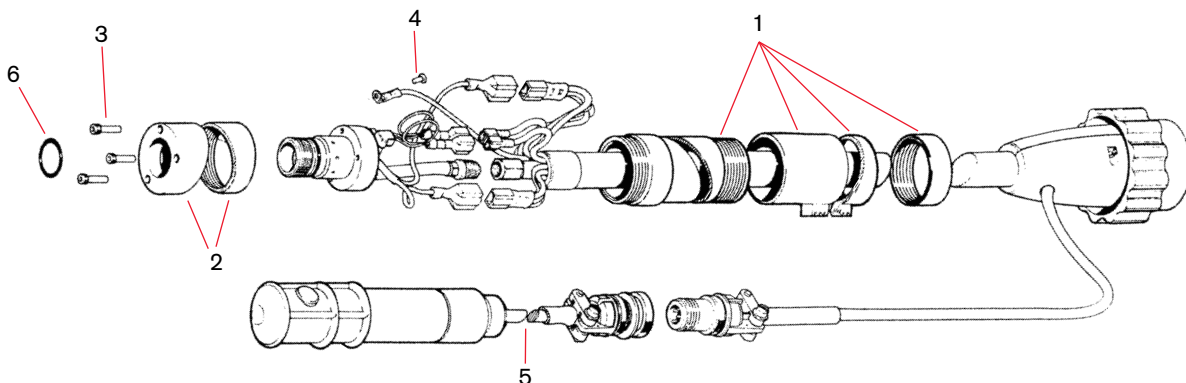
PAC121M machine torch parts

Item	Part number	Description
1	020620	Torch position sleeve
2	020559	Torch sleeve
3	075321	Screw, 4-40 x 1/2, Hex, SS (three required)
4	075322	Screw, 4-40 x 1/4, SL, SZ
5	028461	On/Off pendant, 7.6 m (25')
5	028462	On/Off pendant, 15.2 m (50')
5	028463	On/Off pendant, 22.8 m (75')
6	044016	O-ring: Buna 90 Duro .614 x .070
	023922	Work lead with clamp, 6.1 m (20')
	028907	Work lead with clamp, 15.2 m (50')

PAC125M machine torch parts

Item	Part number	Description
1	020620	Torch position sleeve
2	120613	Torch sleeve
3	075321	Screw, 4-40 x 1/2, Hex, SS (three required)
4	075322	Screw, 4-40 x 1/4, SL, SZ
5	028714	On/Off pendant, 7.6 m (25')
5	128061	On/Off pendant, 15.2 m (50')
5	128062	On/Off pendant, 22.8 m (75')
6	044016	O-ring: Buna 90 Duro .614 x .070
	023922	Work lead with clamp, 6.1 m (20')
	028907	Work lead with clamp, 15.2 m (50')

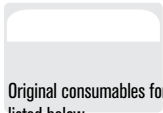
Selected torches and repair parts are no longer available.
System upgrade is recommended. See pages 4-5
for systems by amperage



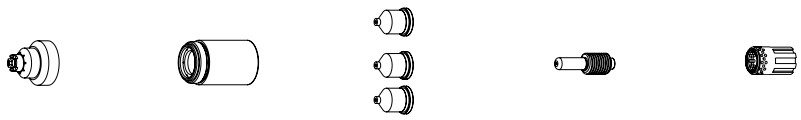
Powermax1250[®]

T80/T80M hand/machine torch consumables

T80/T80M torches have been obsoleted for the Powermax1250. A Duramax[®] retrofit torch with new consumables is available for this system (see page 128).

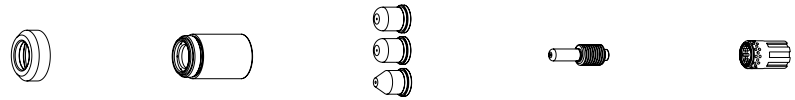


Original consumables for the T80 and T80M torches remain available and are listed below.



Minimum order quantity			1	1	5	5	1
Consumable type	Torch type	Amperage	Shield/Deflector ¹	Retaining cap	Nozzle	Electrode	Swirl ring
Shielded	Hand	40	120929 ¹	120928	120932 ²	120926 ¹	120925
		60			120931 ¹		
		80			120927 ¹		

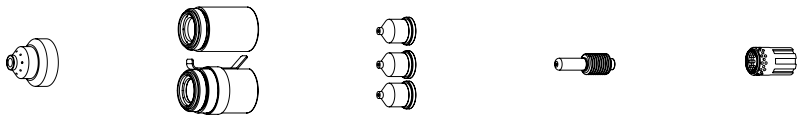
¹Consumable available in bulk packaging. See order information on next page.



Minimum order quantity			1	1	5	5	1
Consumable type	Torch type	Amperage	Shield/Deflector	Retaining cap	Nozzle ²	Electrode ²	Swirl ring
Unshielded ²	Hand/Machine	40	120979	120928	220006	120926 ¹	120925
		60			220007		
		80			120980		

²Consumable available in bulk packaging. See order information on next page.

¹In countries following CE standards, unshielded consumables may only be used in mechanized torch applications.



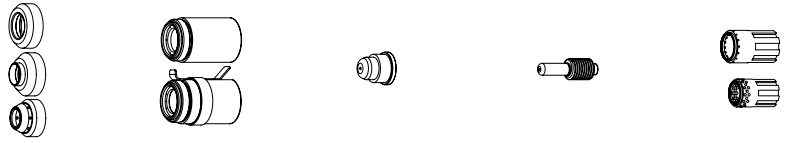
Minimum order quantity			1	1	5	5	1
Consumable type	Torch type	Amperage	Shield/Deflector	Retaining cap	Nozzle	Electrode	Swirl ring
Mechanized	Machine	40	120930 ¹	120928 220061 (ohmic)	120932 ²	120926 ¹	120925
		60			120931 ¹		
		80			120927 ¹		

¹Consumable available in bulk packaging. See order information on next page.



Minimum order quantity			1	1	5	5	1
Consumable type	Torch type	Amperage	Shield/Deflector	Retaining cap	Nozzle	Electrode	Swirl ring
Gouging	Hand/Machine	60-80	120977	120928	220059	120926 ¹	120925

¹Consumable available in bulk packaging. See order information on next page.



Minimum order quantity		1	1	5	5	1	
Consumable type	Torch type	Amperage	Shield/Deflector	Retaining cap	Nozzle	Electrode	Swirl ring
FineCut®	Hand	40	120979	120928 220061 (ohmic)	220329	120926 ³	220327
		40 CE ⁴	220325				120925
	Machine	40	120979 220404 (ohmic)				120925
		40 CE ⁴	220325 220404 (ohmic)				

³Consumable available in bulk packaging. See order information below.

⁴CE Shield for use in countries requiring CE,CCC,GOST marks.

Consumable bulk kits

Order quantity	25	25	25	25	10	10
Bulk kit part number	228437	228440	228441	228438	228439	228601
Contents	120926 electrode	120931 nozzle	120932 nozzle	120927 nozzle	120929 shield	120930 shield



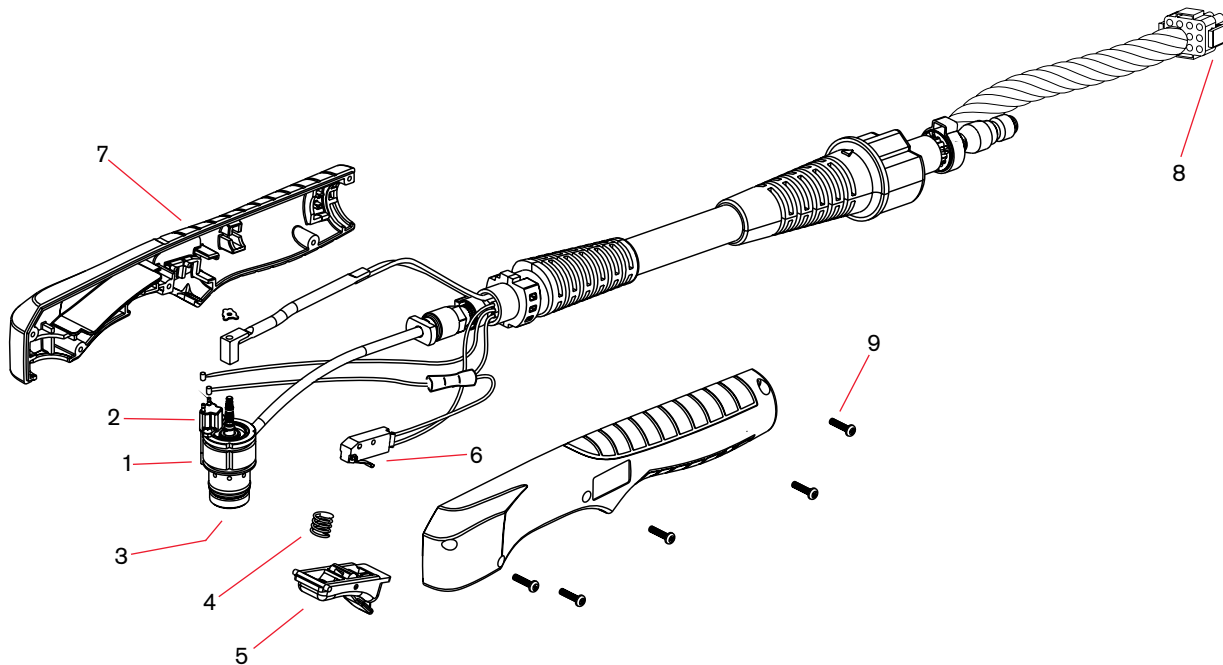
T80 hand torch parts

For use with the Powermax1250®



T80 hand torch parts

Item	Part number	Description
1	128564	Kit: T60/T80 torch main body replacement (does not include cap sensor)
2	128639	Kit: Cap sensor switch replacement
	075571	Cap-off sensor screw
3	128521	Kit: T60/T80, T60M/T80M torch head repair (does not include head)
4	027254	Trigger spring
5	002244	Safety trigger assembly
6	128642	Kit: T60/T80 start switch replacement
7	128644	Kit: T60/T80 torch handle replacement
8	128638	Kit: ETR connector repair (regional repair centers only)
	123106	Work lead with clamp, 6.1 m (20')
	128718	Work lead with clamp, 15.2 m (50')
9	075714	Torch handle replacement screw, requires 5



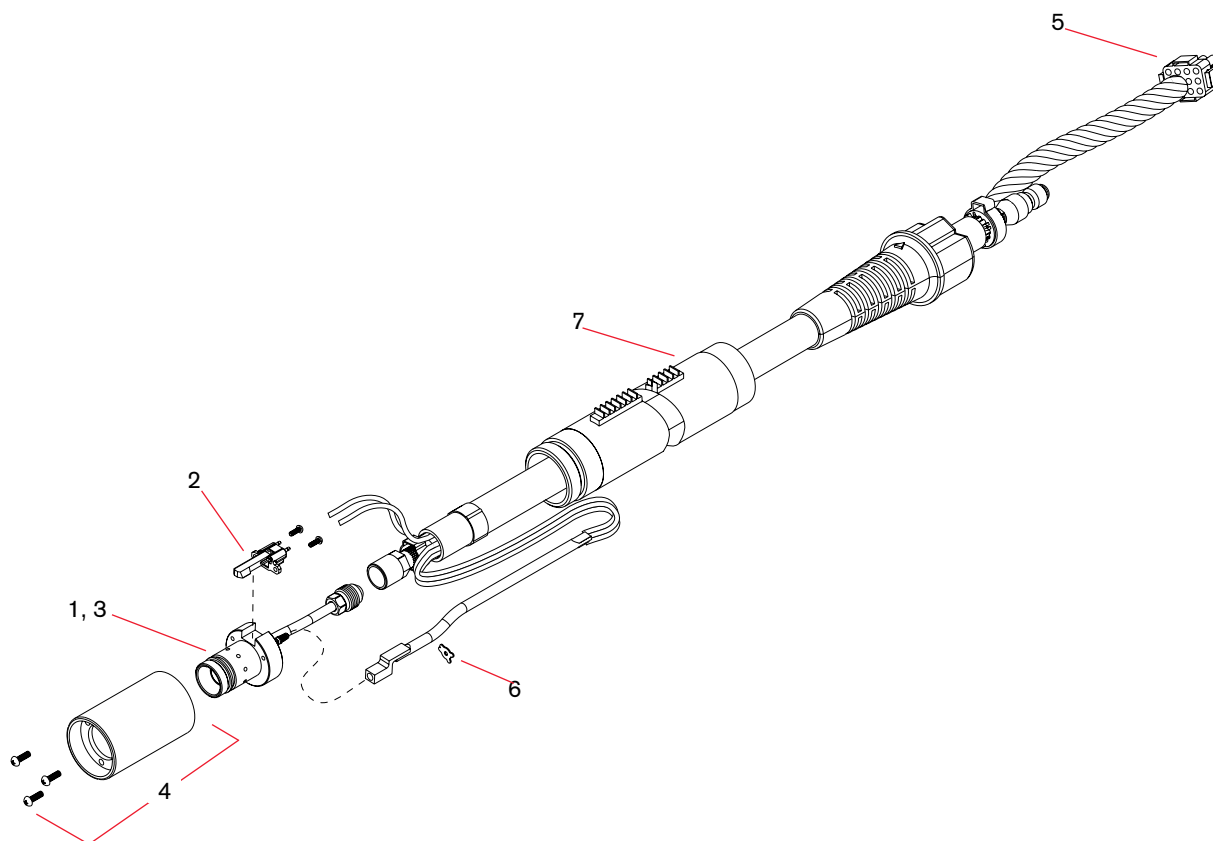
T80M machine torch parts

For use with the Powermax1250®



T80M machine torch parts

Item	Part number	Description
	128645	Kit: Torch mounting
1	128640	Kit: T60M/T80M torch main body replacement (does not include cap sensor)
2	128639	Kit: Cap sensor switch replacement
	075571	Cap-off sensor screw
3	128521	Kit: T60/T80, T60M/T80M torch head repair (does not include head)
4	128643	Kit: T60M/T80M mounting sleeve replacement
5	128638	Kit: ETR connector repair (regional repair centers only)
6	027889	Retaining clip
7	128710	Kit: T60/T80M positioning sleeve replacement
	128650	On/Off pendant for machine torch, 7.6 m (25')
	128651	On/Off pendant for machine torch, 15.2 m (50')
	128652	On/Off pendant for machine torch, 22.8 m (75')
	123106	Work lead with clamp, 6.1 m (20')
	128145	Work lead with clamp, 15.2 m (50')
	128718	Work lead with clamp, 15.2 m (50')

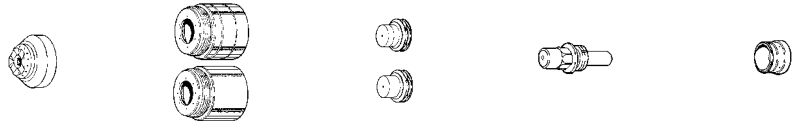


Powermax1100®

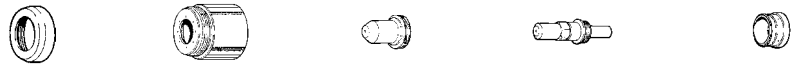
PAC135T/PAC135M hand/machine torch consumables

PAC135T hand torch and PAC135M torch assemblies for this system are no longer available. RT80 retrofit torches with new consumables are available for this system (see page 140).

Original consumables for the PAC torches remain available with exceptions notated below.

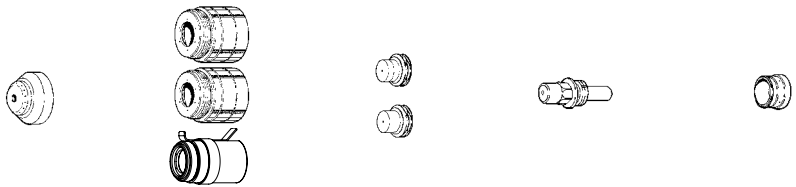


Minimum order quantity			1	1	5	5	1
Consumable type	Torch type	Amperage	Shield/Deflector	Retaining cap	Nozzle	Electrode	Swirl ring
Shielded	Hand	40	120475	120520	120515	120473	120474
		80		120483	120476		



Minimum order quantity			1	1	5	5	1
Consumable type	Torch type	Amperage	Shield/Deflector	Retaining cap	Nozzle	Electrode	Swirl ring
Extended ¹	Hand/Machine	80	120519	120483	120518	120517	120474

¹In countries following CE standards, unshielded consumables may only be used in mechanized torch applications.



Minimum order quantity			1	1	5	5	1
Consumable type	Torch type	Amperage	Shield/Deflector	Retaining cap	Nozzle	Electrode	Swirl ring
Mechanized	Machine	40	120516	120520	120515	120473	120474
		80		120968 (ohmic)	120483		
				120968 (ohmic)			



Minimum order quantity			1	1	5	5	1
Consumable type	Torch type	Amperage	Shield/Deflector	Retaining cap	Nozzle	Electrode	Swirl ring
Gouging	Hand/Machine	80	120510	120483	120509	120473	120474

Selected consumables are no longer available.
System or torch upgrade is recommended.
See pages 4-5 for systems and torches by amperage.



PAC135T hand torch parts

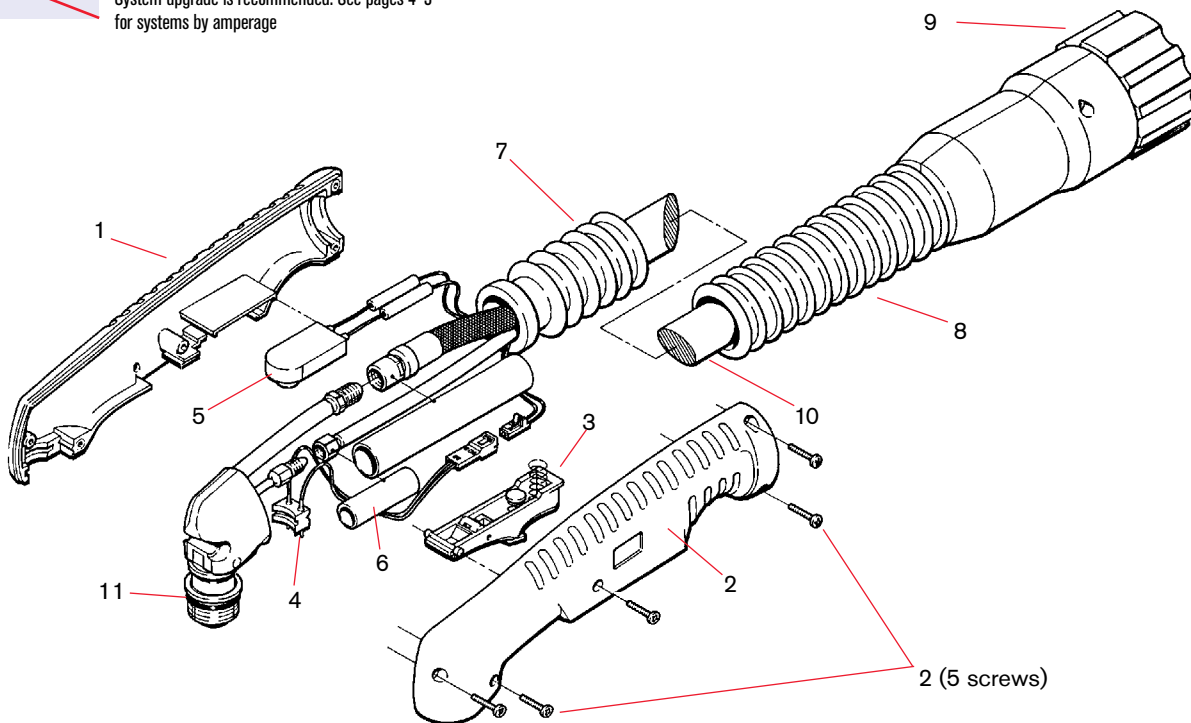


All service parts appearing on this page without a red line are now subject to manufacturer availability and will be priced upon request.

PAC135T hand torch parts

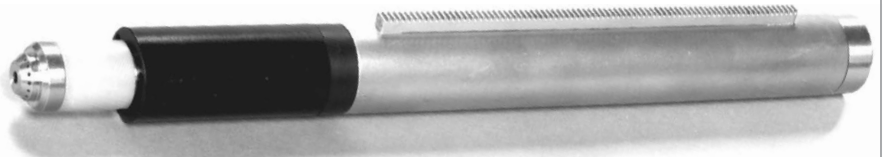
Item	Part number	Description
1	001615	Handle (includes both halves)
2	075497	Screws, #6 x 5/8", phillips head, pan head (five required)
3	128409	Safety trigger upgrade assembly
4	005212	Switch assembly, cap-on sensor
5	005247	Push button switch
6	046072	Heatsrink: 1/2" ID
7	001616	Torch boot
8	002277	Quick disconnect boot
9	128122	Plug assembly: Torch quick disconnect
10	129559	Torch lead, 7.6 m (25')
10	129560	Torch lead, 15.2 m (50')
11	026020	O-ring, silicon
	128145	Work lead with clamp, 15.2 m (50')

Selected torches and repair parts are no longer available. System upgrade is recommended. See pages 4-5 for systems by amperage



PAC135M machine torch parts

For use with the Powermax1100®

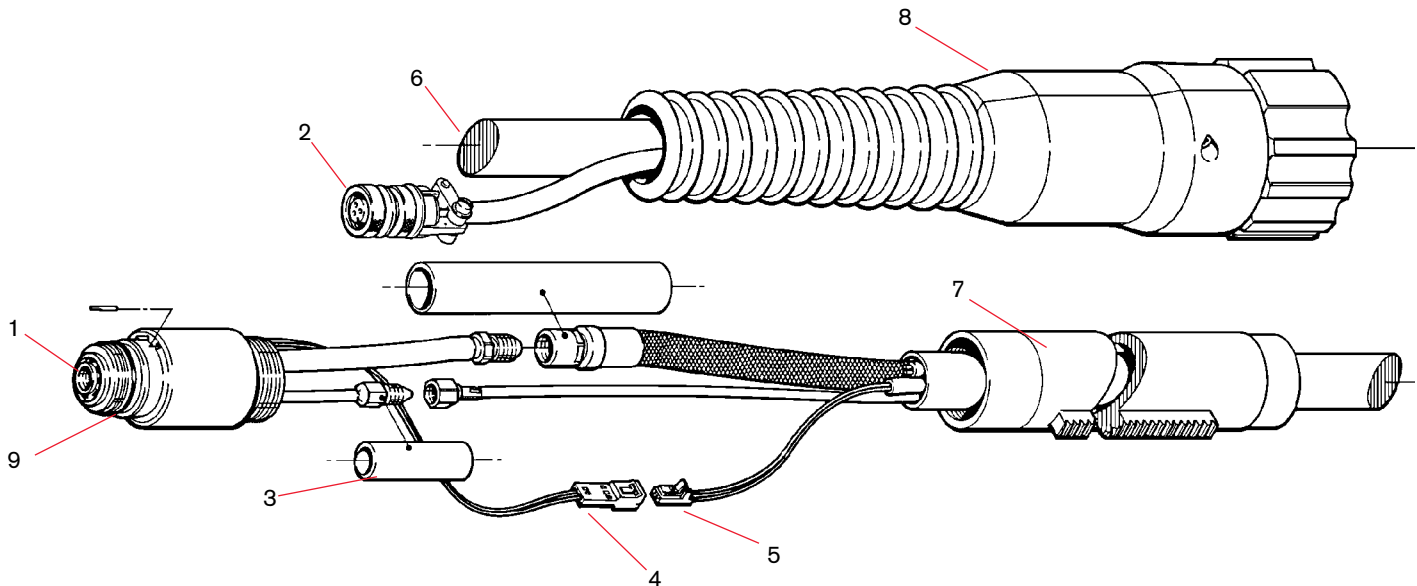


All service parts appearing on this page without a red line are now subject to manufacturer availability and will be priced upon request.

PAC135M machine torch parts

Item	Part number	Description
1	108040	Contact: Cap-on sensor switch
2	008268	Plug: 3-socket female
3	046072	Heatshrink: 1/2" ID
4	108035	Pin housing: 2-position 26-22 AWG
5	108034	Receptacle housing: 2-position 26-22 AWG
6	046056	Tubing: 5/8" ID
7	020243	Sleeve, torch position
8	128122	Plug assembly: Torch quick disconnect
9	026020	O-ring, silicon
	028714	On/Off pendant, 7.6 m (25')
	128061	On/Off pendant, 15.2 m (50')
	128062	On/Off pendant, 22.8 m (75')
	128145	Work lead with clamp, 15.2 m (50')

Selected torches and repair parts are no longer available. System upgrade is recommended. See pages 4-5 for systems by amperage

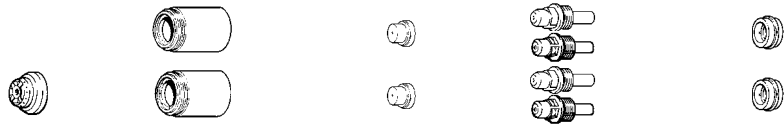




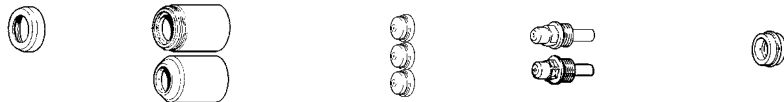
MAX70/MAX100®

PAC130 hand torch and MAX70/100 machine torch consumables

Original consumables for the PAC and MAX torches remain available with exceptions notated below.



Minimum order quantity		1		1		5		5		1	
Consumable type	Torch type	Amperage	Shield/Deflector	Retaining cap	Nozzle	Electrode	Swirl ring				
Shielded	Hand	40	020335	020490	020396	120433 (Air) or 020193 (Nitrogen)	020194				
		70		020336	020397						
		80									
		100									



Minimum order quantity		1		1		5		5		1	
Consumable type	Torch type	Amperage	Deflector/ Retaining cap ²	Retaining cap	Nozzle	Electrode	Swirl ring				
Unshielded ¹	Hand/Machine	40	020333 / 020336	020184	020203	120433 (Air) or 020193 (Nitrogen)	020194				
		70		020345							
		80		020345							
		100		020195							

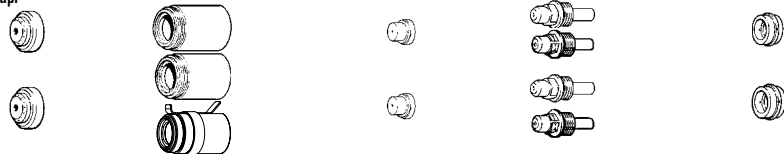
¹In countries following CE standards, unshielded consumables may only be used in mechanized torch applications.

²Non-shielded cutting may use a retaining cap or a combination deflector/retaining cap.



Minimum order quantity		1		1		5		5		1	
Consumable type	Torch type	Amperage	Deflector/ Retaining cap ²	Retaining cap	Nozzle	Electrode	Swirl ring				
Extended - Air Extended - Nitrogen	Hand/Machine - Extended	70-80	020333 / 020336	020184	020563	120444 020866	020194				

²Non-shielded cutting may use a retaining cap or a combination deflector/retaining cap.



Minimum order quantity		1		1		5		5		1	
Consumable type	Torch type	Amperage	Shield/Deflector	Retaining cap	Nozzle	Electrode	Swirl ring				
Mechanized	Machine	40	020492	020490	020396	120433 (Air) or 020193 (Nitrogen)	020194				
		70	020334	020336	020397						
		80		120966 (ohmic)							
		100									



Minimum order quantity		1		1		5		5		1	
Consumable type	Torch type	Amperage	Shield	Retaining cap	Nozzle	Electrode	Swirl ring				
Gouging	Hand/Machine	70	020712	020336	020878	020744	020194				
		100			120459						

Selected consumables are no longer available. System upgrade is recommended. See pages 4-5 for systems and torches by amperage.



PAC130 hand torch parts

For use with the MAX70/MAX100®



All service parts appearing on this page without a red line are now subject to manufacturer availability and will be priced upon request.


PAC130 hand torch parts with quick disconnects

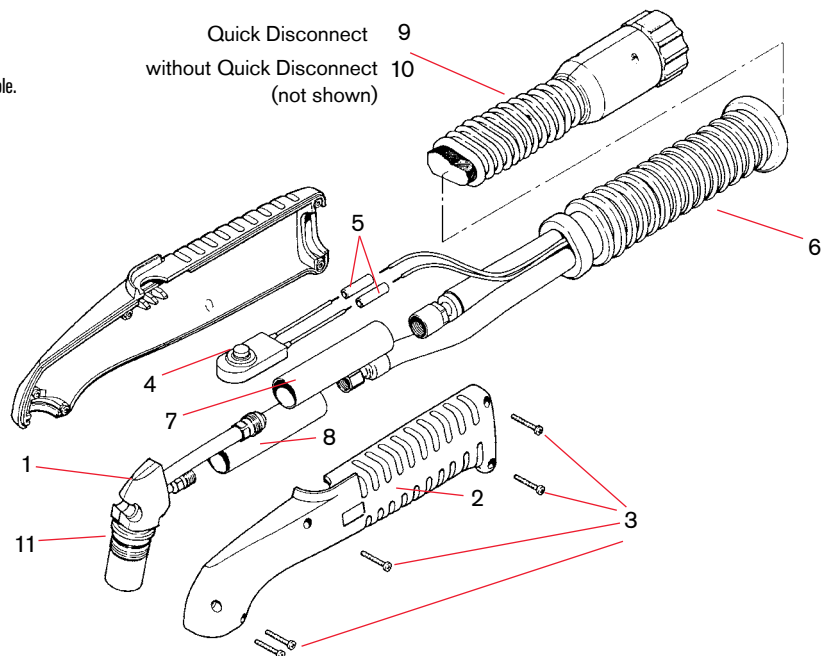
Item	Part number	Description
	059093	Torch assembly with QD 7.6 m (25')
	059094	Torch assembly with QD 15.2 m (50')
	059095	Torch assembly with QD 22.8 m (75')

PAC130 hand torch parts without quick disconnects

Item	Part number	Description
	059076	Torch assembly without QD 7.6 m (25')
	059077	Torch assembly without QD 15.2 m (50')
	059079	Torch assembly without QD 22.8 m (75')
10	029198	Leads, hand torch without QD 7.6 m (25')
10	029199	Leads, hand torch without QD 15.2 m (50')
10	029229	Leads, hand torch without QD 22.8 m (75')
1	020461	Torch main body
2	001214	Handle (both halves included)
3	075365	Screw, #6 x 3/4" (five required)
4	005094	Switch, pushbutton, torch
5	074069	Splice, butt, insulated (two required)
6	001217	Boot
7	024249	Negative lead insulator, 11/16 x 3 1/2"
8	020536	Pilot arc lead insulator, 9/16 x 2 1/2"
9	029667	Leads, hand torch with QD 7.6 m (25')
9	029668	Leads, hand torch with QD 15.2 m (50')
9	029669	Leads, hand torch with QD 22.8 m (75')
11	026018	O-ring, Silico
	023682	MAX70 work lead with clamp, 4.5 m (15')
	023209	MAX100 work lead with clamp, 7.6 m (25')

*Assembly includes consumables.

 Selected torches and repair parts are no longer available. System upgrade is recommended. See pages 4-5 for systems by amperage



MAX70/MAX100 machine torch parts

For use with the MAX70/MAX100®

All service parts appearing on this page without a red line are now subject to manufacturer availability and will be priced upon request.

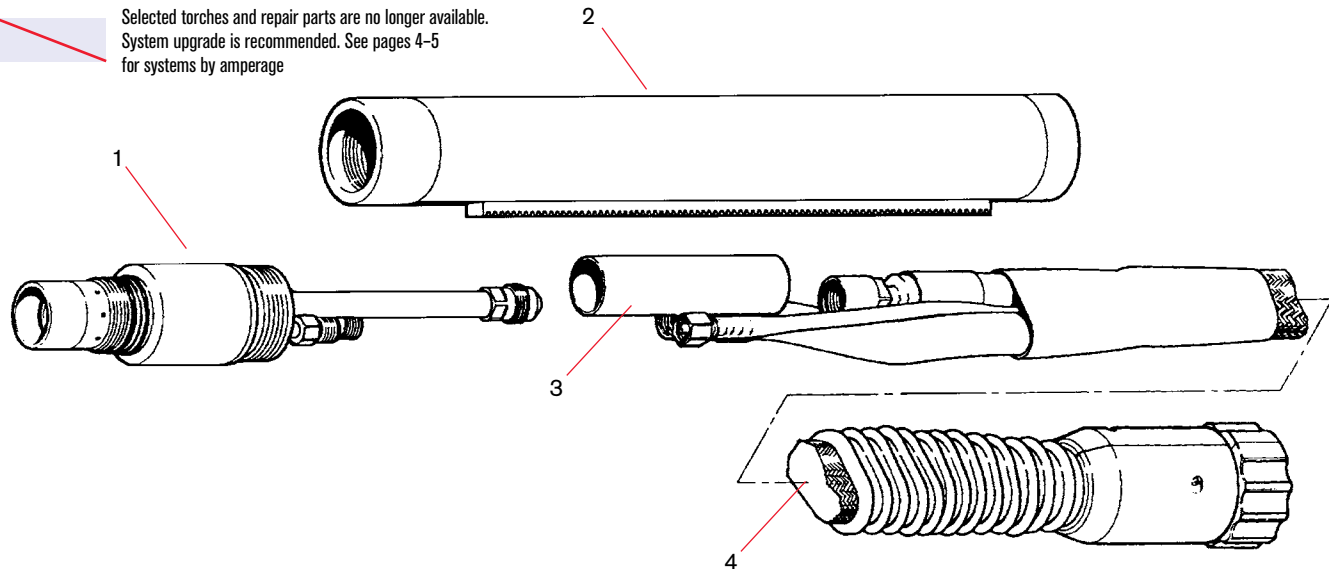
MAX70/MAX100 machine torch parts with quick disconnects

Item	Part number	Description
	059096	MAX100 torch assembly with QD 7.6 m (25')
	059238	MAX100 torch assembly with QD with 216 mm (8.5") torch sleeve 7.6 m (25')
	059167	MAX100 International torch assembly with QD 10.7 m (35')
	059239	MAX100 torch assembly with QD with 216 mm (8.5") torch sleeve 10.7 m (35')
	059097	MAX100 torch assembly with QD 15.2 m (50')
	059240	MAX100 torch assembly with QD with 216 mm (8.5") torch sleeve 15.2 m (50')
	059098	MAX100 torch assembly with QD 22.8 m (75')
4	028524	Machine torch leads with QD 7.6 m (25')
4	028527	Machine torch leads with QD 10.7 m (35')
4	028525	Machine torch leads with QD 15.2 m (50')
4	028526	Machine torch leads with QD 22.8 m (75')

MAX70/MAX100 machine torch parts with quick disconnects

Item	Part number	Description
4	028326	Machine torch leads without QD 7.6 m (25') (not shown)
4	028330	Machine torch leads without QD 10.7 m (35') (not shown)
4	028327	Machine torch leads without QD 15.2 m (50') (not shown)
4	028335	Machine torch leads without QD 22.8 m (75') (not shown)
1	020201	Torch main body, 180°
2	020243	Torch position sleeve, 260.35 mm (10 1/4")
2	020270	Torch position sleeve, 457.2 mm (18")
3	024173	Pilot arc lead insulator, 9/1. x 2 11/2"
	023682	MAX70 work lead with clamp, 4.5 m (15')
	023209	MAX100 work lead with clamp, 7.6 m (25')
	028907	Work lead with clamp, 15.2 m (50')

Selected torches and repair parts are no longer available. System upgrade is recommended. See pages 4-5 for systems by amperage





Powermax1650®

T100/T100M/T100M-2 torch consumables

T100 torches with 7.6 m (25') and 15.2 m (50') leads are obsolete.
A Duramax® retrofit torch with new consumables is available for this system (see page 128).



Original consumables for the T100 torches remain available and are listed below.



Minimum order quantity			1	1	5	5	1
Consumable type	Torch type	Amperage	Shield/Deflector ¹	Retaining cap	Nozzle	Electrode	Swirl ring
Shielded	Hand	40	120929 ¹	120928	120932 ¹	120926 ³	120925
		60			120931 ¹		
		80			120927 ¹		
		100	220065 ¹	220048	220011 ¹	220037 ¹	220051

¹Consumable available in bulk packaging. See order information on next page.



Minimum order quantity			1	1	5	5	1
Consumable type	Torch type	Amperage	Shield/Deflector	Retaining cap	Nozzle ²	Electrode ²	Swirl ring
Unshielded ³	Hand/Machine	40	120979	120928	220006	120926 ¹	120925
		60			220007		
		80			120980		
		100	220048	220064	220037 ¹	220051	

¹Consumable available in bulk packaging. See order information on next page.

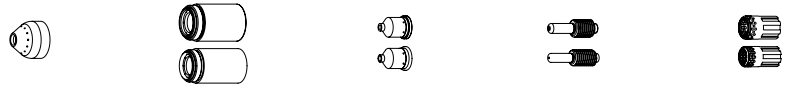
²In countries following CE standards, unshielded consumables may only be used in mechanized torch applications.

³CE shield for use in countries requiring CE, CCC, GOST marks.



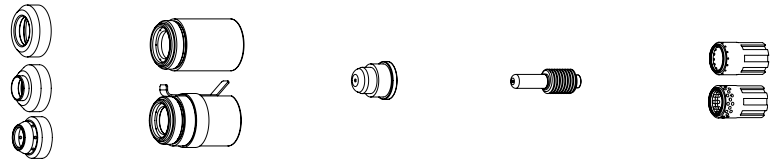
Minimum order quantity			1	1	5	5	1
Consumable type	Torch type	Amperage	Shield/Deflector	Retaining cap	Nozzle	Electrode	Swirl ring
Mechanized	Machine	40	120930 ¹	120928 220061 (ohmic)	120932 ¹	120926	120925
		60			120931 ¹		
		80			120927 ¹		
		100	220047 ¹	220048 220206 (ohmic)	220011 ¹	220037 ¹	220051

¹Consumable available in bulk packaging. See order information on next page.



Minimum order quantity		1	1	5	5	1	
Consumable type	Torch type	Amperage	Shield/Deflector	Retaining cap	Nozzle	Electrode	Swirl ring
Gouging	Hand/Machine	60-80	120977	120928	220059	120926 ¹	120925
		100		220048	220063	220037 ¹	220051

¹Consumable available in bulk packaging. See order information below.



Minimum order quantity		1	1	5	5	1	
Consumable type	Torch type	Amperage	Shield/Deflector	Retaining cap	Nozzle	Electrode	Swirl ring
FineCut®	Hand	40	120979	120928 220061 (ohmic)	220329	120926 ¹	220327
		40 CE ²	220325				
	Machine	40	120979 220404 (ohmic)				120925
		40 CE ²	220325 220404 (ohmic)				

¹Consumable available in bulk packaging. See order information below.

²CE Shield for use in countries requiring CE,CCC,GOST marks.

Consumable bulk kits

Order quantity	25	25	25	25	25	25	10	10	10	10
Bulk kit part number	228437	228443	228440	228442	228441	228438	228439	228601	228600	228444
Contents	120926 electrode	220037 electrode	120931 nozzle	220011 nozzle	120932 nozzle	120927 nozzle	120929 shield	120930 shield	220047 shield	220065 shield



T100 hand torch parts

For use with the Powermax1650®


This torch is also compatible with the Powermax1250 and Powermax1000.

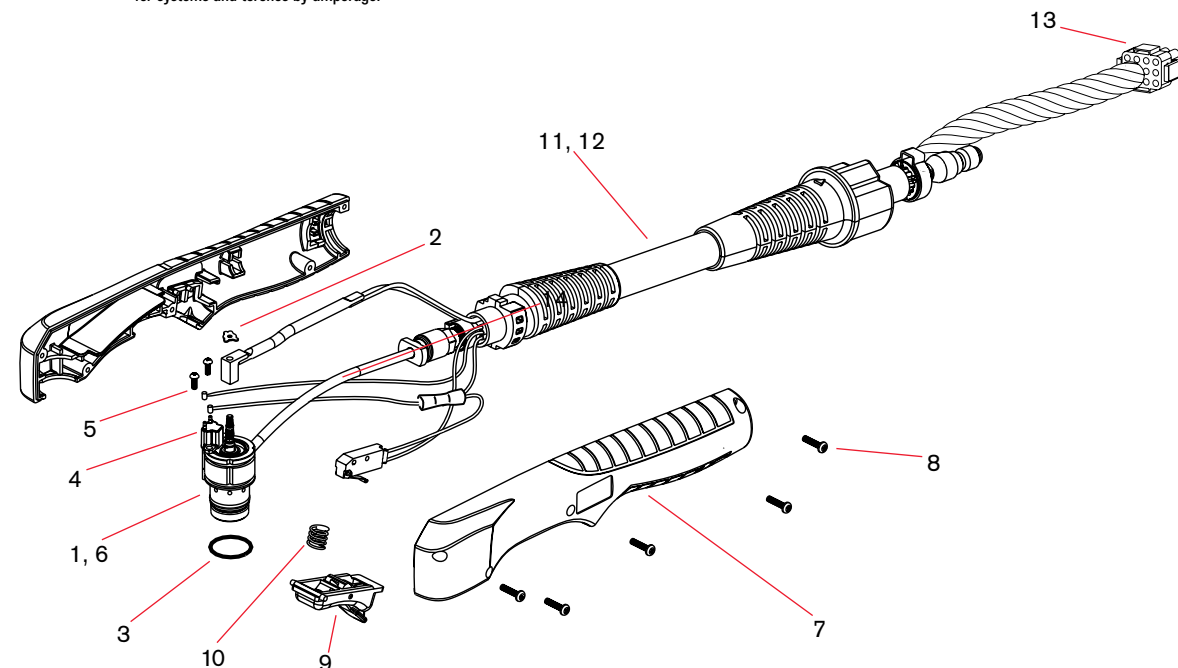


T100 hand torch parts

Item	Part number	Description
	059498	T100 hand torch assembly with 7.6 m (25') leads
1	128767	Kit: T100 torch main body replacement (does not include cap sensor)
2	027889	Retaining clip
3	058519	O-ring
4	128639	Kit: Cap-off sensor replacement
5	075571	Cap-off sensor screw
6	128768	Kit: T100/T100M torch head repair (does not include head)
7	128644	Kit: T100 torch handle replacement
8	075714	Handle screws
9	002244	Safety trigger
10	027254	Trigger spring
11	128755	Kit: T100 lead replacement, 7.6 m (25')
12	128752	Kit: T100 lead replacement, 15.2 m (50')
13	128772	Kit: ETR connector repair (regional repair centers only)
14	128642	Kit: Start switch replacement
	123654	Work lead with clamp, 6.1 m (20')
	123655	Work lead with clamp, 15.2 m (50')

*Assembly includes consumables.

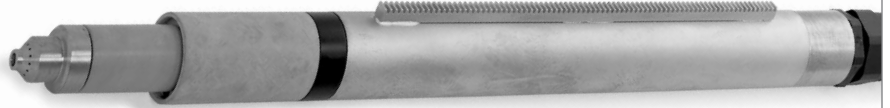
 Selected torches and repair parts are no longer available. System or torch upgrade is recommended. See pages 4-5 for systems and torches by amperage.



T100M machine torch parts

For use with the Powermax1650®

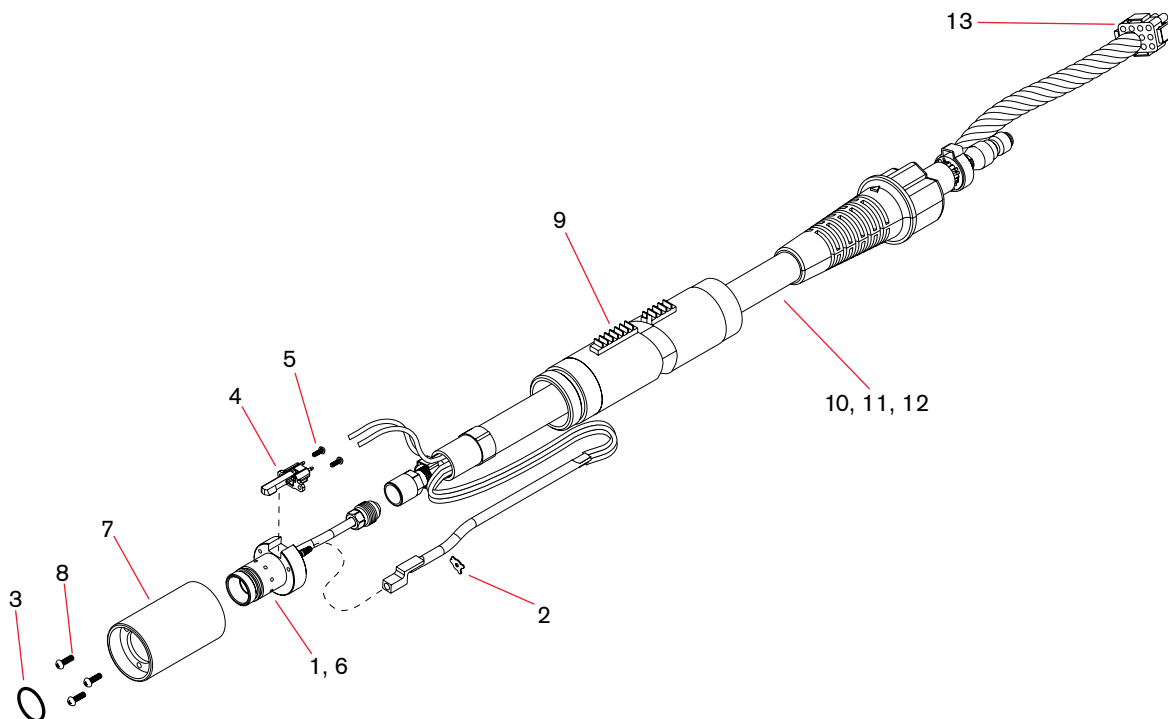
This torch is also compatible for the Powermax1250 and Powermax1000.



T100M machine torch parts

Item	Part number	Description
	059309*	Test torch with 1.8 m (6') leads
1	128754	Kit: T100M torch main body replacement (does not include cap sensor)
2	027889	Retaining clip
3	058519	O-ring
4	128639	Kit: Cap sensor switch replacement
5	075571	Cap-off sensor screw
6	128768	Kit: T100/T100M torch head repair (does not include head)
7	128643	Kit: T100M mounting sleeve replacement
8	075004	Torch mounting screw
9	128710	Torch positioning sleeve
10	128753	Kit: T100/T100M lead replacement, 7.6 m (25')
11	128751	Kit: T100/T100M lead replacement, 10.7 m (35')
12	128759	Kit: T100/T100M lead replacement, 15.2 m (50')
13	128772	Kit: ETR connector repair (regional repair centers only)
	128645	Kit: Torch mounting (for reassembly after installation)
	128650	On/Off pendant for machine torch, 7.6 m (25')
	128651	On/Off pendant for machine torch, 15.2 m (50')
	128652	On/Off pendant for machine torch, 22.8 m (75')
	123654	Work lead with clamp, 6.1 m (20')
	123655	Work lead with clamp, 15.2 m (50')

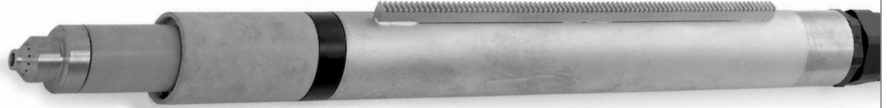
*Assembly includes consumables.



T100M-2 machine torch parts

For use with the Powermax1650®


This torch is also compatible for the Powermax1250 and Powermax1000.

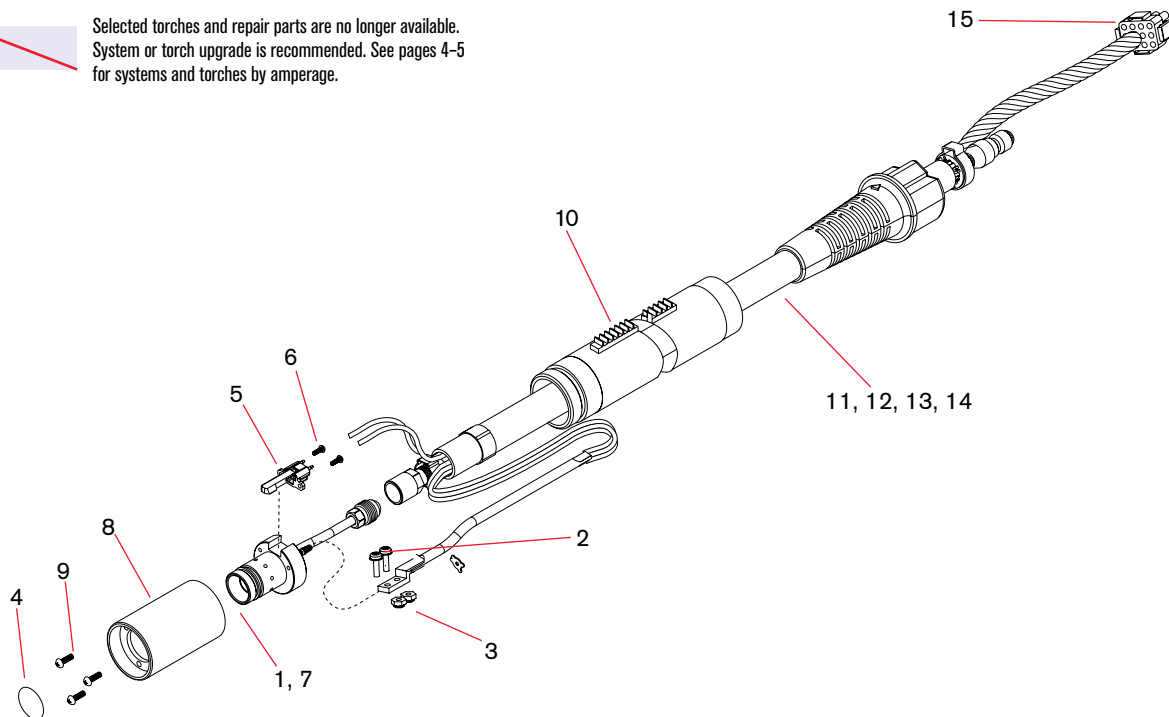


T100M-2 machine torch parts

Item	Part number	Description
	059501*	T100M-2 machine torch assembly with 7.6 m (25') leads
	059502*	T100M-2 machine torch assembly with 10.7 m (35') leads
	059503*	T100M-2 machine torch assembly with 15.2 m (50') leads
	059504*	T100M-2 machine torch assembly with 22.8 m (75') leads
1	228523	Kit: T100M-2 torch main body replacement (does not include cap sensor)
2	075473	Machine screws
3	075503	Lock nuts
4	058519	O-ring
5	128639	Kit: Cap-off sensor replacement
6	075571	Cap-off sensor screw
7	228522	Kit: T100M-2 torch head repair
8	128643	Kit: Torch mounting sleeve replacement
9	075004	Torch mounting screw
10	128710	Torch positioning sleeve
11	228222	Kit: T100M-2 lead replacement, 7.6 m (25')
12	228223	Kit: T100M-2 lead replacement, 10.7 m (35')
13	228224	Kit: T100M-2 lead replacement, 15.2 m (50')
14	228225	Kit: T100M-2 lead replacement, 22.8 m (75')
15	128772	Kit: ETR connector repair (regional repair centers only)
	128645	Kit: Torch mounting (for reassembly after installation)

*Assembly includes consumables.

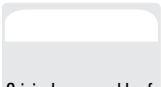
 Selected torches and repair parts are no longer available. System or torch upgrade is recommended. See pages 4-5 for systems and torches by amperage.





MAX100D®

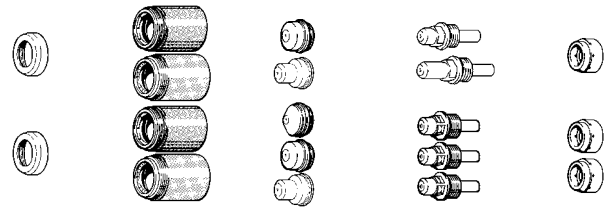
PAC160/E hand torch and MAX100D machine torch consumables



Original consumables for the PAC160/E and MAX100D remain available with exceptions notated below.



Minimum order quantity					1	1	5	5	1
Consumable type	Torch type	Amperage	Plasma gas	Shield gas	Shield/Deflector	Retaining cap	Nozzle	Electrode	Swirl ring
Shielded – Mild steel/ stainless steel/aluminum	Hand	60	Nitrogen (N ₂)	Air	020335	020756	120336	020193	020706
		60		Carbon dioxide (CO ₂)		020756	120336		
		100		Air		020846	020705		
		100		Carbon dioxide (CO ₂)		020846	020705		
Shielded – Mild steel/ aluminum	Hand	60	Air	Air	020335	020756	120336	120433	020706
		100				020846	020705		
Shielded – stainless steel/ aluminum	Hand	100	H-35	Nitrogen (N ₂)	020335	020846	020705	020193	020706
Shielded – stainless steel	Hand	100	H35-Nitrogen (N ₂)	Nitrogen (N ₂)	020335	020846	020705	020193	020706
Shielded – aluminum	Hand	100	H-35	Air	020335	020846	020705	020193	020706



Minimum order quantity					1	1	5	5	1
Consumable type	Torch type	Amperage	Plasma gas	Shield gas	Shield/Deflector	Retaining cap	Nozzle	Electrode	Swirl ring
Unshielded'/Extended – Mild steel/aluminum	Hand/ Machine	60	Air	Air	020333	020756	020922	120433	020706
		100				020846	020754	120444	
Unshielded'/Extended – stainless steel	Hand/ Machine	30-40	Air	Air	020333	020756	020921	020951	020950
		60	Air			020756	020922	020193	020706
		100	Nitrogen (N ₂)			020846	020754	020887	020706


*In countries following CE standards, unshielded consumables may only be used in mechanized torch applications.



Minimum order quantity					1	1	5	5	1
Consumable type	Torch type	Amperage	Plasma gas	Shield gas	Shield/Deflector	Retaining cap	Nozzle	Electrode	Swirl ring
Mechanized – Mild steel/ stainless steel/aluminum	Machine	60	Nitrogen (N ₂)	Air	020334	020756	120336	020193	020706
		60		Carbon dioxide (CO ₂)		020756	120336		
		100		Air		020846	020705		
		100		Carbon dioxide (CO ₂)		020846	020705		
Mechanized – Mild steel/ aluminum	Machine	60	Air	Air	020334	020756	120336	120433	020706
		100				020846	020705		
Mechanized – stainless steel/ aluminum	Machine	100	H-35	Nitrogen (N ₂)	020334	020846	020705	020193	020706
Mechanized – stainless steel	Machine	100	H35-Nitrogen (N ₂)	Nitrogen (N ₂)	020334	020846	020705	020193	020706
Mechanized – aluminum	Machine	100	H-35	Air	020334	020846	020705	020193	020706



Minimum order quantity					1	1	5	5	1
Consumable type	Torch type	Amperage	Plasma gas	Shield gas	Shield/Deflector	Retaining cap	Nozzle	Electrode	Swirl ring
Gouging – Mild steel/ stainless steel/aluminum	Hand/Machine	100	H-35	Air	020712	020699	020704	020703	020750
Gouging – stainless steel/ aluminum			H-35	Nitrogen (N ₂)	020712	020699	020704	020703	020750
Gouging – Mild steel			Air	Air	020712	020699	020745	020744	020750

 Selected consumables are no longer available.
System or torch upgrade is recommended.
See pages 4-5 for systems and torches by amperage.



PAC160/E hand torch parts

For use with the MAX100D®

All service parts appearing on this page without a red line are now subject to manufacturer availability and will be priced upon request.




PAC160E gouging torch

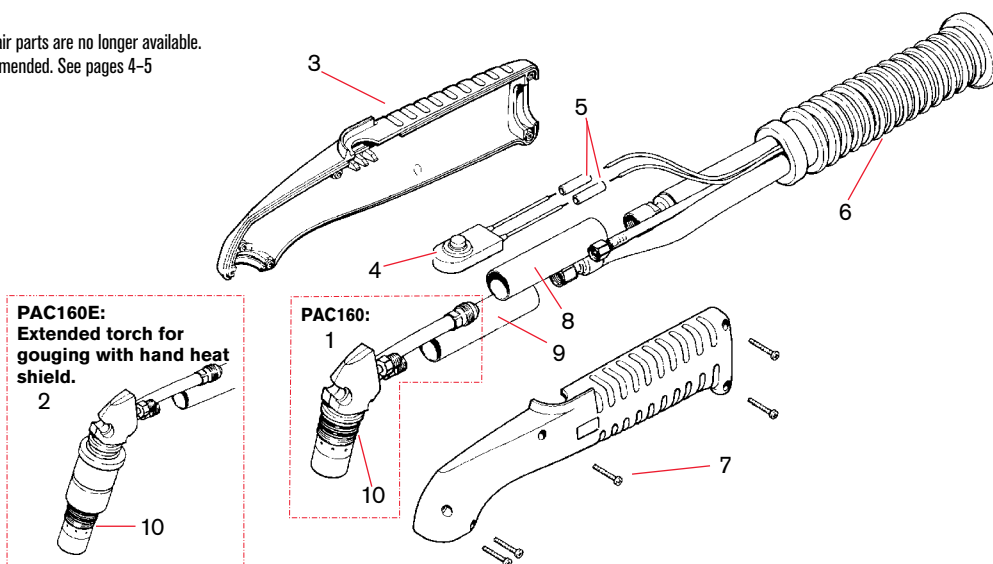
PAC160 hand torch

PAC160/E hand torch parts

Item	Part number	Description
	020711	Hand heat shield (shown at left) – for PAC160E gouging torch only
1	020761	PAC160 torch main-body
2	020693	PAC160E torch main-body
3	001214	Handle, MAX100D, hand torch (both halves included)
4	005094	Switch, pushbutton, torch
5	074069	Splice, butt, insulated (two required)
6	001217	Boot, MAX100D torch
7	075365	Screw, #6 x 3/4" (five required)
8	020468	Negative lead insulator, 11/16 x 3/2"
9	020536	Pilot arc lead insulator, 9/16 x 2 1/2"
10	058019	O-ring: Viton .801 x .071 (two required)
	059124	PAC160 hand torch assembly with 7.6 m (25') leads
	059125	PAC160 hand torch assembly with 15.2 m (50') leads
	059126	PAC160 hand torch assembly with 22.8 m (75') leads
	059112	PAC160E hand torch assembly with 7.6 m (25') leads
	059113	PAC160E hand torch assembly with 15.2 m (50') leads
	059114	PAC160E hand torch assembly with 22.8 m (75') leads
	029730	MAX100D lead replacement with 7.6 m (25') leads
	029731	MAX100D lead replacement with 15.2 m (50') leads
	029732	MAX100D lead replacement with 22.8 m (75') leads
	028558	MAX100D quick disconnect assembly
	023209	Work lead with clamp, 7.6 m (25')

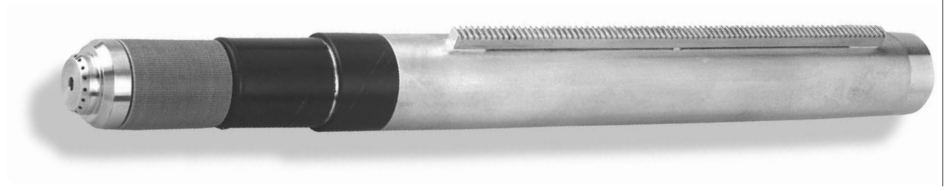
*Assembly includes consumables.

 Selected torches and repair parts are no longer available. System upgrade is recommended. See pages 4-5 for systems by amperage



MAX100D machine torch parts

For use with the MAX100D®




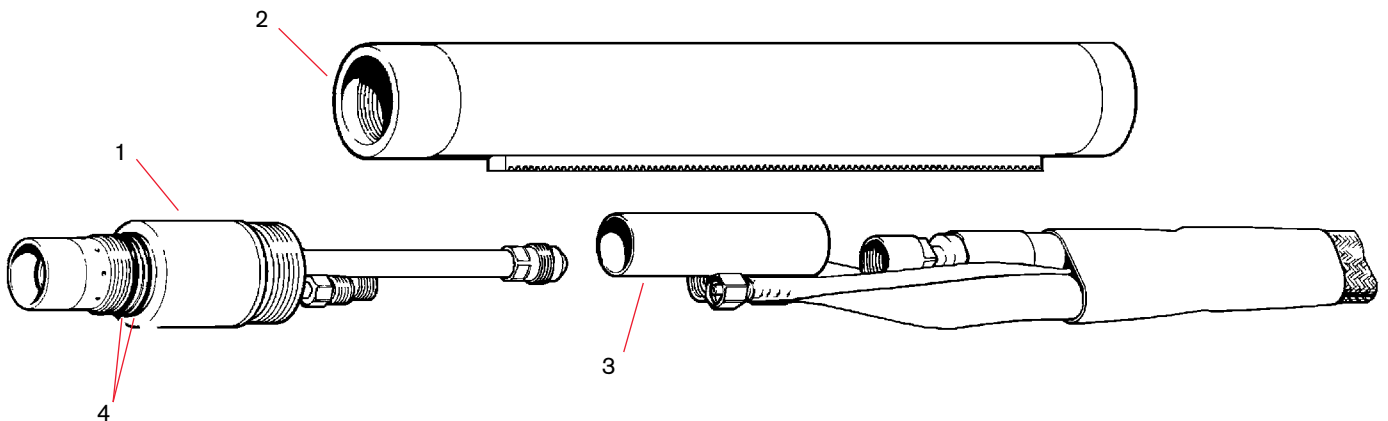
All service parts appearing on this page without a red line are now subject to manufacturer availability and will be priced upon request.

MAX100D machine torch parts

Item	Part number	Description
	028596	MAX100D machine torch assembly
1	020713	MAX100D machine torch main body
2	020243	MAX100D torch positioning sleeve
3	020468	Negative lead insulator, 11/16 x 3/2"
4	058019	O-ring: Viton .801 x .071 (two required)
	059115	MAX100D machine torch assembly with 7.6 m (25') leads
	059116	MAX100D machine torch assembly with 15.2 m (50') leads
	059117	MAX100D machine torch assembly with 22.8 m (75') leads
	028555	MAX100D machine torch leads, 7.6 m (25')
	028556	MAX100D machine torch leads, 15.2 m (50')
	028557	MAX100D machine torch leads, 22.8 m (75')
	028910	MAX100D quick disconnect assembly
	002190	Boot, 80/100 amp quick disconnect
	023209	Work lead with clamp, 7.6 m (25')

*Assembly includes consumables.

 Selected torches and repair parts are no longer available. System upgrade is recommended. See pages 4-5 for systems by amperage



Duramax® HRT/HRTs/MRT retrofit torch

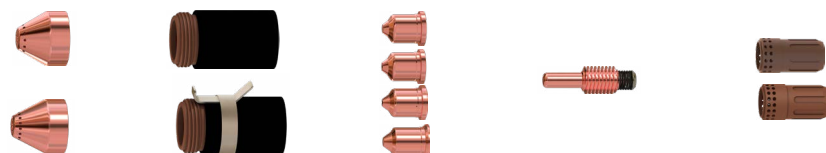
For Powermax1000®/Powermax1250®/Powermax1650®



Minimum order quantity			1	1	5	5	1
Consumable type	Torch type	Amperage	Shield/Deflector	Retaining cap	Nozzle	Electrode	Swirl ring
Drag-cutting	Hand	45	220818 ¹	220854	220941 ¹	220842 ¹ or 220777 ^{1,2}	220857
		65	220818 ¹		220819 ¹		220857
		85	220818 ¹		220816 ¹		220857
		105	220992 ¹		220990 ¹		220994

¹Consumable available in bulk packaging. See order information on next page.

²For longer consumable life when cutting metal 1/2 inch (12 mm) and under, check out the CopperPlus electrode (part number 220777).



Minimum order quantity			1	1	5	5	1
Consumable type	Torch type	Amperage	Shield/Deflector	Retaining cap	Nozzle	Electrode	Swirl ring
Mechanized	Machine	45	220817 ¹	220854 220953 (ohmic)	220941 ¹	220842 ¹ or 220777 ^{1,2}	220857
		65	220817 ¹		220819 ¹		220857
		85	220817 ¹		220816 ¹		220857
		105	220993 ¹		220990 ¹		220994

¹Consumable available in bulk packaging. See order information on next page.

²For longer consumable life when cutting metal 1/2 inch (12 mm) and under, check out the CopperPlus electrode (part number 220777).



Minimum order quantity			1	1	5	5	1
Consumable type	Torch type	Amperage	Shield/Deflector	Retaining cap	Nozzle	Electrode	Swirl ring
Unshielded	Machine	45	220955	220854	220941	220842 ¹	220857
		65			220819		220857
		85			220816		220857
		105			220990		220994

¹Consumable available in bulk packaging. See order information on next page.

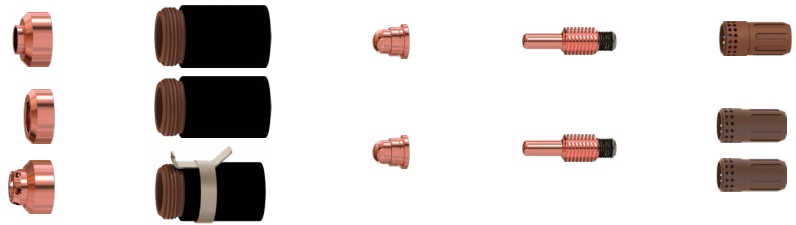


Minimum order quantity		1	1	5	5	1	
Consumable type	Torch type	Amperage	Shield/Deflector	Retaining cap	Nozzle	Electrode	Swirl ring
Max removal gouging ^a	Hand/Machine	45-105	220798	220854	220797 ¹	220842 ¹	220857
		105			220991 ¹		220994
Max control gouging ^a	Hand/Machine	45-105	420480	220854	220797 ¹	220842 ¹	220857
		105			220991 ¹		220994

¹Consumable available in bulk packaging. See order information below.

^aThe max removal gouging shield is designed for aggressive metal removal, a deep gouge profiles and extreme metal washing.

^aThe max control gouging shield is designed for more precise metal removal, a shallower gouge profile and light material washing.



Minimum order quantity		1	1	5	5	1	
Consumable type	Torch type	Amperage	Shield/Deflector	Retaining cap	Nozzle	Electrode	Swirl ring
FineCut [®]	Hand	30-45	220931	220854			220947
	Machine	30-45	220955 220948 (ohmic)	220854 220953 (ohmic)	220930 ¹	220842 ¹	220857

¹Consumable available in bulk packaging. See order information below.



Minimum order quantity		1	1	1	1	
Consumable type	Torch type	Retaining cap	Nozzle	Electrode	Swirl ring	
HyAccess drag-cutting (30-65 A)	Hand	420413	420410	420408	220857	
HyAccess gouging (30-55 A)			420412			
Quantity in kit		1	1	1	2	1
HyAccess kit - 428414 (30-65 A)	Hand	420413	420410 (cutting)	420412 (gouging)	420408	220857
HyAccess cutting only starter pack - 428445 ⁴						
HyAccess gouging only starter pack - 428446 ⁵						

Warning: The Duramax HyAccess (65 amps and below) consumables should not be operated above 65 amps

⁴Starter pack contains 1 retaining cap (420413), 1 cutting nozzle (420410) and 1 electrode (420408)

⁵Starter pack contains 1 retaining cap (420413), 1 gouging nozzle (420412) and 1 electrode (420408)

Duramax[®] consumable bulk kits

Order quantity	25	25	25	25	25	25	25	25	25	10	10	10	10
Bulk kit part number	228934	228767	228760	228759	228761	228762	228765	228797	228796	228798	228799	228763	228764
Contents	220777 electrode	220842 electrode	220816 nozzle	220819 nozzle	220930 nozzle	220797 nozzle	220941 nozzle	220990 nozzle	220991 nozzle	220992 shield	220993 shield	220817 shield	220818 shield



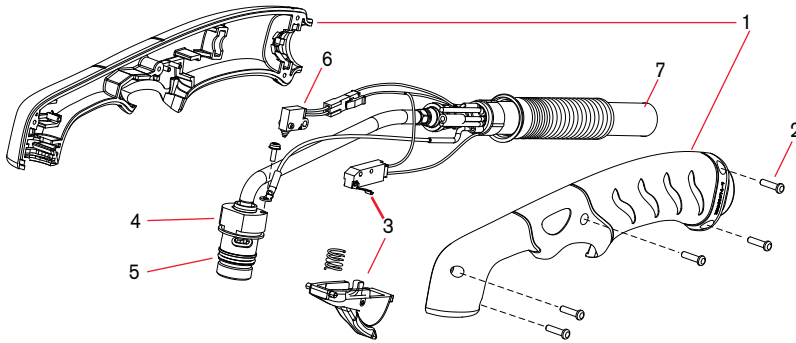
Duramax® HRT/HRTs hand torch parts



Duramax HRT hand torch parts

Item	Part number	Description
	228788	HRT hand torch assembly with 7.6 m (25') lead
	228789	HRT hand Torch Assembly with 15.2 m (50') lead
5	058519	O-ring
	075504	Pilot terminal screw
2	075714 ¹	Handle screws, #4 x 1/2 slotted TORX pan head, S/B
1	228954	Kit: Duramax 75°/ HRT Torch handle replacement
6	228719	Kit: Duramax 75°/HRT Cap-sensor switch replacement
3	228721	Kit: Duramax 15°/Duramax 75°/HRT/HRTs Safety trigger with spring replacement
7	228952 ²	Kit: HRT/HRTs Torch lead replacement, 7.6 m (25'), coupler with 12.7 mm (1/2") threads
	228953 ³	Kit: HRT/HRTs Torch lead replacement, 15.2 m (50'), coupler with 12.7 mm (1/2") threads
4	228792 ¹	Kit: HRT Torch main body replacement, coupler with 9.5 mm (3/8") threads
	228950 ¹	Kit: HRT Torch main body replacement, coupler with 12.7 mm (1/2") threads

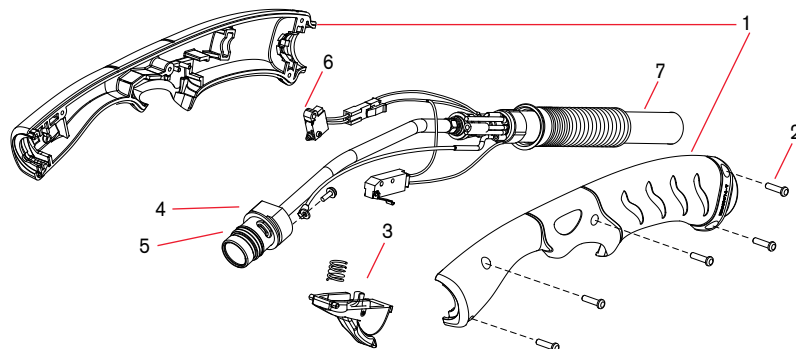
¹Before purchasing this part check the torch built date.



Duramax HRTs hand torch parts

Item	Part number	Description
	228807	HRTs hand torch assembly with 7.6 m (25') lead
5	058519	O-ring
	075504	Pilot terminal screw
2	075714 ¹	Handle screws, #4 x 1/2 slotted TORX pan head, S/B
1	228955	Kit: Duramax 15°/ HRTs Torch handle replacement
6	228109	Kit: Duramax 15°/HRTs Cap-sensor switch replacement
3	228721	Kit: Duramax 15°/Duramax 75°/HRT/HRTs Safety trigger with spring replacement
7	228952 ²	Kit: HRT/HRTs Torch lead replacement, 7.6 m (25'), coupler with 12.7 mm (1/2") threads
	228953 ³	Kit: HRT/HRTs Torch lead replacement, 15.2 m (50'), coupler with 12.7 mm (1/2") threads
4	228951 ¹	Kit: HRTs Torch main body replacement, coupler with 12.7 mm (1/2") threads

¹Before purchasing this part check the torch built date.



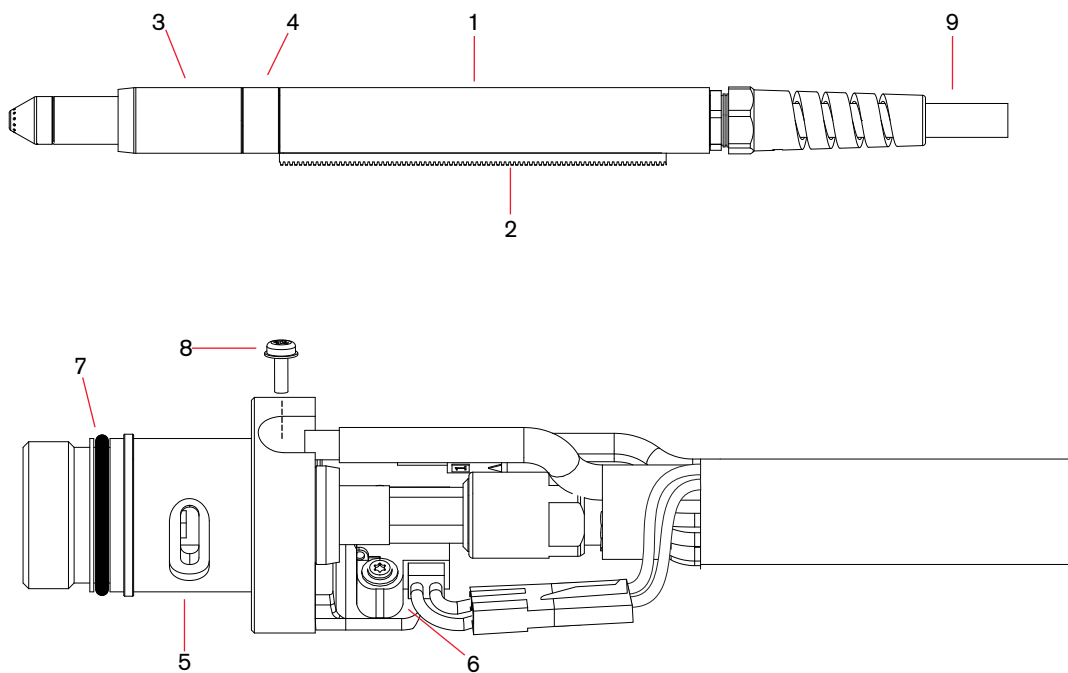
Duramax® MRT machine torch parts



Duramax MRT machine torch parts

Item	Part number	Description
	228790 ¹	MRT machine torch assembly with 7.6 m (25') lead
	228791 ¹	MRT machine torch assembly with 15.2 m (50') lead
1	228737	Kit: M65/M85/MRT positioning sleeve
2	228738	Kit: M65/M85/MRT removable gear rack
3	228735	Kit: M65/M65m/M85/M85m/MRT front mounting sleeve
4	228736	Kit: M65/M65m/M85/M85m/MRT adapter ring (coupler)
5	228793	Kit: MRT torch main body replacement
6	228720	Kit: Cap-sensor switch replacement
7	058519	O-ring
8	075504	Pilot terminal screw
9	228786	Kit: MRT torch lead replacement, 7.6 m (25')
9	228787	Kit: MRT torch lead replacement, 15.2 m (50')
	128650	Remote start pendant for machine torch, 7.6 m (25')
	128651	Remote start pendant for machine torch, 15.2 m (50')
	128772	Kit: ETR connector repair (regional repair centers only)

¹Assembly includes a variety of Duramax consumables.



Duramax® HRT/MRT retrofit torch

For Powermax600®/Powermax800®/Powermax900® and MAX42®/MAX43®



Minimum order quantity		1	1	5	5	1	
Consumable type	Torch type	Amperage	Shield/Deflector	Retaining cap	Nozzle	Electrode	Swirl ring
Drag-cutting	Hand	40-55	220818 ¹	220854	220941 ¹	220842 ¹ or 220777 ²	220857

¹Consumable available in bulk packaging. See order information on next page.

²For longer consumable life when cutting metal 1/2 inch (12 mm) and under, check out the CopperPlus electrode (part number 220777).



Minimum order quantity		1	1	5	5	1	
Consumable type	Torch type	Amperage	Shield/Deflector	Retaining cap	Nozzle	Electrode	Swirl ring
Mechanized	Machine	40-55	220817 ¹	220854 220953 (ohmic)	220941 ¹	220842 ¹ or 220777 ²	220857

¹Consumable available in bulk packaging. See order information on next page.

²For longer consumable life when cutting metal 1/2 inch (12 mm) and under, check out the CopperPlus electrode (part number 220777).



Minimum order quantity		1	1	5	5	1	
Consumable type	Torch type	Amperage	Shield/Deflector	Retaining cap	Nozzle	Electrode	Swirl ring
Unshielded	Machine	40-55	220955	220854	220941 ¹	220842 ¹	220857

¹Consumable available in bulk packaging. See order information on next page.



Minimum order quantity		1	1	5	5	1	
Consumable type	Torch type	Amperage	Shield/Deflector	Retaining cap	Nozzle	Electrode	Swirl ring
Max removal gouging ³	Hand/Machine	45-65	220798	220854	220797 ¹	220842 ¹	220857
Max control gouging ⁴	Hand/Machine	45-65	420480	220854	220797 ¹		220857

¹Consumable available in bulk packaging. See order information on next page.

³The max removal gouging shield is designed for aggressive metal removal, a deep gouge profiles and extreme metal washing.

⁴The max control gouging shield is designed for more precise metal removal, a shallower gouge profile and light material washing.



Minimum order quantity		1	1	5	5	1	
Consumable type	Torch type	Amperage	Shield/Deflector	Retaining cap	Nozzle	Electrode	Swirl ring
FineCut®	Hand	30-45	220931	220854	220930 ¹	220842 ¹	220947
	Machine		220955	220854			220857
			220948 (ohmic)	220953 (ohmic)			

¹Consumable available in bulk packaging. See order information below.



Minimum order quantity		1	1	1	1	
Consumable type	Torch type	Retaining cap	Nozzle	Electrode	Swirl ring	
HyAccess drag-cutting (30-65 A)	Hand	420413	420410	420408	220857	
HyAccess gouging (30-55 A)			420412			
Quantity in kit		1	1	1	2	1
HyAccess kit - 428414 (30-65 A)	Hand	420413	420410 (cutting)	420412 (gouging)	420408	220857
HyAccess cutting only starter pack - 428445 ⁴						
HyAccess gouging only starter pack - 428446 ⁵						



Warning: The Duramax HyAccess (65 amps and below) consumables should not be operated above 65 amps

⁴Starter pack contains 1 retaining cap (420413), 1 cutting nozzle (420410) and 1 electrode (420408)

⁵Starter pack contains 1 retaining cap (420413), 1 gouging nozzle (420412) and 1 electrode (420408)

Duramax® consumable bulk kits

Order quantity	25	25	25	25	25	10
Bulk kit part number	228934	228767	228765	228762	228761	228763
Contents	220777 electrode	220842 electrode	220941 nozzle	220797 nozzle	220930 nozzle	220817 shield




Duramax® HRT hand torch parts

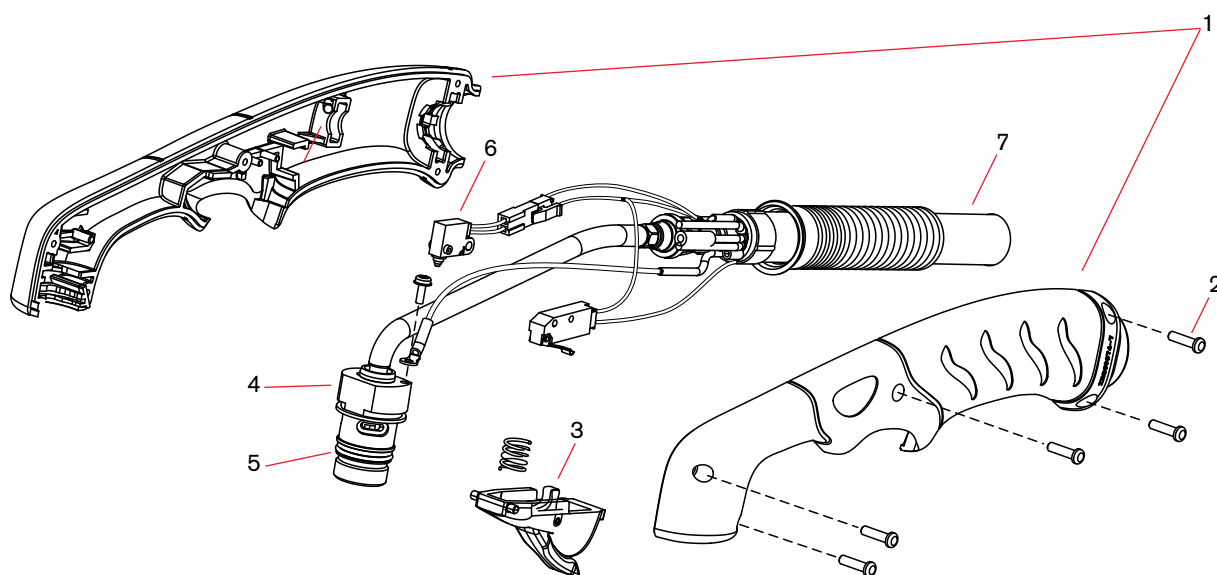


Duramax HRT hand torch parts

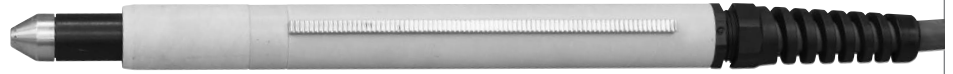
Item	Part number	Description
	228916 ¹	HRT hand torch assembly with 7.6 m (25') lead
	228917 ¹	HRT hand torch assembly with 15.2 m (50') lead
	228918 ¹	HRT hand torch assembly with 7.6 m (25') lead, without quick disconnect
	228919¹	HRT hand torch assembly with 15.2 m (50') lead, without quick disconnect
1	228954	Kit: Duramax 75°/HRT Torch handle replacement
2	075714	Handle screws, #4 x 1/2 slotted TORX pan head, S/B
3	228721	Kit: Duramax 75°/Duramax 15°/HRT (spring and trigger assembly)
4	228950	Kit: HRT Torch main body replacement
5	058519	O-ring
6	228719	Kit: Duramax 75°/HRT Cap-sensor switch replacement
7	228924	Kit: HRT Torch lead replacement, 7.6 m (25')
7	228925	Kit: HRT Torch lead replacement, 15.2 m (50')
7	228926	Kit: HRT Torch lead replacement, 7.6 m (25'), without quick disconnect
7	228927	Kit: HRT Torch lead replacement, 15.2 m (50'), without quick disconnect
	128926	Kit: Quick disconnect repair (regional repair centers only)

¹Assembly includes a variety of Duramax consumables.

 Selected torches and repair parts are no longer available. System upgrade is recommended. See pages 4-5 for systems by amperage



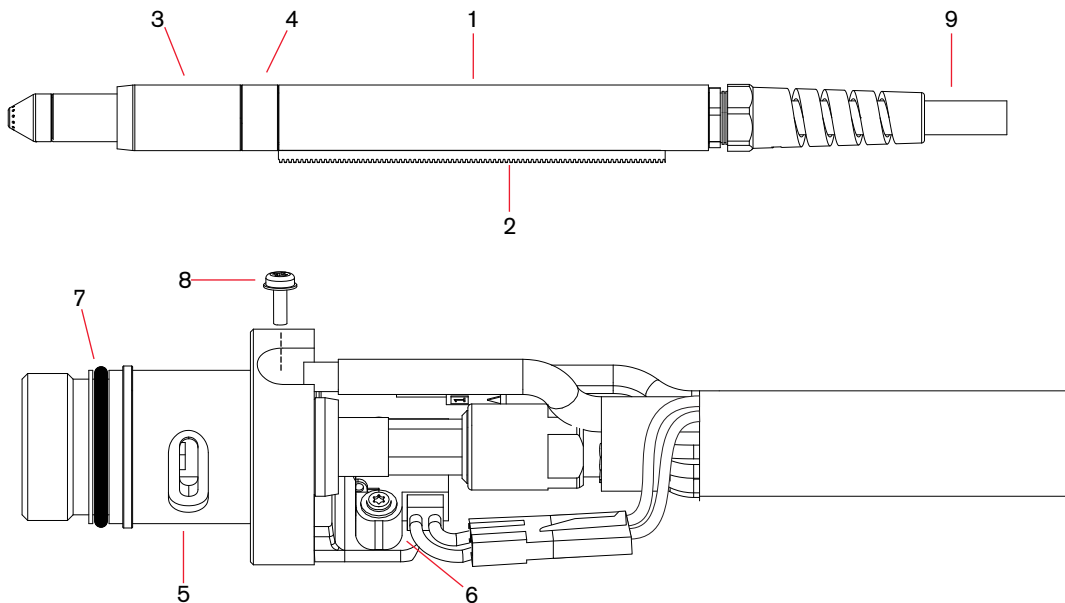
Duramax® MRT machine torch parts



Duramax MRT machine torch parts

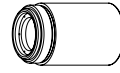
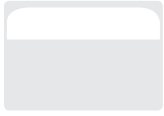
Item	Part number	Description
	228920*	MRT machine torch assembly with 7.6 m (25') lead
	228921*	MRT machine torch assembly with 15.2 m (50') lead
	228922*	MRT machine torch assembly with 7.6 m (25') lead, without quick disconnect
1	228737	Kit: Duramax 180°/MRT positioning sleeve
2	228738	Kit: Duramax 180°/MRT removable gear rack
3	228735	Kit: Duramax 180°/Duramax 180° mini/MRT front mounting sleeve
4	228736	Kit: Duramax 180°/Duramax 180° mini/MRT adapter ring (coupler)
5	228793	Kit: MRT torch main body replacement
6	228720	Kit: Cap-sensor switch replacement (includes screws)
7	058519	O-ring
8	075504	Pilot terminal screw
9	228928	Kit: MRT torch lead replacement, 7.6 m (25')
9	228929	Kit: MRT torch lead replacement, 15.2 m (50')
9	228930	Kit: MRT torch lead replacement, 7.6 m (25'), without quick disconnect
9	228931	Kit: MRT torch lead replacement, 15.2 m (50'), without quick disconnect
	128926	Kit: Quick disconnect repair (regional repair centers only)

*Assembly includes a variety of Duramax consumables.



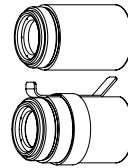
RT60/RT60M retrofit torch

For Powermax600®/Powermax800®/Powermax900® and MAX42/MAX43®



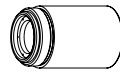
Minimum order quantity			1	1	5	5	1
Consumable type	Torch type	Amperage	Shield/Deflector	Retaining cap	Nozzle	Electrode	Swirl ring
Shielded	Hand	40	120929 ¹	120928	120932 ¹	120926 ¹	120925
		60			120931 ¹		

¹Consumable available in bulk packaging. See order information on next page.



Minimum order quantity			1	1	5	5	1
Consumable type	Torch type	Amperage	Shield/Deflector	Retaining cap	Nozzle	Electrode	Swirl ring
Mechanized	Machine	40	120930 ¹	120928	120932 ¹	120926 ¹	120925
		60		220061 (ohmic)	120931 ¹		

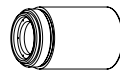
¹Consumable available in bulk packaging. See order information on next page.



Minimum order quantity			1	1	5	5	1
Consumable type	Torch type	Amperage	Shield/Deflector	Retaining cap	Nozzle	Electrode	Swirl ring
Unshielded ²	Hand/Machine	40	120979	120928	220006	120926 ¹	120925
		60			220007		

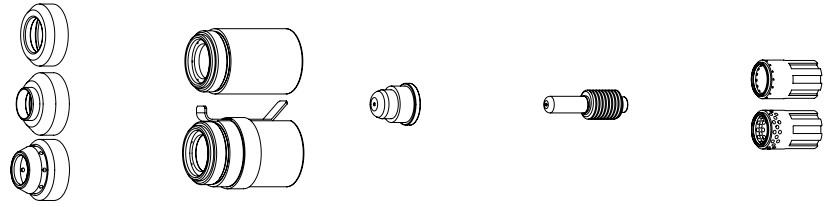
¹Consumable available in bulk packaging. See order information on next page.

²In countries following CE standards, unshielded consumables may only be used in mechanized torch applications.



Minimum order quantity			1	1	5	5	1
Consumable type	Torch type	Amperage	Shield/Deflector	Retaining cap	Nozzle	Electrode	Swirl ring
Gouging	Hand/Machine	60	120977	120928	220059	120926 ¹	120925

¹Consumable available in bulk packaging. See order information on next page.



Minimum order quantity		1	1	5	5	1	
Consumable type	Torch type	Amperage	Shield/Deflector	Retaining cap	Nozzle	Electrode	Swirl ring
FineCut®	Hand	40	120979	120928	220329	120926 ¹	220327
		40 CE ²	220325				
	Machine	40	120979 220404 (ohmic)	120928 220061 (ohmic)			120925
		40 CE	220325 220404 (ohmic)				

¹Consumable available in bulk packaging. See order information on next page.

²CE Shield for use in countries requiring CE,CCC,GOST marks.

Consumable bulk kits

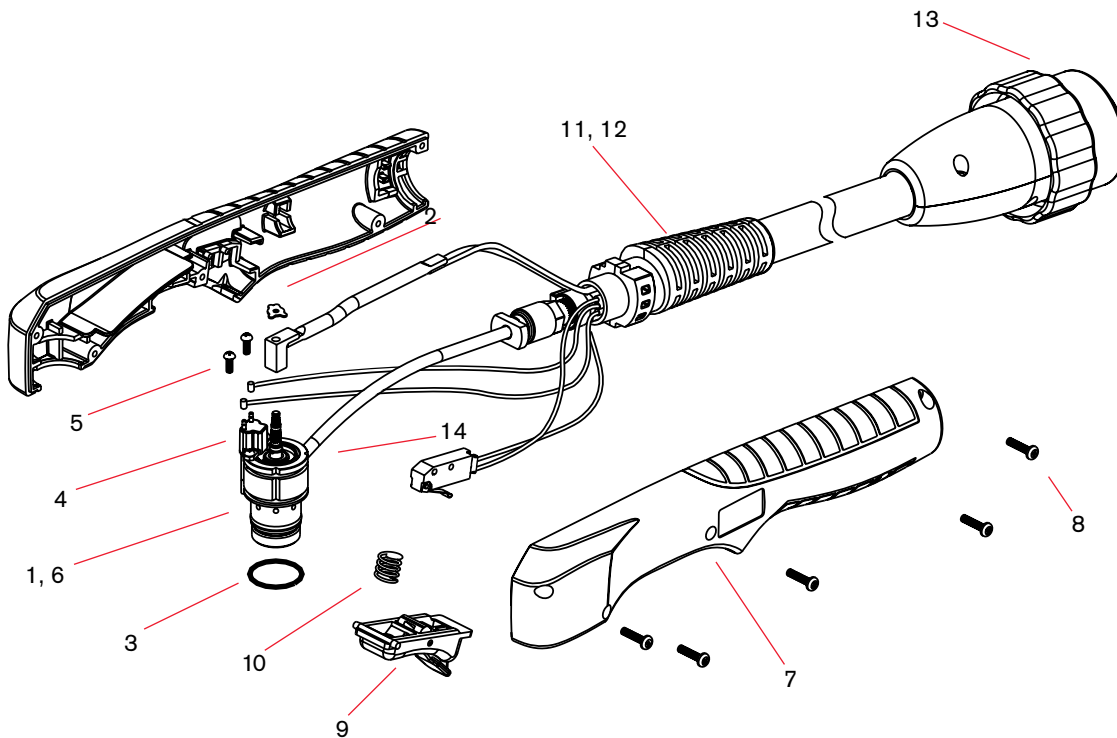
Order quantity	25	25	25	10	10
Bulk kit part number	228437	228440	228441	228439	228601
Contents	120926 electrode	120931 nozzle	120932 nozzle	120929 shield	120930 shield

RT60 hand torch parts



RT60 hand torch parts

Item	Part number	Description
1	128564	Torch main body
2	027889	Retaining clip
3	058519	O-ring
4	128639	Kit: cap-off sensor replacement
5	075571	Cap-off sensor screws
6	128521	Kit: torch head repair (does not include head, includes screws)
7	128644	Kit: handle
8	075586	Handle screws
9	002244	Safety trigger
10	027254	Spring
13	128926	Kit: RT60/RT60M quick disconnect repair
14	128642	Kit: Start switch replacement

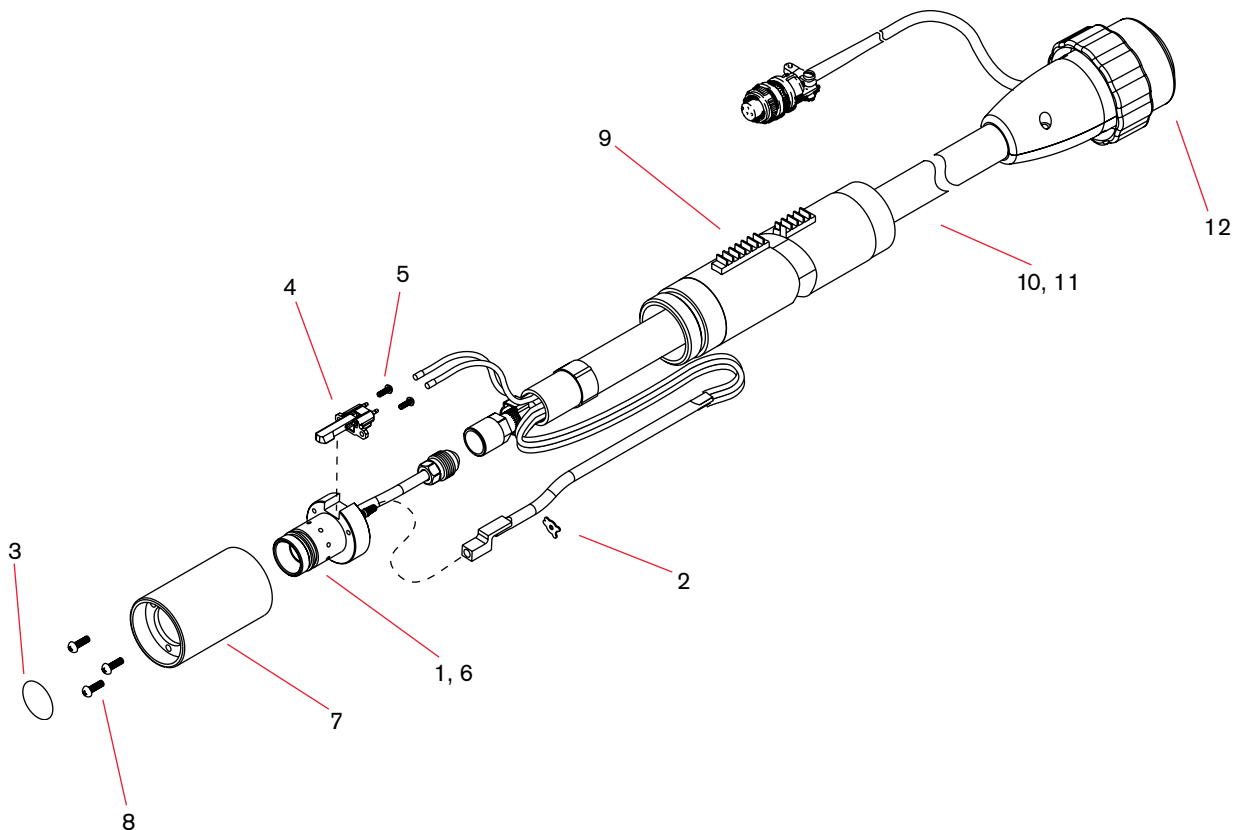


RT60M machine torch parts



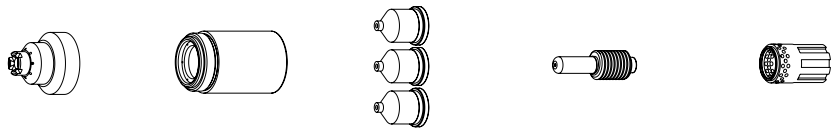
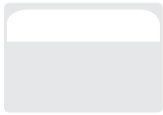
RT60M machine torch parts

Item	Part number	Description
2	027889	Retaining clip
3	058519	O-ring
4	128639	Kit: cap-off sensor replacement
5	075571	Cap-off sensor screw
6	128521	Kit: torch head repair (does not include head, includes screws)
7	128643	Kit: torch mounting sleeve replacement
8	075618	Torch mounting screw
9	128710	Torch positioning sleeve
12	128926	Kit: RT60/RT60M quick disconnect repair
	128645	Torch mounting kit (for reassembly after installation)



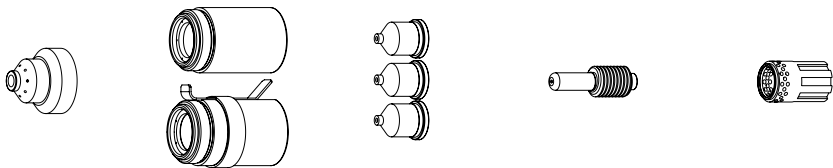
RT80/RT80M retrofit torch

For Powermax1100®



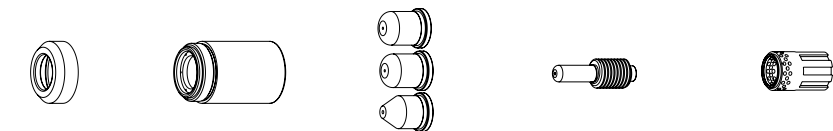
Minimum order quantity			1	1	5	5	1
Consumable type	Torch type	Amperage	Shield/Deflector	Retaining cap	Nozzle	Electrode	Swirl ring
Shielded	Hand	40	120929 ¹	120928	120932 ¹	120926 ¹	120925
		60			120931 ¹		
		80			120927 ¹		

¹Consumable available in bulk packaging. See order information on next page.



Minimum order quantity			1	1	5	5	1
Consumable type	Torch type	Amperage	Shield/Deflector	Retaining cap	Nozzle	Electrode	Swirl ring
Mechanized	Machine	40	120930 ¹	120928 220061 (ohmic)	120932 ¹	120926 ¹	120925
		60			120931 ¹		
		80			120927 ¹		

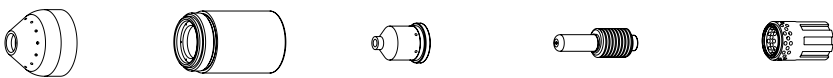
¹Consumable available in bulk packaging. See order information on next page.



Minimum order quantity			1	1	5	5	1
Consumable type	Torch type	Amperage	Shield/Deflector	Retaining cap	Nozzle	Electrode	Swirl ring
Unshielded ²	Hand/Machine	40	120979	120928	220006	120926 ¹	120925
		60			220007		
		80			120980		

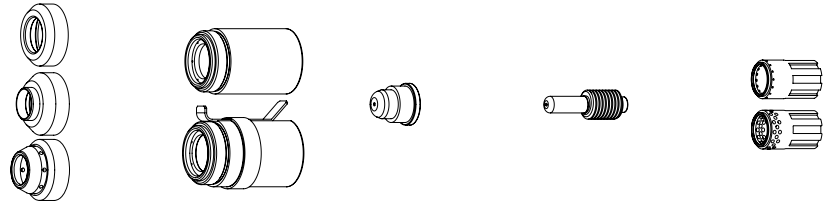
¹Consumable available in bulk packaging. See order information on next page.

²In countries following CE standards, unshielded consumables may only be used in mechanized torch applications.



Minimum order quantity			1	1	5	5	1
Consumable type	Torch type	Amperage	Shield/Deflector	Retaining cap	Nozzle	Electrode	Swirl ring
Gouging	Hand/Machine	60-80	120977	120928	220059	120926 ¹	120925

¹Consumable available in bulk packaging. See order information on next page.



Minimum order quantity		1	1	5	5	1	
Consumable type	Torch type	Amperage	Shield/Deflector	Retaining cap	Nozzle	Electrode	Swirl ring
FineCut®	Hand	40	120979	120928	220329	120926 ¹	220327
		40 CE ²	220325				120925
	Machine	40	120979 220404 (ohmic)	120928 220061 (ohmic)			
		40 CE	220325 220404 (ohmic)				

¹Consumable available in bulk packaging. See order information on next page.

²CE Shield for use in countries requiring CE,CCC,GOST marks.

Consumable bulk kits

Order quantity	25	25	25	25	10	10
Bulk kit part number	228437	228440	228441	228438	228439	228601
Contents	120926 electrode	120931 nozzle	120932 nozzle	120927 nozzle	120929 shield	120930 shield


RT80 hand torch parts

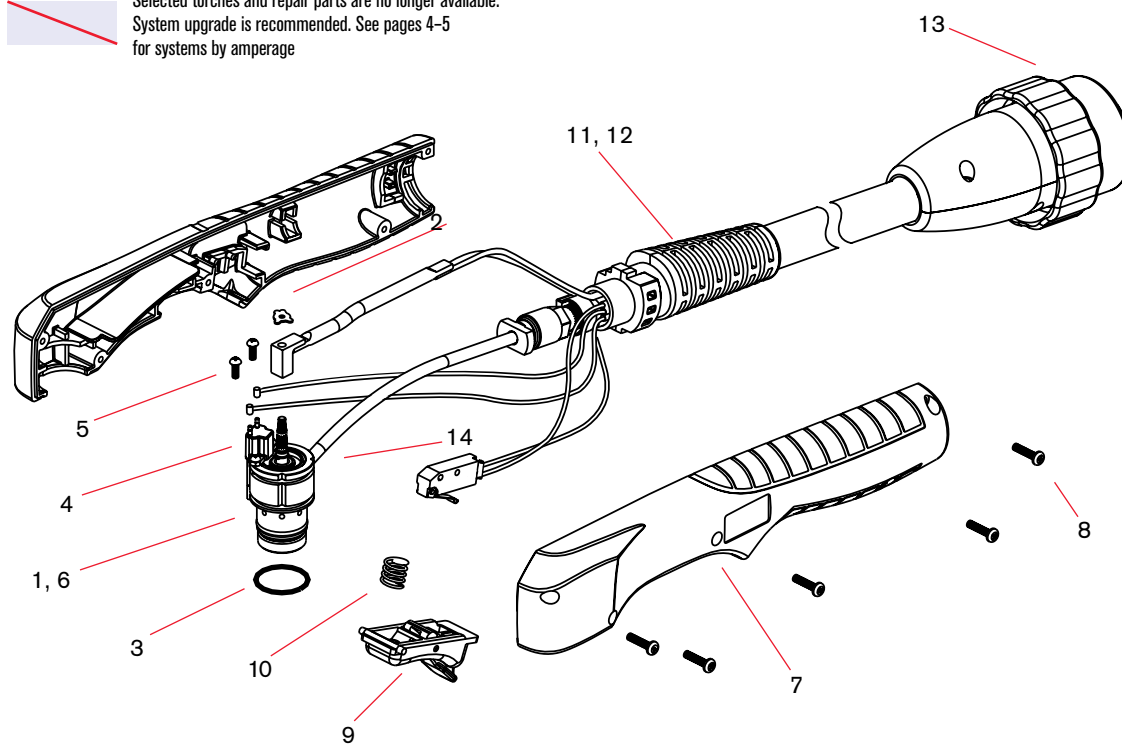


RT80 hand torch parts

Item	Part number	Description
	087033 ¹	RT80 hand torch assembly with 7.6 m (25') leads
	087034¹	RT80 hand torch assembly with 15.2 m (50') leads
1	128564	Kit: torch main body replacement (does not include cap sensor)
2	027889	Retaining clip
3	058519	O-ring
4	128639	Kit: cap-off sensor replacement
5	075571	Cap-off sensor screw
6	128521	Kit: torch head repair (does not include head, includes screws)
7	128644	Kit: handle
8	075586	Handle screw
9	002244	Safety trigger
10	027254	Trigger spring
11	128829	Torch lead replacement, 7.6 m (25')
12	128830	Torch lead replacement, 15.2 m (50')
13	128826	Kit: quick disconnect repair
14	128642	Kit: start switch replacement

¹Assembly includes consumables.

 Selected torches and repair parts are no longer available. System upgrade is recommended. See pages 4-5 for systems by amperage




RT80M machine torch parts

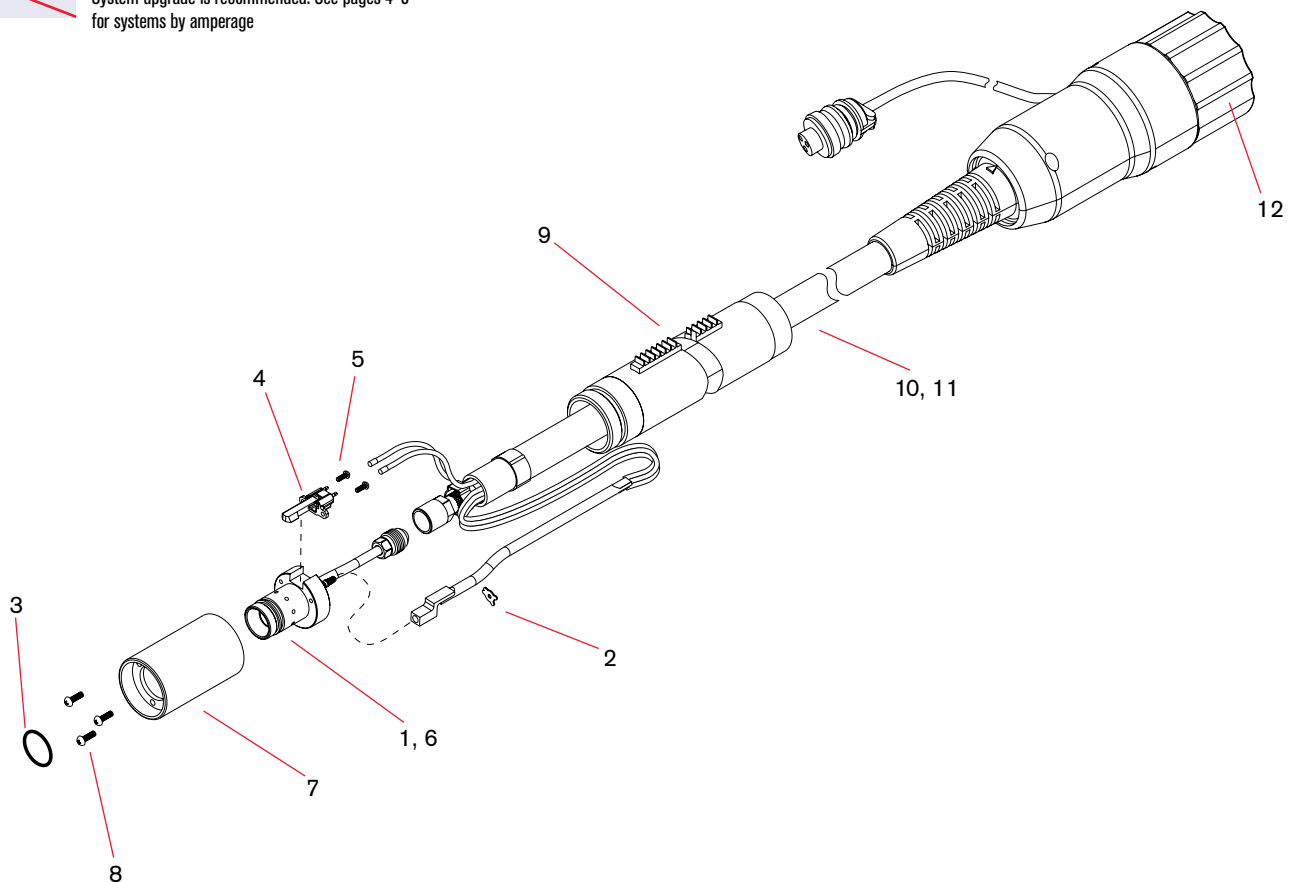


RT80M machine torch parts

Item	Part number	Description
	087035 ¹	RT80M machine torch assembly with 7.6 m (25') leads
	087036	RT80M machine torch assembly with 15.2 m (50') leads
1	128640	Kit: torch main body replacement (does not include cap sensor)
2	027889	Retaining clip
3	058519	O-ring
4	128639	Kit: cap-off sensor replacement
5	075571	Cap-off sensor screw
6	128521	Kit: torch head repair (does not include head, includes screws)
7	128643	Kit: torch mounting sleeve replacement
8	075618	Torch mounting screw
9	128710	Torch positioning sleeve
10	128827	Torch lead replacement, 7.6 m (25')
11	128828	Torch lead replacement, 15.2 m (50')
12	128926	Kit: quick disconnect repair
	128645	Torch mounting kit (for reassembly after installation)

¹Assembly includes consumables.

 Selected torches and repair parts are no longer available. System upgrade is recommended. See pages 4-5 for systems by amperage



Powermax® bulk pack consumables

Contents of package	Bulk part number (SKU, order number)	Part type	Quantity
120926	228437	Electrode	25
120927	228438	Nozzle	25
120929	228439	Shield	10
120930	228601	Shield	10
120931	228440	Nozzle	25
120932	228441	Nozzle	25
220011	228442	Nozzle	25
220037	228443	Electrode	25
220047	228600	Shield	10
220065	228444	Shield	10
220669	228844	Electrode	25
220671	228843	Nozzle	25
220673	228845	Shield	10
220777	228934	Electrode	25
220797	228762	Nozzle	25
220816	228760	Nozzle	25
220817	228763	Shield	10
220818	228764	Shield	10
220819	228759	Nozzle	25
220842	228767	Electrode	25
220930	228761	Nozzle	25
220941	228765	Nozzle	25
220990	228797	Nozzle	25
220991	228796	Nozzle	25
220992	228798	Shield	10
220993	228799	Shield	10



Appendix

In 2012, Hypertherm initiated a product lifecycle management process for legacy MAX® and Powermax® systems designed to provide customers with a path for upgrading their torch and consumables to maximize performance and ensure overall product satisfaction. Retrofit torch options to replace the original torches that are no longer available are summarized by system in the charts below.

Please also refer to the systems and torch series by amperage charts found on pages 4 and 5 of the catalog for additional information on torch series availability and recommended system upgrade paths for legacy MAX and Powermax systems.

MAX42® and MAX43® systems Duramax® retrofit torches

Original part number	Description	Duramax part number	Replacement description
071069	PAC121P/43 hand torch assembly 25'	228916	Duramax RT hand torch assembly 25'
071070	PAC121P/43 hand torch assembly 50'	228917	Duramax RT hand torch assembly 50'
083215	RT60 hand torch assembly 25'	228916	Duramax RT hand torch assembly 25'
083216	RT60 hand torch assembly 50'	228917	Duramax RT hand torch assembly 50'
083217	RT60M machine torch assembly 25'	228920	Duramax RT mechanized torch assembly 25'
083218	RT60M machine torch assembly 50'	228921	Duramax RT mechanized torch assembly 50'

Powermax600® Duramax® retrofit torches

Original part number	Description	Duramax part number	Replacement description
086001	PAC123T hand torch assembly 15'	228918	Duramax RT hand torch assembly 25' (no QDisc)
086002	PAC123T hand torch assembly 25'	228918	Duramax RT hand torch assembly 25' (no QDisc)
086003	PAC123T hand torch assembly 50'	Not available	Duramax RT hand torch assembly 50' (no QDisc)
086004	PAC123M machine torch assembly 15'	228922	Duramax RT mechanized torch assembly 25' (no QDisc)
086005	PAC123M machine torch assembly 25'	228922	Duramax RT mechanized torch assembly 25' (no QDisc)
086006	PAC123M machine torch assembly 50'	228922	Duramax RT mechanized torch assembly 25' (no QDisc)
086023	PAC123T hand torch assembly 15' QDisc	228916	Duramax RT hand torch assembly 25'
086024	PAC123T hand torch assembly 25' QDisc	228917	Duramax RT hand torch assembly 50'
086025	PAC123T hand torch assembly 50' QDisc	228916	Duramax RT hand torch assembly 25'
086026	PAC123M machine torch assembly 15' QDisc	228920	Duramax RT mechanized torch assembly 25'
086027	PAC123M machine torch assembly 25' QDisc	228921	Duramax RT mechanized torch assembly 50'
086029	PAC123M machine torch assembly 50' QDisc	228921	Duramax RT mechanized torch assembly 50' (no QDisc)
083215	RT60 hand torch assembly 25'	228916	Duramax RT hand torch assembly 25'
083216	RT60 hand torch assembly 50'	228917	Duramax RT hand torch assembly 50'
083217	RT60M machine torch assembly 25'	228920	Duramax RT mechanized torch assembly 25'
083218	RT60M machine torch assembly 50'	228921	Duramax RT mechanized torch assembly 50'

Powermax800® and Powermax900® Duramax® retrofit torches

Original part number	Description	Duramax part number	Replacement description
083066	PAC125T hand torch assembly 25'	228916	Duramax RT hand torch assembly 25'
083067	PAC125T hand torch assembly 50'	228917	Duramax RT hand torch assembly 50'
083068	PAC125M machine torch assembly 25'	228920	Duramax RT mechanized torch assembly 25'
083069	PAC125M machine torch assembly 15'	228920	Duramax RT mechanized torch assembly 25'
083070	PAC125M machine torch assembly 35' QDisc	228921	Duramax RT mechanized torch assembly 50'
083071	PAC125M machine torch assembly 50' QDisc	228921	Duramax RT mechanized torch assembly 50'
083072	PAC125M machine torch assembly no-PGT 25'	228920	Duramax RT mechanized torch assembly 25'
083073	PAC125M machine torch assembly no-PGT 15'	228920	Duramax RT mechanized torch assembly 25'
083074	PAC125M machine torch assembly no-PGT 35'	228921	Duramax RT mechanized torch assembly 50'
083075	PAC125M machine torch assembly no-PGT 50'	228921	Duramax RT mechanized torch assembly 50'
083127	PAC125T-40A hand torch assembly 15'	228916	Duramax RT hand torch assembly 25'
083128	PAC125T-40A hand torch assembly 25'	228916	Duramax RT hand torch assembly 25'
083129	PAC125T-40A hand torch assembly 50'	228917	Duramax RT hand torch assembly 50'
083130	PAC125T-50A hand torch assembly 25'	228916	Duramax RT hand torch assembly 25'
083131	PAC125T-50A hand torch assembly 50'	228917	Duramax RT hand torch assembly 50'
083133	PAC125M-40A machine torch assembly 25'	228920	Duramax RT mechanized torch assembly 25'
083135	PAC125M-40A machine torch assembly 50'	228921	Duramax RT mechanized torch assembly 50'
083136	PAC125M-50A machine torch assembly 14'	228920	Duramax RT mechanized torch assembly 25'
083137	PAC125M-50A machine torch assembly 25'	228920	Duramax RT mechanized torch assembly 25'
083138	PAC125M-50A machine torch assembly 35'	228921	Duramax RT mechanized torch assembly 50'
083139	PAC125M-50A machine torch assembly 50'	228921	Duramax RT mechanized torch assembly 50'
083140	PAC125M-50A machine torch no-PGTL 14'	228920	Duramax RT mechanized torch assembly 25'
083141	PAC125M-50A machine torch no-PGTL 25'	228920	Duramax RT mechanized torch assembly 25'
083142	PAC125M-50A machine torch no-PGTL 35'	228921	Duramax RT mechanized torch assembly 50'
083143	PAC125M-50A machine torch no-PGTL 50'	228921	Duramax RT mechanized torch assembly 50'
083145	PAC125M machine torch 35 mm SLV 25' QDisc	N/A	
083148	PAC125M machine torch 35 mm SLV 50' QDisc	N/A	
083215	RT60 hand torch assembly 25'	228916	Duramax RT hand torch assembly 25'
083216	RT60 hand torch assembly 50'	228917	Duramax RT hand torch assembly 50'
083217	RT60M machine torch assembly 25'	228920	Duramax RT mechanized torch assembly 25'
083218	RT60M machine torch assembly 50'	228921	Duramax RT mechanized torch assembly 50'

Powermax1000® T100 replacement torches

Original part number	Description	T100 part number	T100 replacement description
083171	T60 hand torch assembly 50'		Not available
083172	T60 hand torch assembly 25'		Not available
083174	T60M machine torch 60A 25'		Not available
083175	T60M machine torch 60A 15'		Not available
083176	T60M machine torch 60A 35'		Not available
083177	T60M machine torch 60A 50'		Not available
083200	T60M machine torch 60A 35 mm 50'		Not available
083201	T60M machine torch 60A 35 mm 35'		Not available
083202	T60M machine torch 60A 35 mm 15'		Not available
083203	T60M machine torch 60A 35 mm 25'		Not available
083208	T60 hand torch assembly 75'		Not available
083209	T60M machine torch 60A 75'		Not available
083214	T60M machine torch 60A 35 mm 75'		Not available
083226	T60M-2 machine torch 60A 75'		Not available
083232	T60M machine torch ohmic 25'		Not available
083233	T60M machine torch ohmic 50'		Not available
083244	T60M-2 machine torch assembly 35 mm 75'		Not available

Powermax1000® Duramax® retrofit torches

Original part number	Description	Duramax part number	Replacement description
083171	T60 hand torch assembly 50'	228789	Duramax HRT handheld 50'
083172	T60 hand torch assembly 25'	228788	Duramax HRT handheld 25'
083174	T60M machine torch 60A 25'	228790	Duramax MRT mechanized 25'
083175	T60M machine torch 60A 15'	228790	Duramax MRT mechanized 25'
083176	T60M machine torch 60A 35'	228791	Duramax MRT mechanized 50'
083177	T60M machine torch 60A 50'	228791	Duramax MRT mechanized 50'

Powermax1100® RT80 torch replacements

Original part number	Description	RT80 part number	RT80 replacement description
085001	PAC135T hand torch assembly 25' QDisc	087033	RT80 hand torch 25'
085061	PAC135T hand torch assembly 50' QDisc	Not available	RT80 hand torch 50'
085062	PAC135M machine torch assembly 14' QDisc	087035	RT80 mechanized torch 25'
085063	PAC135M machine torch assembly 25' QDisc	087035	RT80 mechanized torch 25'
085064	PAC135M machine torch assembly 35' QDisc	Not available	RT80 mechanized torch 50'
085065	PAC135M machine torch assembly 50' QDisc	Not available	RT80 mechanized torch 50'

Powermax1250® Duramax® retrofit torches

Original part number	Description	Duramax part number	Replacement description
087001	T80 hand torch assembly 25'	228788	Duramax HRT handheld 25'
087002	T80 hand torch assembly 50'	228789	Duramax HRT handheld 50'
087003	T80M machine torch 80A 15'	228790	Duramax MRT mechanized 25'
087004	T80M machine torch 80A 25'	228790	Duramax MRT mechanized 25'
087005	T80M machine torch 80A 35'	228791	Duramax MRT mechanized 50'
087006	T80M machine torch 80A 50'	228791	Duramax MRT mechanized 50'
087029	T80M machine torch 80A 35 mm 15'	Not available	
087030	T80M machine torch 80A 35 mm 25'	Not available	
087031	T80M machine torch 80A 35 mm 50'	Not available	
087032	T80M machine torch 80A 35 mm 35'	Not available	
087047	T80 hand torch assembly 75'	Not available	
087048	T80M machine torch 80A 75'	Not available	
087064	T80M-2 machine torch 80A 75'	Not available	
087065	T80M machine torch ohmic 25'	Not available	
087066	T80M machine torch ohmic 50'	Not available	
087082	T80M-2 machine torch assembly 35 mm 75'	Not available	

Powermax1250® T100 replacement torches

Original part number	Description	T100 part number	T100 replacement description
087001	T80 hand torch assembly 25'	Not available	
087002	T80 hand torch assembly 50'	Not available	
087003	T80M machine torch 80A 15'	Not available	
087004	T80M machine torch 80A 25'	Not available	
087005	T80M machine torch 80A 35'	Not available	
087006	T80M machine torch 80A 50'	Not available	
087029	T80M machine torch 80A 35 mm 15'	Not available	
087030	T80M machine torch 80A 35 mm 25'	Not available	
087031	T80M machine torch 80A 35 mm 50'	Not available	
087032	T80M machine torch 80A 35 mm 35'	Not available	
087047	T80 hand torch assembly 75'	Not available	
087048	T80M machine torch 80A 75'	Not available	
087064	T80M-2 machine torch 80A 75'	Not available	
087065	T80M machine torch ohmic 25'	Not available	
087066	T80M machine torch ohmic 50'	Not available	
087082	T80M-2 machine torch assembly 35 mm 75'	Not available	

Powermax1650® Duramax® replacement torches

Original part number	Description	Duramax part number	Replacement description
059264	T100 hand torch assembly 25'	228788	Duramax HRT handheld 25'
059270	T100 hand torch assembly 50'	228789	Duramax HRT handheld 50'
059299	T100 hand torch assembly 75'	Not available	
059315	T100M-2 machine torch assembly 25'	228790	Duramax MRT mechanized 25'
059324	T100M-2 machine torch assembly 35'	228791	Duramax MRT mechanized 50'
059325	T100M-2 machine torch assembly 50'	228791	Duramax MRT mechanized 50'
059326	T100M-2 machine torch assembly 75'	Not available	
059333	T100M-2 machine torch assembly 35 mm 25'	228790	Duramax MRT mechanized 25'
059334	T100M-2 machine torch assembly 35 mm 35'	228791	Duramax MRT mechanized 50'
059335	T100M-2 machine torch assembly 35 mm 50'	228791	Duramax MRT mechanized 50'
059336	T100M-2 machine torch assembly 35 mm 75'	Not available	

Powermax1650® T100 replacement torches

Original part number	Description	T100 part number	T100 replacement description
059264	T100 hand torch assembly 25'	Not available	
059270	T100 hand torch assembly 50'	Not available	
059299	T100 hand torch assembly 75'	Not available	
059315	T100M-2 machine torch assembly 25'	Not available	
059324	T100M-2 machine torch assembly 35'	Not available	
059325	T100M-2 machine torch assembly 50'	Not available	
059326	T100M-2 machine torch assembly 75'	Not available	
059333	T100M-2 machine torch assembly 35 mm 25'	Not available	
059334	T100M-2 machine torch assembly 35 mm 35'	Not available	
059335	T100M-2 machine torch assembly 35 mm 50'	Not available	
059336	T100M-2 machine torch assembly 35 mm 75'	Not available	

Powermax65® Duramax® replacement torches

Original part number	Description	Duramax part number	Replacement description
083247	Powermax65 75° hand torch assembly 25'	059473	Powermax65/85/105 75° hand torch assembly 25'
083248	Powermax65 75° hand torch assembly 50'	059474	Powermax65/85/105 75° hand torch assembly 50'
083249	Powermax65 75° hand torch assembly 75'	059475	Powermax65/85/105 75° hand torch assembly 75'
083251	Powermax65 15° hand torch assembly 25'	059470	Powermax65/85/105 15° hand torch assembly 25'
083252	Powermax65 15° hand torch assembly 50'	059471	Powermax65/85/105 15° hand torch assembly 50'
083253	Powermax65 15° hand torch assembly 75'	059472	Powermax65/85/105 15° hand torch assembly 75'
083254	Powermax65 180° machine torch assembly 15'	059476	Powermax65/85/105 180° machine torch assembly 15'
083255	Powermax65 180° machine torch assembly 25'	059477	Powermax65/85/105 180° machine torch assembly 25'
083256	Powermax65 180° machine torch assembly 35'	059478	Powermax65/85/105 180° machine torch assembly 35'
083257	Powermax65 180° machine torch assembly 50'	059479	Powermax65/85/105 180° machine torch assembly 50'
083258	Powermax65 180° machine torch assembly 75'	059480	Powermax65/85/105 180° machine torch assembly 75'
083259	Powermax65 180° mini machine torch assembly 15'	059481	Powermax65/85/105 180° mini machine torch assembly 15'
083260	Powermax65 180° mini machine torch assembly 25'	059482	Powermax65/85/105 180° mini machine torch assembly 25'
083261	Powermax65 180° mini machine torch assembly 35'	059483	Powermax65/85/105 180° mini machine torch assembly 35'
083262	Powermax65 180° mini machine torch assembly 50'	059484	Powermax65/85/105 180° mini machine torch assembly 50'
083263	Powermax65 180° mini machine torch assembly 75'	Not available	

Powermax85® Duramax® replacement torches

Original part number	Description	Duramax part number	Replacement description
087085	Powermax85 75° hand torch assembly 25'	059473	Powermax65/85/105 75° hand torch assembly 25'
087086	Powermax85 75° hand torch assembly 50'	059474	Powermax65/85/105 75° hand torch assembly 50'
087087	Powermax85 75° hand torch assembly 75'	059475	Powermax65/85/105 75° hand torch assembly 75'
087089	Powermax85 15° hand torch assembly 25'	059470	Powermax65/85/105 15° hand torch assembly 25'
087090	Powermax85 15° hand torch assembly 50'	059471	Powermax65/85/105 15° hand torch assembly 50'
087091	Powermax85 15° hand torch assembly 75'	059472	Powermax65/85/105 15° hand torch assembly 75'
087092	Powermax85 180° machine torch assembly 15'	059476	Powermax65/85/105 180° machine torch assembly 15'
087093	Powermax85 180° machine torch assembly 25'	059477	Powermax65/85/105 180° machine torch assembly 25'
087094	Powermax85 180° machine torch assembly 35'	059478	Powermax65/85/105 180° machine torch assembly 35'
087095	Powermax85 180° machine torch assembly 50'	059479	Powermax65/85/105 180° machine torch assembly 50'
087096	Powermax85 180° machine torch assembly 75'	059480	Powermax65/85/105 180° machine torch assembly 75'
087097	Powermax85 180° mini machine torch assembly 15'	059481	Powermax65/85/105 180° mini machine torch assembly 15'
087098	Powermax85 180° mini machine torch assembly 25'	059482	Powermax65/85/105 180° mini machine torch assembly 25'
087099	Powermax85 180° mini machine torch assembly 35'	059483	Powermax65/85/105 180° mini machine torch assembly 35'
087100	Powermax85 180° mini machine torch assembly 50'	059484	Powermax65/85/105 180° mini machine torch assembly 50'
087101	Powermax85 180° mini machine torch assembly 75'	Not available	








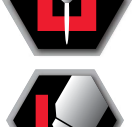

Powermax65® and Powermax85® torch and lead replacement kits

Original part number	Description	Duramax part number	Replacement description
228717	Kit:H65/H85/HRT torch handle replacement	228954	Kit:Duramax HT/HRT torch handle replacement
228718	Kit:H65s/H85s torch handle replacement	228955	Kit:Duramax HTS/HRTS torch handle replacement
228723	Kit:H65/H85 torch lead replacement, 25'	Not available	
228724	Kit:H65/H85 torch lead replacement, 50'	Not available	
228725	Kit:H65/H85 torch lead replacement, 75'	Not available	
228727	Kit:H65s/H85s torch lead replacement, 25'	228959	Kit:Duramax hand torch lead replacement 25'
228728	Kit:H65s/H85s torch lead replacement, 50'	228960	Kit:Duramax hand torch lead replacement 50'
228729	Kit:H65s/H85s torch lead replacement, 75'	228961	Kit:Duramax hand torch lead replacement 75'
228784	Kit: Duramax HRT/HRTs lead replacement 25'	228952	Kit: Duramax HRT/HRTS 1/2" coupler lead replacement 25'
228785	Kit: Duramax HRT/HRTs lead replacement 50'	228953	Kit: Duramax HRT/HRTS 1/2" coupler lead replacement 50'

Powermax®

Product line overview



		Powermax30 XP	Powermax30 AIR	Powermax45 XP	Powermax65	Powermax85	Powermax105	Powermax125
Cut capacity	Recommended	3/8"	5/16"	5/8"	3/4"	1"	1-1/4"	1-1/2"
	Severance	5/8"	5/8"	1-1/8"	1-1/4"	1-1/2"	2"	2-1/4"
	Output range	15-30	15-30	10-45	20-65	25-85	30-105	30-125
	Input phase	Single	Single	Single or three	Three	Three	Three	Three
Application capabilities	 Mechanized cutting			●	●	●	●	●
	 Drag cutting	●	●	●	●	●	●	●
	 FineCut®	●		●	●	●	●	●
	 Marking ABCD 1234			●				
	 Precision gouging			●				
	 Max control gouging			●	●	●	●	●
	 Max removal gouging				●	●	●	●
	 HyAccess™	●		●	●	●	●	●
	 FlushCut™			●	●*	●*	●*	●

*Using the 45 A FlushCut consumables above 45 amps on the Powermax65/85/105 will cause premature consumable damage.

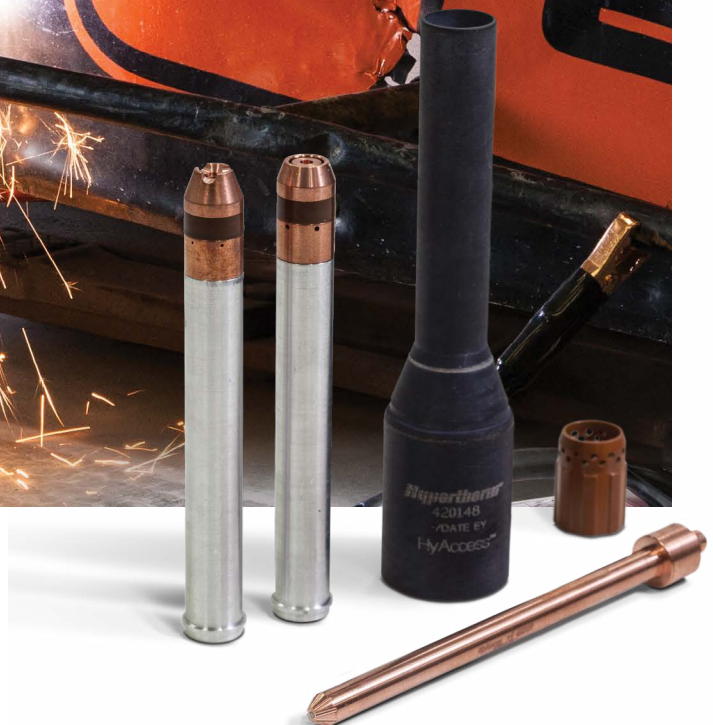


power

▶ **HYACCESS™ EXTENDED CONSUMABLES PROVIDE THE
EXTRA REACH NEEDED WHEN CUTTING OR GOUGING IN
HARD TO ACCESS OR CONFINED SPACES.**

AUTO

*Special
Thanks* **Dad**

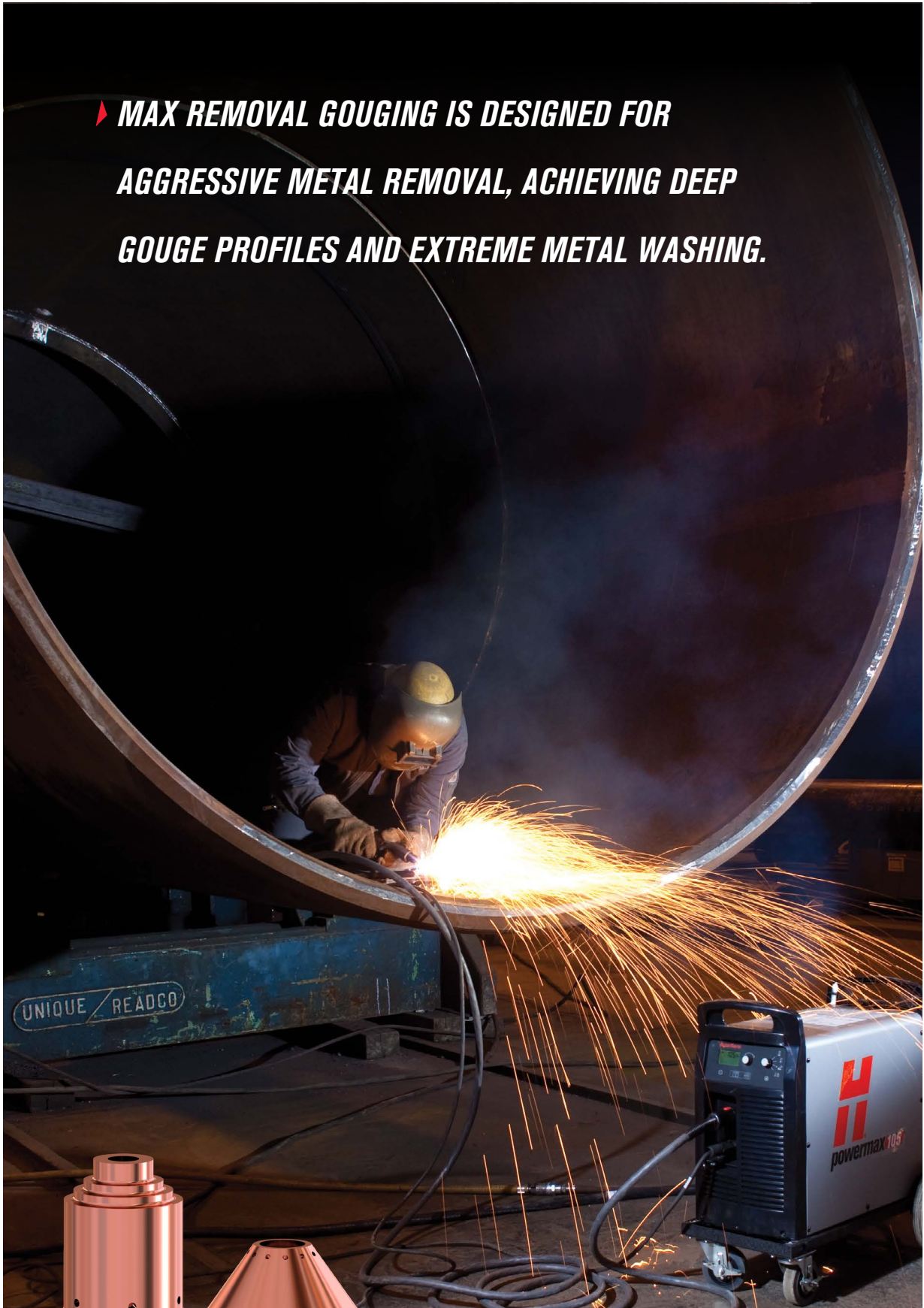




▶ THE FLUSHCUT™ PROCESS FOR SELECT POWERMAX SYSTEMS PROVIDES USERS WITH THE ABILITY TO CUT CLOSER TO BASE MATERIALS THAN EVER BEFORE.



**▶ MAX REMOVAL GOUGING IS DESIGNED FOR
AGGRESSIVE METAL REMOVAL, ACHIEVING DEEP
GOUGE PROFILES AND EXTREME METAL WASHING.**



NEW!

**▶ MAX CONTROL GOUGING IS DESIGNED FOR MORE
PRECISE METAL REMOVAL, ACHIEVING SHALLOWER
GOUGE PROFILES AND LIGHT METAL WASHING.**



**HELPING YOU
SHAPE THE WORLD.**



PLASMA | LASER | WATERJET | AUTOMATION | SOFTWARE | CONSUMABLES

For more information on Hypertherm consumables,
visit www.hypertherm.com



Hypertherm, Powermax, Duramax, FineCut, CopperPlus, HyAccess, Hyamp, SpringStart, and Conical Flow are trademarks of Hypertherm Inc. and may be registered in the United States and/or other countries.

Environmental stewardship is one of Hypertherm's core values, and it is critical to our success and our customers' success. We are striving to reduce the environmental impact of everything we do. For more information: www.hypertherm.com/environment.



© 4/2018 Hypertherm Inc. Revision 17
880200

Hypertherm®

